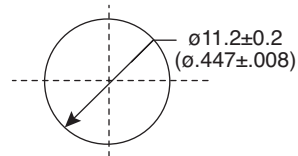
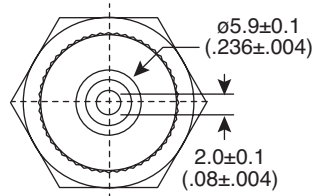


# DC Power Jack

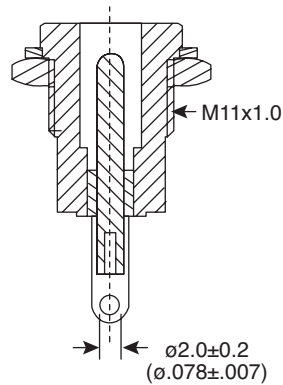
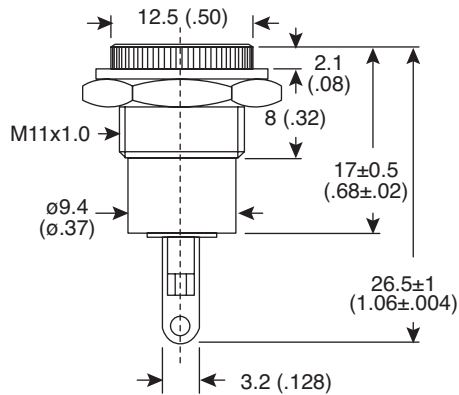
163-R123B-E



DC Power Jack



Mounting Hole



Dimensions: mm (In.)

SPECIFICATIONS	
Rating:	3A 125VAC
Insulation Resistance:	100MΩ @ 500VDC
Dielectric Strength:	1000VAC for 1 minute
Operation Temperature:	-10°C~+80°C
RoHS Compliant	

Date Last Revised: 10/4/06

Available from Mouser Electronics  
1-800-346-6873  
www.mouser.com

KC-301074

163-R123B-E

# Mouser Electronics

Authorized Distributor

Click to View Pricing, Inventory, Delivery & Lifecycle Information:

[Kobiconn:](#)

[163-R123B-E](#)