

DC POWER CONNECTORS: KLDPX Series

Panel Mount DC Power Jack

Product Features

- 2.0mm and 2.5mm
- Panel Mount
- Solder Eyelets
- Built in DC On/Off Switch
- Portable Electronic Devices
- CSA/NRTL Certified No. LR78160
- UL File No. E140125

Performance Specifications

Materials and Finish

Plastic Housing : PBT Thermoplastic,30% Glass Filled,
UL 94V-0 Rated,Black Color

Center Pin: Copper, Nickel Plated

Contact #1: Brass, Tin Plated

Contact #2: Brass, Tin Plated

Contact #3: Copper Alloy, Tin Plated

Electrical Characteristics

Contact Resistance

Before Durability Test

Between Terminals: 30 milliohms Max.

Plug to Contacts: 50 milliohms Max.

After Durability Test

Between Terminals: 60 milliohms Max.

Plug to Contacts: 100 milliohms Max.

Rated Voltage: 48V DC

Rated Current: 3.5 Amps

Insulation Resistance: 100 Megohms Min.

Dielectric Withstanding Voltage:

250V AC for 1 Minute

Mechanical Characteristics

Durability Test: 5000 Cycles

Insertion Force: 3.0kg Max.

Extraction Force: 0.3kg Min.

2D Drawing	IGES	STEP	3D PDF
Solder Profile	CofC RoHS Compliant	CofC REACH Compliant	UL Plastic File
Certificate of Origin	Check Stock	Request a Sample	Send Us An Email

Generated Part Number

Part Number Builder



Series

KLDPX-0207 - Panel Mount DC Power Jack

Diameter

A - 2.0mm Center Pin Diameter

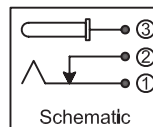
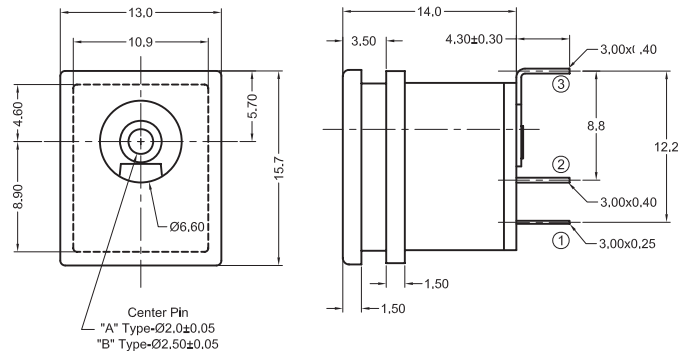
B - 2.5mm Center Pin Diameter

Contact Kycon For Other Options

KLDPX Series

Dimensions in mm

KLDPX-0207-x



Mouser Electronics

Authorized Distributor

Click to View Pricing, Inventory, Delivery & Lifecycle Information:

[Kycon:](#)

[KLDPX-0207-A](#) [KLDPX-0207-B](#)