

Customer Information Sheet

DRAWING No.: S1751-XX

SHEET 2 OF 2

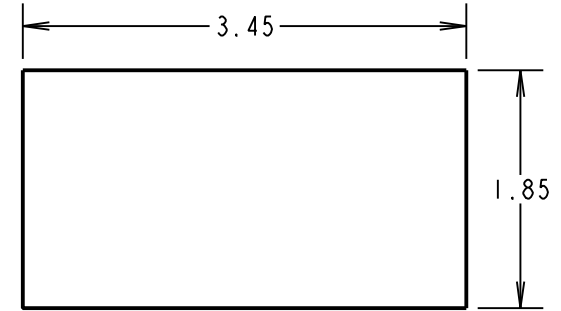
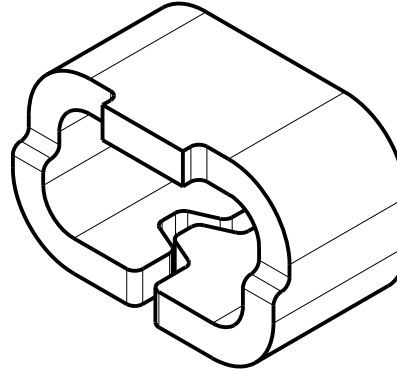
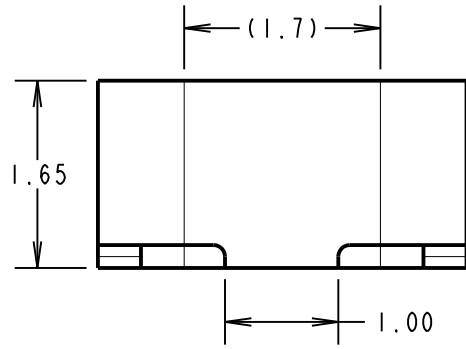
IF IN DOUBT - ASK



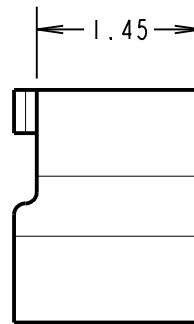
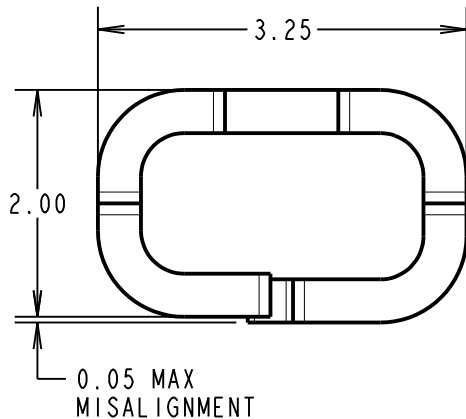
NOT TO SCALE

THIRD ANGLE PROJECTION

ALL DIMENSIONS IN mm



RECOMMENDED PAD LAYOUT



ORDER CODE	FINISH
S1751-06	TIN/LEAD
S1751-46	100% TIN

- NOTES:
- FOR TAPE AND REELED COMPONENTS, SEE DRAWING S1751-XXR.
 - PACKING: 1,000 PER BAG.

SPECIFICATIONS:
 MATERIAL = BRASS
 FINISH:
 06 = 4 μ 90/10 TIN/LEAD
 46 = 4 μ 100% TIN
 ELECTRICAL:
 CURRENT RATING = 2A MAX
 CONTACT RESISTANCE = 20m Ω MAX
 ENVIRONMENTAL:
 OPERATING TEMPERATURE = -55°C TO +125°C

MSP	7	24.10.16	20136
NAME	ISS.	DATE	C/NOTE
APPROVED:		M. PERREN	
CHECKED:		S. BENNETT	
DRAWN:		W. J. BOURNE	
CUSTOMER REF.:			
ASSEMBLY DRG:			

HARWIN

www.harwin.com
 technical@harwin.com

THIS DRAWING AND ANY INFORMATION OR DESCRIPTIVE MATTER SET OUT HEREON ARE CONFIDENTIAL AND COPYRIGHT PROPERTY OF THE HARWIN GROUP AND MUST NOT BE DISCLOSED, LOANED, COPIED OR USED FOR MANUFACTURING, TENDERING OR FOR ANY OTHER PURPOSE WITHOUT THEIR WRITTEN PERMISSION.

TOLERANCES
 X. = ± 1 mm
 X.X = ± 0.50 mm
 X.XX = ± 0.10 mm
 X.XXX = ± 0.01 mm
 ANGLES = $\pm 5^\circ$
 UNLESS STATED

MATERIAL:
 SEE ABOVE

FINISH: SEE ABOVE

S/AREA: mm²

TITLE:
 SURFACE MOUNT TEST TERMINAL
 (LOOSE)

DRAWING NUMBER:
S1751-XX

SHT
 2 OF 2

Mouser Electronics

Authorized Distributor

Click to View Pricing, Inventory, Delivery & Lifecycle Information:

[Harwin:](#)

[S1751-06](#) [S1751-06R](#) [S1751-46](#) [S1751-46R](#)