



ASIA VITAL COMPONENTS CO., LTD.
www.avc-europa.de

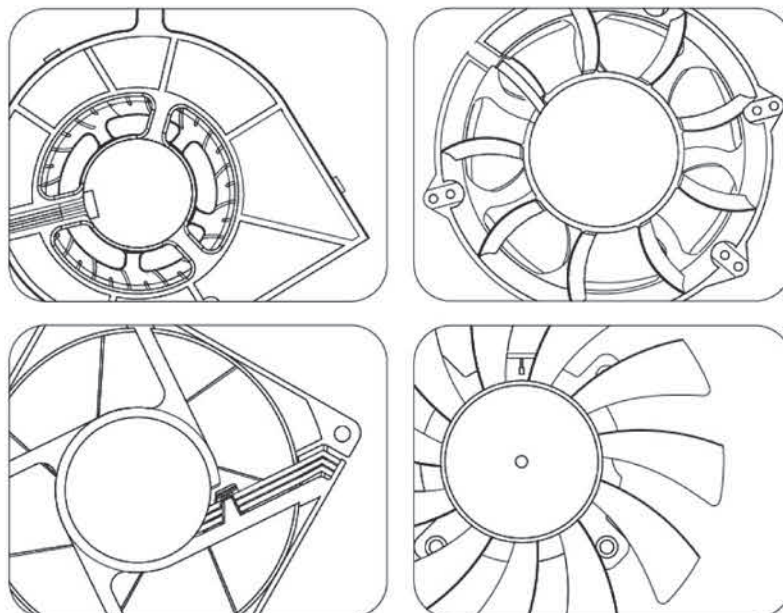


AVC FAN Ver.00 2016

Activate your Ventilation Channel

Catalog Guidance

Company Introduction	2-4
Fan Tray	5-6
Other Service and Products	7
Type of Fans	8
Fan Guidance	9
Type Code & Glossary	10
Optional Fan Features	11
General Specification Condition	12
DC Product Datasheet	14-57
Blower Product Datasheet	59-62
AC Product Datasheet	64-73
EC Product Datasheet	75



Company Introduction



Asia Vital Components Co., LTD (AVC Group) (Taiwan listed company TSE: 3017) is a global company who specialize in the total thermal solutions since 1991. Within 3 decades, we develop and manufacture the diverse product range –DC Fan, AC Fan, EC Fan, Fan Tray, Heat Sink, Heat Pipe, Vapor Chamber, and modularized total thermal solutions which are quality assured upon our strict quality system certified by ISO9001, ISO14001, OHSAS18001, S8000, ANSI/ESD S20.20, QC080000, TS-16949, and etc.

AVC group has it's headquarter based in Taiwan and more than 10,000 employees worldwide – includes 600 engineers and several branch offices globally. With the continuous innovation, AVC owns more than 1,700 technical patents.

Asia Vital Components Europa GmbH (AVC EU) is a subsidiary company of AVC group. With the professional sales team and well logistic operation, AVC EU extends the satisfactory service to the customers in EMEA regions.

Certification

We strictly implement the Quality Assurance System to every operation process to ensure that every product we deliver to your hand has the good quality, long reliability and high consistence.

- ISO 9001:2008
- QC080000
- TL9000
- TS16949
- OHSAS1800
- ISO14001



Company Introduction

Quality Engineering

AVC has the complete and sophisticated Test Labs which are with the updated advanced equipment and the Labs are certified by ISO17025.

In Performance Lab

We can perform a series of test to evaluate or verify the performance of the product prototype including : Sound Power, Sound Pressure, Sound Quality, Wind Tunnel, and Heat Transfer tests.

In Measuring Lab

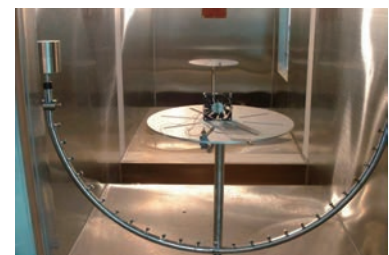
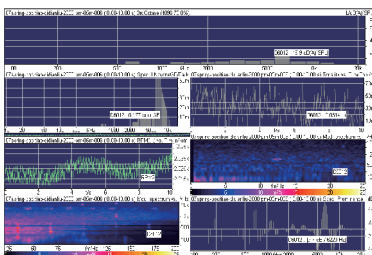
Sophisticated CMM (Coordinate Measuring Machine) instruments help us to maintain the precise physical specifications of the product.

In the Reliability Lab

AVC is capable of carrying out all kind of test to ensure the product can fulfill the strict requirements of customers. We can perform: Temperature Test (High and low temperature), Damp Test, Thermal Shock Test, Auto Monitor Life Test, Salt Mist Test, Dust Proof and Water Proof Test, Vibration Test and etc. The most advanced HALT (High Acceleration Life Test) can perform aging test in the short period and help engineer to locate design and structure problem.

In the RoHS Lab

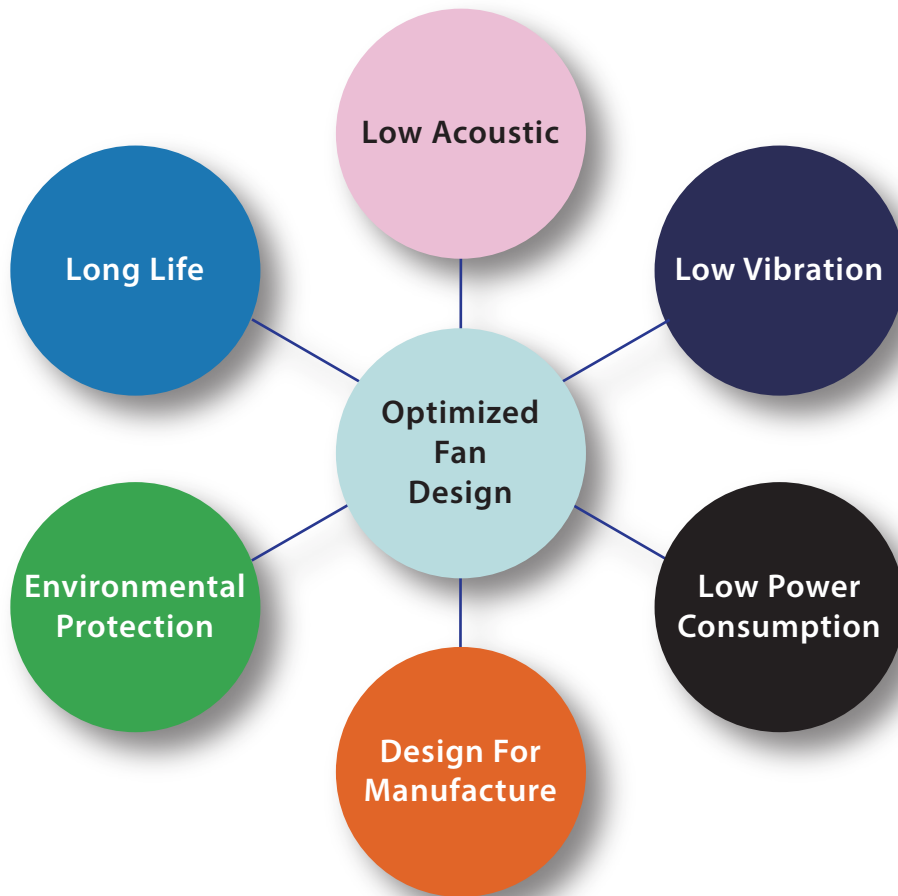
In order to fulfill the requirements of RoHS instructions, AVC can also conduct full RoHS tests with XRF, ICP-OES 2000DV, UV-Vis, Gas Chromatography and Mass Spectrometer.



Company Introduction

Product Feature

Our continuous dedication and the innovation to the new technologies of the total thermal solutions enable us to assist our customers from every industries to be at the leading position. Till today, we remain committed to this spirit and keep driving ourselves to the new applications and potential trend.



Fan Tray Technology

Fan Trays

AVC is one of the professional Fan Tray designers and manufacturers, the products of which are widely used in various industries such as Power System, Telecom Equipment, and Server etc...

AVC offers normal Fan Tray Assembly including 1x2, 2x3 or 3x3 model, which provides fast and high-efficient cooling ability and is easy for installation and operation.

The Fan Tray is possession of extensive function and setting up interface for users to complete programmable regulation of voltage, current, power and rotation speed according to customer's requirements.

In additional, our Expert Team can develop the specific program to optimize the operational interface.

AVC uses different communication protocols like 12C, RS232, and RS485 etc... To allow remote access data and electronic label upload and download.

We continuously optimize products in the early design stage through system analysis, simulation, verification and integrated production knowledge and proficient technique to reach different customers requirements.

Applications

- Electronics Cooling
- Power Supplies
- Telecommunications Equipment
- Server Equipment
- Ventilation system

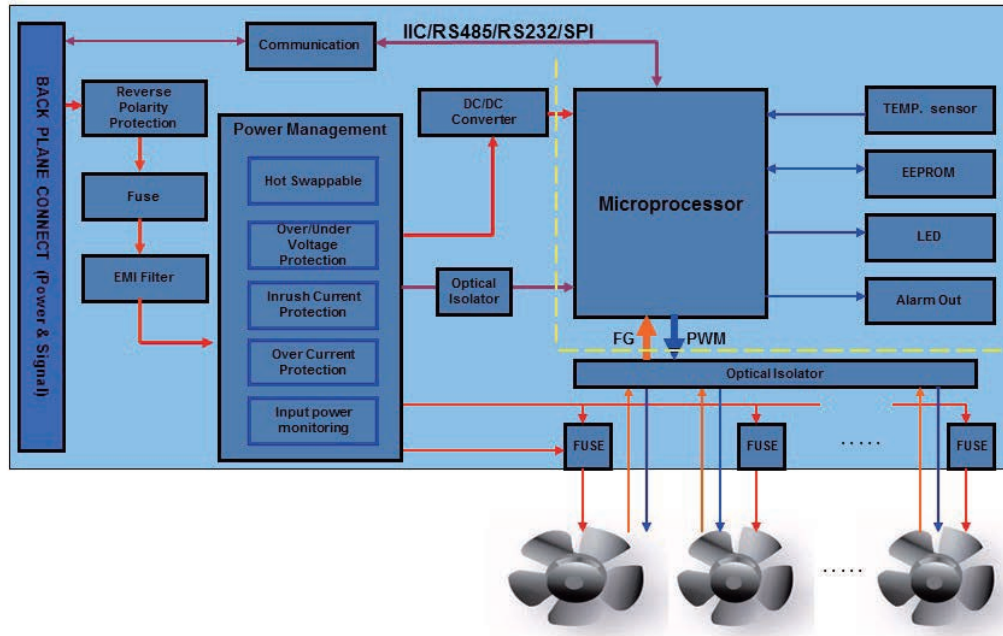
Features

- Wide Input range 19VDC~75VDC
- Low Voltage Shutdown and Startup
- Includes soft start and current limiting at start up
- Accepts and diode ORs dual power feeds
- Over voltage and over current protection
- Reverse polarity protection
- Hot-Swap Inrush current protection
- Programmable control mode options
- Function fail alarm Indication
- Thermal detect and fan speed control
- PWM or voltage control speed
- Isolated control inputs or outputs
- Redundant power feeds
- Communication function 12C/RS232/RS485...etc
- Custom design is accepted(ODM & OEM Design)



Fan Tray Technology

General Hardware Block Diagram



Control Functions

Description	Parameter	Server	Telecom		
			Fixed Access	Radio Access	Core Access
Voltage Input	48VDC		•	•	•
	24VDC		•	•	•
	12VDC	•			
Over current protection		•	•	•	•
Over voltage protection		•	•	•	•
Over temperature protection		•	•	•	•
Hot-Swap inrush current protection	Driver IC	•	•	•	•
	RC	•	•	•	•
Fan speed detector	FG	•	•	•	•
	RD	•	•	•	•
Temperature detector		•	•	•	•
Fan failure alarm output	I/O	•	•	•	•
	LED	•	•	•	•
Over temperature or thermal fail alarm output	I/O	•	•	•	•
	LED	•	•	•	•
Fan speed settings	PWM	•	•	•	•
	A/D	•	•	•	•
Programmable fan speed control	Auto mode.	•	•	•	•
	Control mode.	•	•	•	•
Communication	12C	•			•
	RS232		•	•	•
	RS485		•	•	•
Remote initial program load	12C	•	•	•	•
	RS485	•	•	•	•

Other Service and Products



Fan Tray



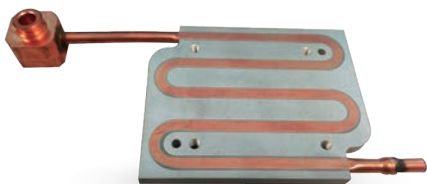
Heatpipe



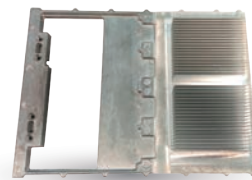
Vapor Chamber



HP+Insert Fin HS



Cold Plate



Die Casting Insert Molding
Extrusion HS

Type of Fans

Axial Fans

Our axial fans are offered in numerous families with the enhanced performance for the diverse and demanding applications and your multiple requirements.



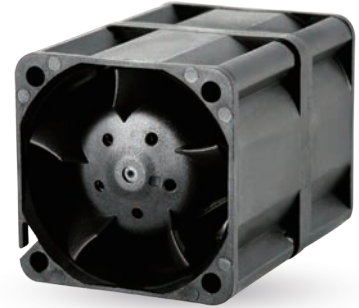
DB fan series – Integrated stator airfoil blade

Fans designed to provide higher static pressure with similar flow delivery as a similar DA series fan.



DV fan series – Overlapping impeller

Fans designed to work in systems with large impedance (airflow resistance).



DF fan series – Multiple rotating impellers and motor drives in series

High performance fans designed to produce very high static pressure in a small form-factor.



EC fan series

EC fans are driven by energy-saving DC motor and connected directly to an AC power supply. Variable speed control options can be added upon customer's request to ensure optimal operating efficiency.



DY fan series – Winglet impeller

Fans designed to allow noise reduction by 1-2dBA.



DA series – Single impeller

Fans with low noise characteristics. They are suitable for most applications.



Radial Fans

Radial fans are good for applications with high back pressure and low flow volume. Flow is turned 90 degrees inside the fan. Options for with or without enclosure are available. The enclosure is to enhance air pressure and control exit flow direction. Large radial fans (120+cm) are typically supplied without the enclosure and appropriate inlet arrangement is recommended at installation.

Fan Guidance

Product nominal data

Typical fan characteristics at free-air condition except maximum air pressure which is measured at zero flow delivery.

Product description

General product information such as construction material, storage temperature, operating temperature (B: Ball bearing, R/S: Hydraulic/Sleeve bearing) and product weight.



D **SERIES 25*25*10 mm**

- Frame: Thermoplastic PBT +30%GF(94V-0).
- Impeller: Thermoplastic PBT +15%GF(94V-0).
- Storage temperature: -40°C to +75°C
- Operating temperature: -10°C to +70°C(B) / +60°C(R/S).

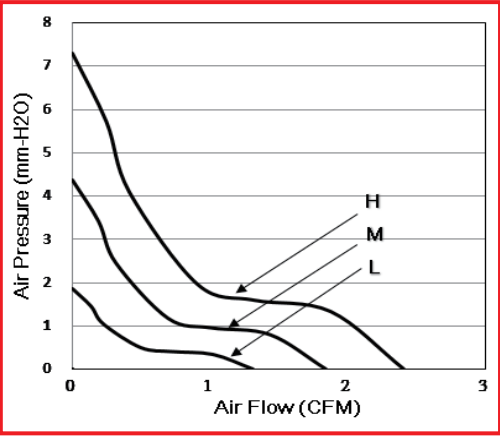
Major Characteristic Parameters

Model	Bearing System	Rated Voltage	Operating Voltage Range	Rated Current	Rated Power	Rated Speed	Maximum Air Flow	Maximum Static Pressure	Sound Level
Part NO.	B / R / S	V	V	A	Watt	RPM	m ³ /min CFM	mm-H ₂ O In-H ₂ O	dB(A)
D2510_05L	B R S	5	4.5-5.5	0.08	0.40	7000	0.04 1.32	1.90 0.07	20.0
D2510_12L	B R S	12	7.0-13.2	0.07	0.84	7000	0.04 1.32	1.90 0.07	20.0
*D2510_05M	B R S	5	4.5-5.5	0.13	0.65	10000	0.05 1.85	4.40 0.17	23.5
*D2510_12M	B R S	12	7.0-13.2	0.10	1.20	10000	0.05 1.85	4.40 0.17	23.5
*D2510_05H	B R S	5	4.5-5.5	0.22	1.10	13000	0.07 2.41	7.30 0.29	28.0
D2510_12H	B R S	12	7.0-13.2	0.12	1.44	13000	0.07 2.41	7.30 0.29	28.0

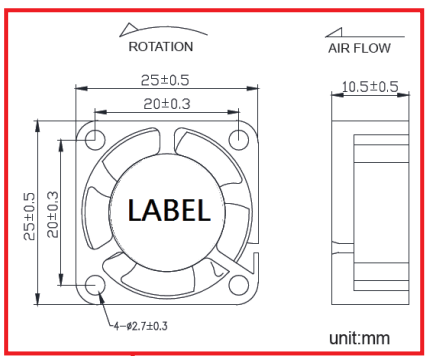
(Mark * * " may be researched to be the new current balance or speed rank or the more fit of part number needed if there is the optimal one in future.)

*Function type is optional. *All reading are typical values at rated voltage *Specifications are subject to change without notice
 * Bearing system B: Two Ball Bearing R: Hydraulic Bearing S: Sleeve Bearing *Weight : 7g

Performance curves
The chart illustrates the fan performance at rated voltage.



Product graphical illustration
The drawing illustrates the critical dimensions and may not be to scale. Dimensions of the recommended mounting panel cut-out is also provided.



Type Code & Glossary



I FAN CLASSIFICATION

D : Axial Fan
B : Blower

II FAN TYPE

A : General Fan B : Double Fan C : Low Power Fan
E : Low Noise Fan F : Turbo Fan L : Low Cost
N : Dish Fan V : Overlap Fan

III FAN GENERATION

Define it from "A" to "Z"

IV DIMENSION

03 : 3cm	04 : 4cm	
06 : 6cm	08 : 8cm	
13 : 13cm	16 : 16cm	
18 : 18cm	22 : 22cm	etc ...

V THICKNESS

07 : 7mm	25 : 25mm	
10 : 10mm	28 : 28mm	
A0 : 100mm	A1 : 101mm	
B0 : 110mm	B7 : 117mm	etc ...

VI BEARING TYPE

A : One Ball Bearing
B : Two Ball Bearing
R : Hydraulic Bearing
S : Sleeve Bearing
T : One Ball and One Sleeve Bearing

VII INPUT VOLTAGE

5 : 5v	2 : 12v	4 : 24v
8 : 48v	6 : 60v	3 : 3.3v
A : 115v B : 230v C : 380v		

VIII ROTATING SPEED

X : Ultra Low Speed	U : Extra High Speed
E : Extra Low Speed	S : Ultra High Speed
L : Low Speed	F : Superhigh Speed
M : Medium Speed	G : Extreme
H : High Speed	

IX CONTROL TYPE

— : General Control	C : No Autorestart
D : Digital Control	P : PWM Control
S : Sensor Control	V : Voltage Control
A : PWM + Sensor Control	

X SIGNAL OUTPUT

N : NA(No Signal Output)
F : FG(Frequency Generator or Tach Output)
R : RD(Rotation Detector)
Z : AC-DC

XI SIGNAL OUTPUT VOLTAGE

A : Vcc(Open Collector)	
B : 5.0V(Open Collector)	C : 3.3V(Open Collector)

XII OTHERS

FRAME TYPE(DC Axial)
R : Rib Frame F : Flange Frame

Optional Fan Features

The below options are available for a particular fan but might not apply to all the voltages and speeds. Please contact us for more information if any below extra option is required.



FG (Tacho) Signal (FG)

An additional wire is offered to output an oscillating voltage output which can be used by the system to infer the fan speed.



Analogue Control Input (Analogue)

The speed of the fan can be controlled via a voltage signal carried by a dedicated input wire.



RD (Rotation Detector) Signal (RD)

An additional wire is offered to output a voltage signal when the fan is stationary. It is a useful functionality to identify non-operating fan.



Humidity Protection (Moisture)

The electronics and motors of the fan are protected against humidity and condensation.



Internal Temperature Sensor (Temp.Sensor)

A NTC thermistor is integrated into the fan design and the fan speed varies with the temperature measured by the thermistor.



IP Level (IP)

The electronics and motor are designed to offer protection against dust and water. The digits behind the letters "IP" indicate different levels of protection.



PWM Control Input (PWM)

The speed of the fan can be controlled via a pulse-width-modulated(PWM)signal carried by a dedicated input wire.



Protection against Corrosion (Salt Fog)

Salt fog test is used to simulate corrosive environment that a fan may operate in. By passing the test gives high confidence in the robustness and reliability of the fan working in extreme conditions.

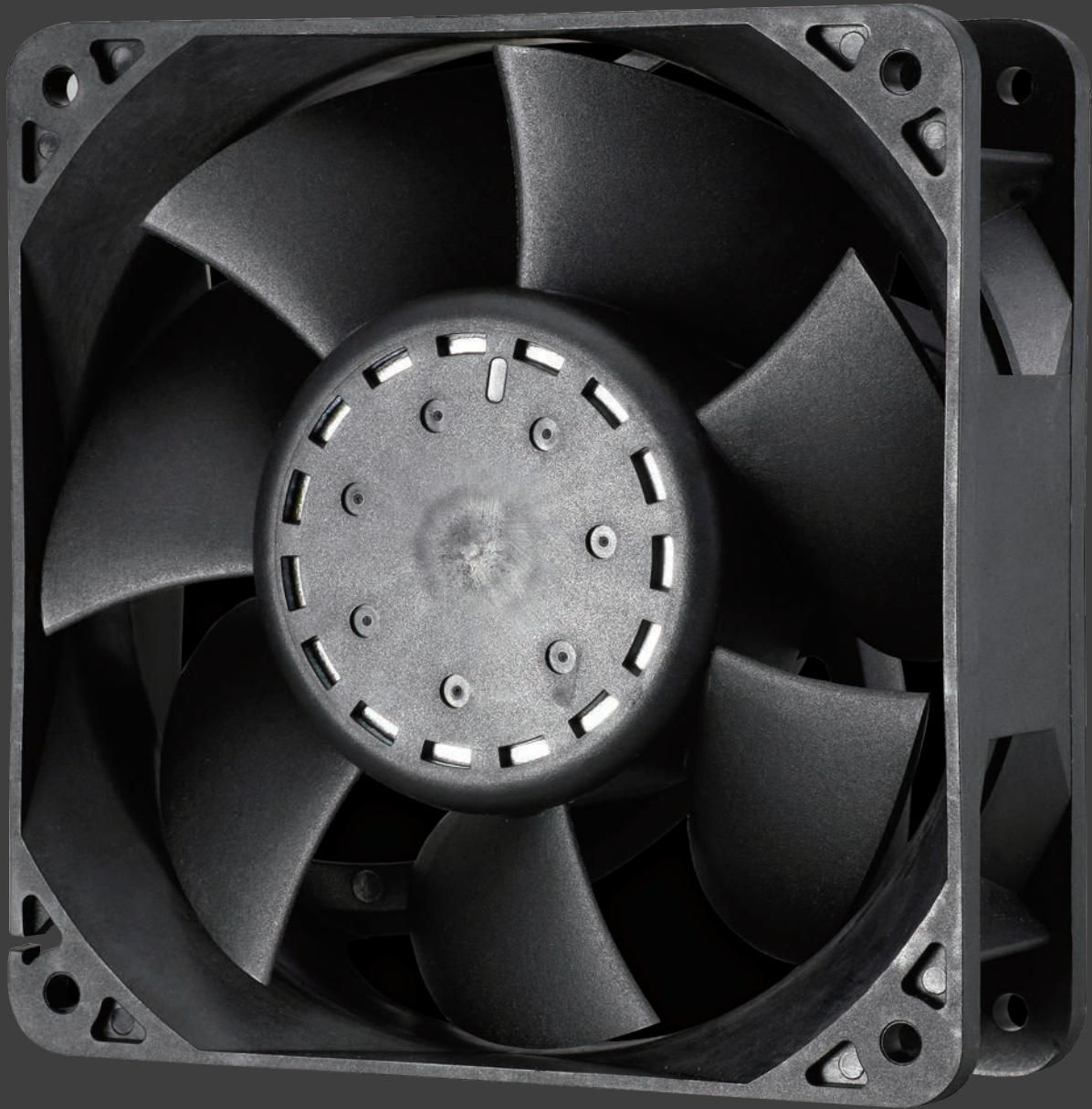
General Specification Condition

1. Below is typical lifetime expectancy from AVC lab. Please contact our sales for extended life tests.

Category	Conditions	Fan Type Applied			
		Ball bearing	Hydraulic bearing	Sleeve bearing	Sim fan
Humidity 15% - 65%		●	●	●	●
Operating temperature	-10°C ~ +70°C (+14°F ~ +158°F)	●			
	-10°C ~ +60°C (+14°F ~ +140°F)		●	●	
Storage temperature	-40°C ~ +75°C (-40°F ~ +167°F)	●			
	-10°C ~ +70°C (+14°F ~ +158°F)		●	●	
Assured Life Expectancy (L10) at 40°C	70,000 Hrs	●			
	50,000 Hrs		●		
	30,000 Hrs			●	●
Dielectric Strength	5mA max at 500VAC for one minute between lead wire & frame	●	●	●	●
Insulation Class	UL: Class A	●	●	●	●

2. The particular fan remarked with * next to the Part No. means its Part No. might be varified

DC Axial Fans



BRUSHLESS DC AXIAL FAN



D SERIES 25*25*10 mm

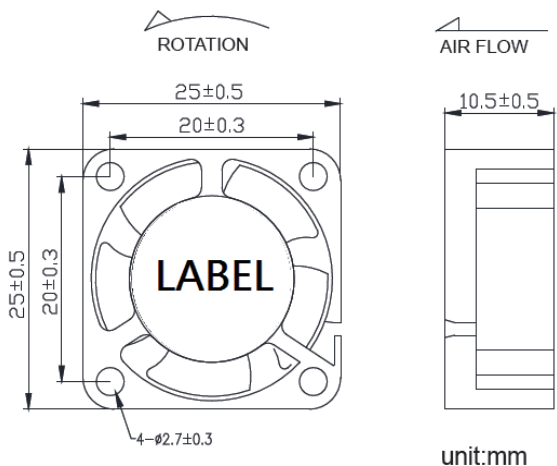
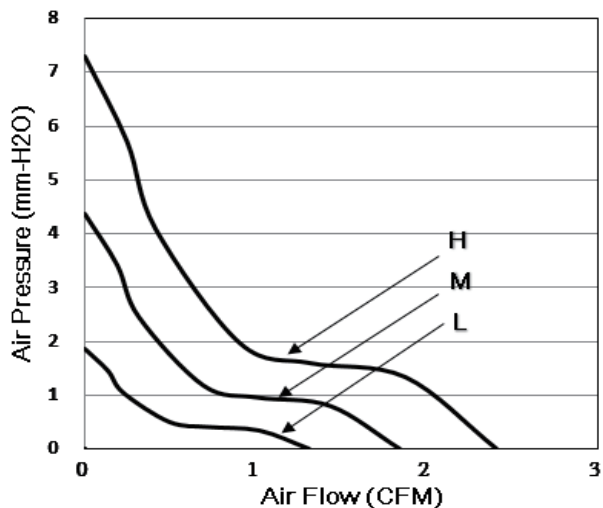
- Frame: Thermoplastic PBT +30%GF(94V-0).
- Impeller: Thermoplastic PBT +15%GF(94V-0).
- Storage temperature: -40°C to +75°C
- Operating temperature: -10°C to +70°C(B) / +60°C(R/S).

Major Characteristic Parameters

Model	Bearing System	Rated Voltage	Operating Voltage Range	Rated Current	Rated Power	Rated Speed	Maximum Air Flow		Maximum Static Pressure		Sound Level
Part NO.	B / R / S	V	V	A	Watt	RPM	m ³ /min	CFM	mm-H ₂ O	In-H ₂ O	dB(A)
D2510_05L	B R S	5	4.5~5.5	0.08	0.40	7000	0.04	1.32	1.90	0.07	20.0
D2510_12L	B R S	12	7.0~13.2	0.07	0.84	7000	0.04	1.32	1.90	0.07	20.0
*D2510_05M	B R S	5	4.5~5.5	0.13	0.65	10000	0.05	1.85	4.40	0.17	23.5
*D2510_12M	B R S	12	7.0~13.2	0.10	1.20	10000	0.05	1.85	4.40	0.17	23.5
*D2510_05H	B R S	5	4.5~5.5	0.22	1.10	13000	0.07	2.41	7.30	0.29	28.0
D2510_12H	B R S	12	7.0~13.2	0.12	1.44	13000	0.07	2.41	7.30	0.29	28.0

(Mark " * " may be researched to be the new current balance or speed rank or the more fit of part number needed if there is the optimal one in future.)

*Function type is optional. *All reading are typical values at rated voltage *Specifications are subject to change without notice
 * Bearing system B: Two Ball Bearing R: Hydraulic Bearing S: Sleeve Bearing *Weight : 7g



BRUSHLESS DC AXIAL FAN



C

SERIES 30*30*10 mm

- Frame:Thermoplastic PBT +30%GF(94V-0).
- Impeller:Thermoplastic PBT +15%GF(94V-0).
- Storage temperature:-40°C to +75°C
- Operating temperature:-10°C to +70°C(B) / +60°C(R/S).

Major Characteristic Parameters

Model	Bearing System	Rated Voltage	Operating Voltage Range	Rated Current	Rated Power	Rated Speed	Maximum Air Flow		Maximum Static Pressure		Sound Level
Part NO.	B / R / S	V	V	A	Watt	RPM	m ³ /min	CFM	mm-H ₂ O	In-H ₂ O	dBA
C3010_05L	B R S	5	4.5~5.5	0.08	0.40	7500	0.11	3.73	3.65	0.14	24.0
C3010_12L	B R S	12	7.0~13.2	0.05	0.60	7500	0.11	3.73	3.65	0.14	24.0
C3010_05M	B R S	5	4.5~5.5	0.10	0.50	9000	0.13	4.48	5.25	0.21	29.0
C3010_12M	B R S	12	7.0~13.2	0.07	0.84	9000	0.13	4.48	5.25	0.21	29.0
C3010_05H	B R S	5	4.5~5.5	0.14	0.70	11000	0.16	5.65	6.15	0.24	31.0
C3010_12H	B R S	12	7.0~13.2	0.09	1.08	11000	0.16	5.65	6.15	0.24	31.0
(Mark " * " may be researched to be the new current balance or speed rank or the more fit of part number needed if there is the optimal one in future.)											

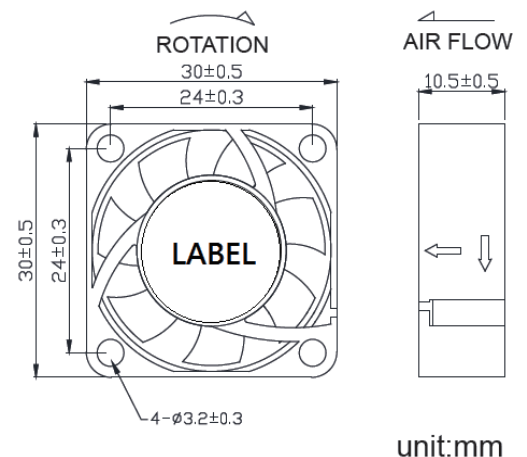
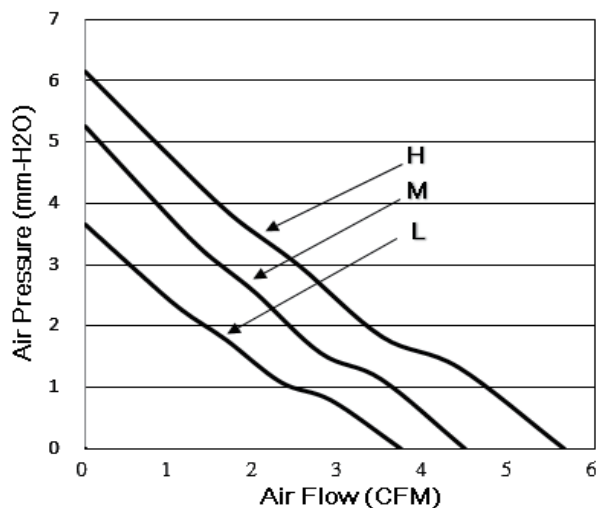
*Function type is optional.

*All reading are typical values at rated voltage

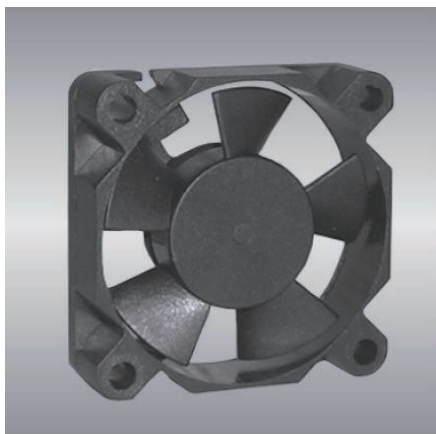
*Specifications are subject to change without notice

* Bearing system B: Two Ball Bearing R: Hydraulic Bearing S: Sleeve Bearing

*Weight : 8g



BRUSHLESS DC AXIAL FAN



DA SERIES 35*35*10 mm

- Frame: Thermoplastic PBT +30%GF(94V-0).
- Impeller: Thermoplastic PBT +15%GF(94V-0).
- Storage temperature: -40°C to +75°C
- Operating temperature: -10°C to +70°C(B) / +60°C(R/S).

Major Characteristic Parameters

Model	Bearing System	Rated Voltage	Operating Voltage Range	Rated Current	Rated Power	Rated Speed	Maximum Air Flow		Maximum Static Pressure		Sound Level
Part NO.	B / R / S	V	V	A	Watt	RPM	m ³ /min	CFM	mm-H ₂ O	In-H ₂ O	dB(A)
DA03510_05L	B S	5	4.5-5.5	0.05	0.25	5000	0.10	3.54	2.49	0.10	18.0
DA03510_05M	B S	5	4.5-5.5	0.06	0.30	6000	0.12	4.25	2.98	0.12	20.0
DA03510_05H	B S	5	4.5-5.5	0.07	0.35	7000	0.14	4.96	3.48	0.14	23.0
DA03510_12H	B S	12	7.0-13.2	0.03	0.36	7000	0.14	4.96	3.48	0.14	23.0
DA03510_05U	B S	5	4.5-5.5	0.08	0.40	8000	0.16	5.51	4.53	0.18	25.0
DA03510_12U	B S	12	7.0-13.2	0.04	0.48	8000	0.16	5.51	4.53	0.18	25.0
DA03510_05S	B S	5	4.5-5.5	0.10	0.50	9000	0.18	6.30	5.50	0.22	28.0
DA03510_12S	B S	12	7.0-13.2	0.07	0.84	9000	0.18	6.30	5.50	0.22	28.0

(Mark " * " may be researched to be the new current balance or speed rank or the more fit of part number needed if there is the optimal one in future.)

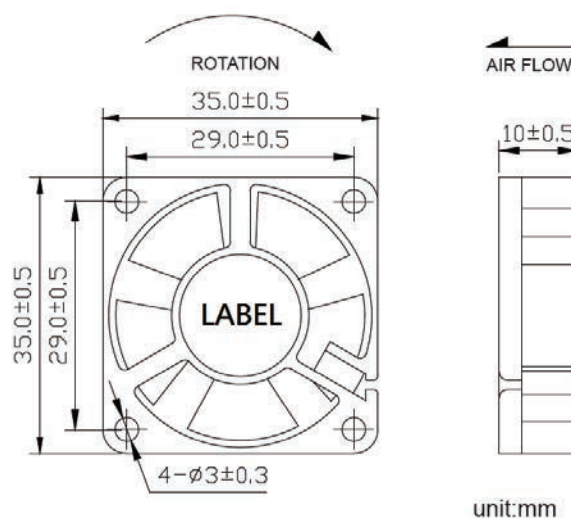
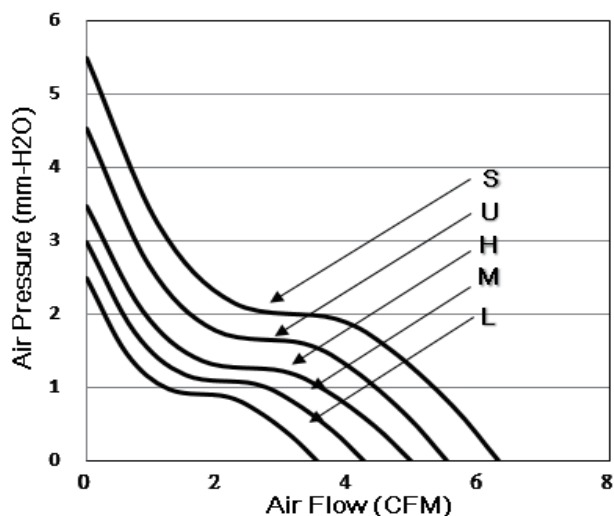
*Function type is optional.

*All reading are typical values at rated voltage

*Specifications are subject to change without notice

* Bearing system B: Two Ball Bearing R: Hydraulic Bearing S: Sleeve Bearing

*Weight : 10g



BRUSHLESS DC AXIAL FAN



F

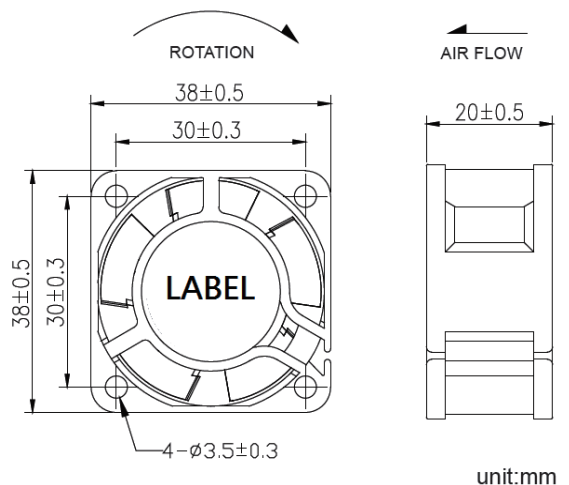
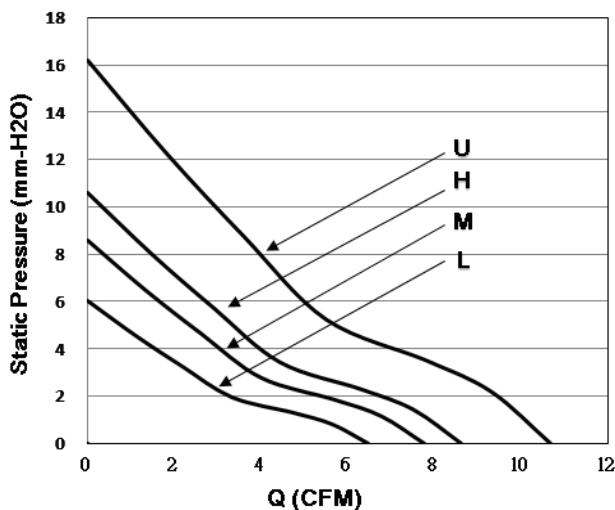
SERIES 38*38*20 mm

- Frame: Thermoplastic PBT +30%GF(94V-0).
- Impeller: Thermoplastic PBT +15%GF(94V-0).
- Storage temperature: -40°C to +75°C
- Operating temperature: -10°C to +70°C(B) / +60°C(R/S).

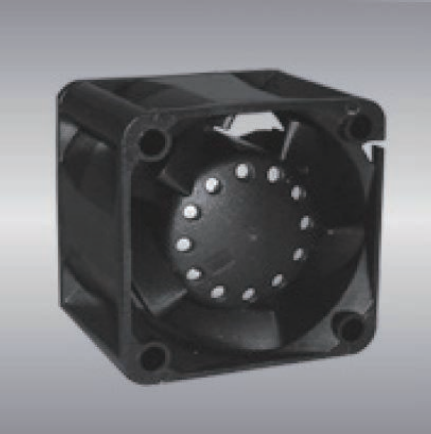
Major Characteristic Parameters

Model	Bearing System	Rated Voltage	Operating Voltage Range	Rated Current	Rated Power	Rated Speed	Maximum Air Flow		Maximum Static Pressure		Sound Level
Part NO.	B / R / S	V	V	A	Watt	RPM	m ³ /min	CFM	mm-H ₂ O	In-H ₂ O	dB(A)
F3820_12L	B	12	7.0~13.2	0.10	1.20	6700	0.18	6.48	6.02	0.24	35.8
F3820_12M	B	12	7.0~13.2	0.12	1.44	8000	0.22	7.76	8.57	0.34	39.7
F3820_12H	B	12	7.0~13.2	0.13	1.56	8900	0.24	8.63	10.61	0.42	42.0
F3820_12U	B	12	7.0~13.2	0.25	3.00	11000	0.30	10.67	16.21	0.64	44.0
(Mark " * " may be researched to be the new current balance or speed rank or the more fit of part number needed if there is the optimal one in future.)											

*Function type is optional. *All reading are typical values at rated voltage *Specifications are subject to change without notice
 * Bearing system B: Two Ball Bearing R: Hydraulic Bearing S: Sleeve Bearing *Weight : 30.5g



BRUSHLESS DC AXIAL FAN



DB SERIES 38*38*28 mm

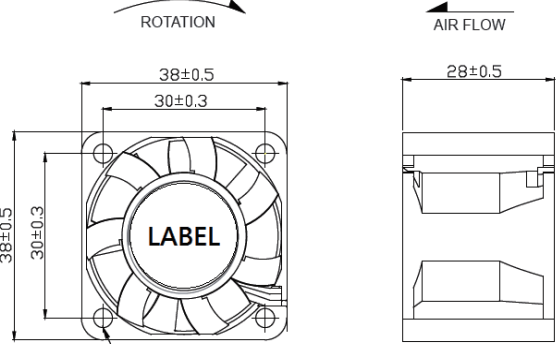
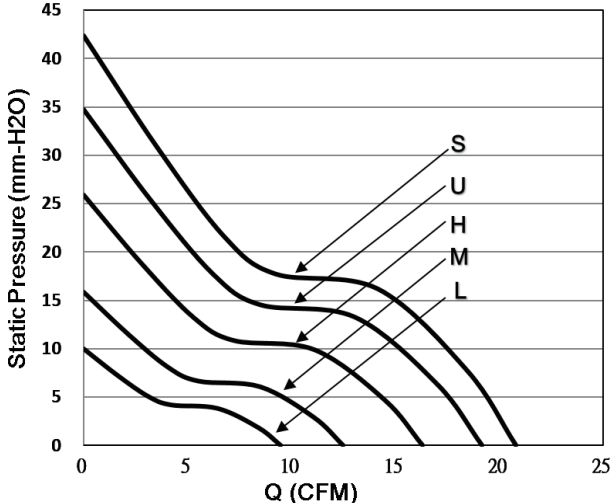
- Frame: Thermoplastic PBT +30%GF(94V-0).
- Impeller: Thermoplastic PBT +15%GF(94V-0).
- Storage temperature: -40°C to +75°C
- Operating temperature: -10°C to +70°C(B) / +60°C(R/S).

Major Characteristic Parameters

Model	Bearing System	Rated Voltage	Operating Voltage Range	Rated Current	Rated Power	Rated Speed	Maximum Air Flow		Maximum Static Pressure		Sound Level
Part NO.	B / R / S	V	V	A	Watt	RPM	m ³ /min	CFM	mm-H ₂ O	In-H ₂ O	dBA
DB03828_12L	B	12	7.0~13.2	0.11	1.32	8000	0.27	9.44	10.02	0.39	38.0
DB03828_12M	B	12	7.0~13.2	0.15	1.80	10000	0.35	12.46	15.88	0.63	44.0
DB03828_12H	B	12	7.0~13.2	0.29	3.48	13000	0.46	16.30	25.91	1.02	51.0
DB03828_12U	B	12	7.0~13.2	0.43	5.16	15000	0.54	19.16	34.71	1.37	55.0
DB03828_12S	B	12	7.0~13.2	0.58	6.96	17000	0.59	20.80	42.40	1.67	59.0

(Mark " * " may be researched to be the new current balance or speed rank or the more fit of part number needed if there is the optimal one in future.)

*Function type is optional. *All reading are typical values at rated voltage *Specifications are subject to change without notice
 * Bearing system B: Two Ball Bearing R: Hydraulic Bearing S: Sleeve Bearing *Weight : 40g



unit:mm

BRUSHLESS DC AXIAL FAN



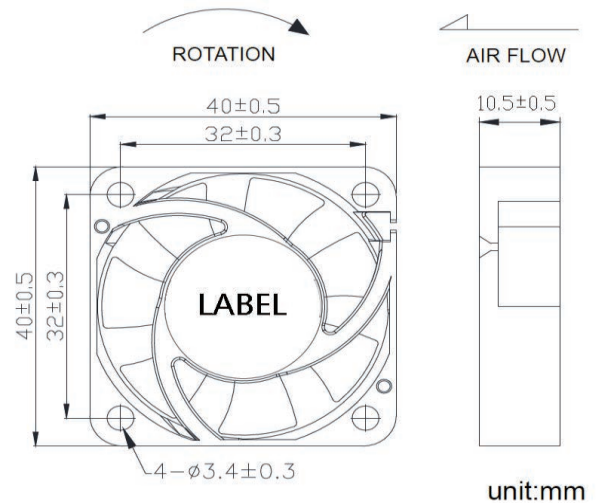
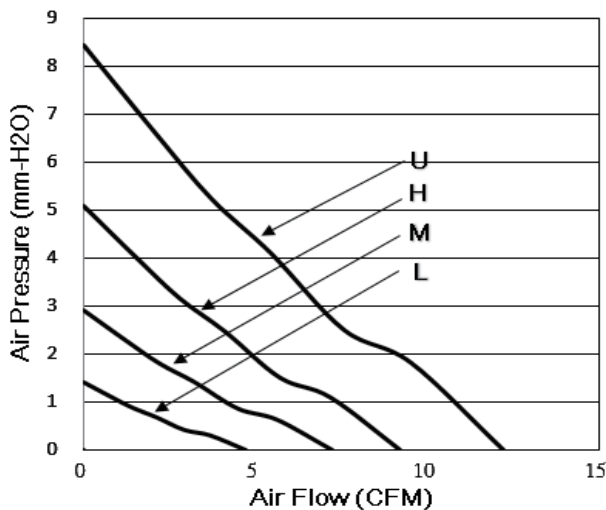
DA SERIES 40*40*10 mm

- Frame: Thermoplastic PBT +30%GF(94V-0).
- Impeller: Thermoplastic PBT +15%GF(94V-0).
- Storage temperature: -40°C to +75°C
- Operating temperature: -10°C to +70°C(B) / +60°C(R/S).

Major Characteristic Parameters

Model	Bearing System	Rated Voltage	Operating Voltage Range	Rated Current	Rated Power	Rated Speed	Maximum Air Flow		Maximum Static Pressure		Sound Level
Part NO.	B / R / S	V	V	A	Watt	RPM	m ³ /min	CFM	mm-H ₂ O	In-H ₂ O	dB(A)
DA04010_05L	B R S	5	4.5~5.5	0.14	0.70	4000	0.13	4.75	1.42	0.06	21.0
DA04010_12L	B R S	12	7.0~13.2	0.05	0.60	4000	0.13	4.75	1.42	0.06	21.0
DA04010_05M	B R S	5	4.5~5.5	0.18	0.90	6000	0.21	7.24	2.92	0.11	26.1
DA04010_12M	B R S	12	7.0~13.2	0.07	0.84	6000	0.21	7.24	2.92	0.11	26.1
DA04010_05H	B R S	5	4.5~5.5	0.29	1.45	8000	0.26	9.25	5.10	0.20	34.6
DA04010_12H	B R S	12	7.0~13.2	0.15	1.80	8000	0.26	9.25	5.10	0.20	34.6
*DA04010_12U	B R S	12	7.0~13.2	0.18	2.16	10000	0.35	12.23	8.43	0.33	37.3
DA04010_24U	B R S	24	14.0~26.4	0.07	1.68	10000	0.35	12.23	8.43	0.33	37.3
(Mark " * " may be researched to be the new current balance or speed rank or the more fit of part number needed if there is the optimal one in future.)											

*Function type is optional. *All reading are typical values at rated voltage *Specifications are subject to change without notice
 * Bearing system B: Two Ball Bearing R: Hydraulic Bearing S: Sleeve Bearing *Weight : 20g



BRUSHLESS DC AXIAL FAN



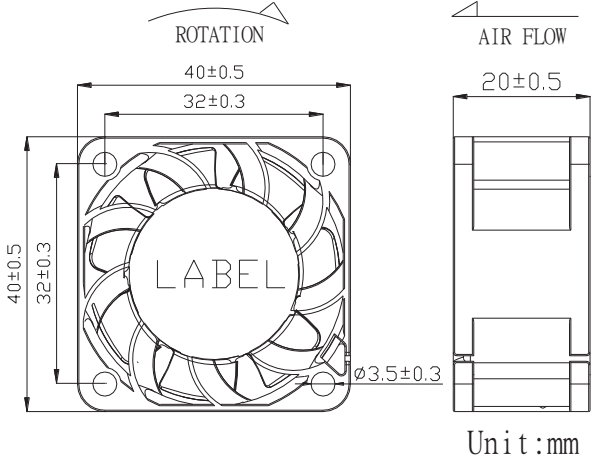
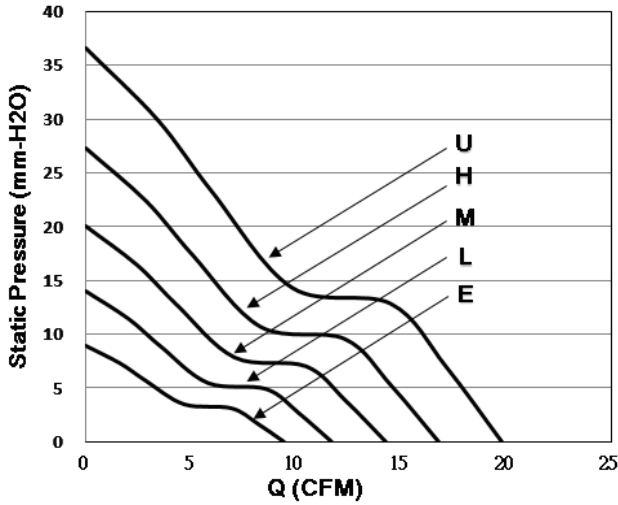
DBTA SERIES 40*40*20 mm

- Frame: Thermoplastic PBT +30%GF(94V-0).
- Impeller: Thermoplastic PBT +15%GF(94V-0).
- Storage temperature: -40°C to +75°C
- Operating temperature: -10°C to +70°C(B) / +60°C(R/S).

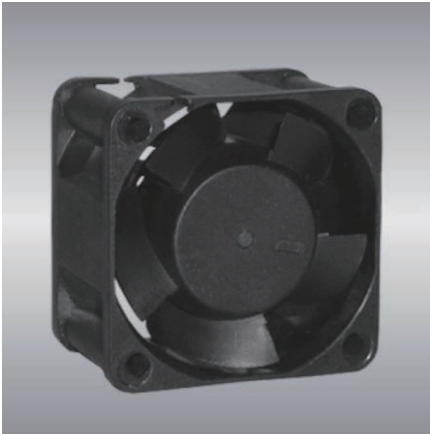
Major Characteristic Parameters

Model	Bearing System	Rated Voltage	Operating Voltage Range	Rated Current	Rated Power	Rated Speed	Maximum Air Flow		Maximum Static Pressure		Sound Level
							m ³ /min	CFM	mm-H ₂ O	In-H ₂ O	
Part NO.	B / R / S	V	V	A	Watt	RPM	m ³ /min	CFM	mm-H ₂ O	In-H ₂ O	dB(A)
DBTA0420_2E	B	12	7.0~13.2	0.10	1.20	8000	0.27	9.43	8.92	0.35	32.9
DBTA0420_2L	B	12	7.0~13.2	0.15	1.80	10000	0.33	11.73	13.96	0.55	40.0
DBTA0420_2M	B	12	7.0~13.2	0.20	2.40	12000	0.41	14.31	20.06	0.79	44.3
DBTA0420_2H	B	12	7.0~13.2	0.25	3.00	14000	0.48	16.82	27.34	1.08	48.9
DBTA0420_2U	B	12	7.0~13.2	0.40	4.80	16000	0.56	19.82	36.55	1.44	52.9
(Mark " * " may be researched to be the new current balance or speed rank or the more fit of part number needed if there is the optimal one in future.)											

*Function type is optional. *All reading are typical values at rated voltage *Specifications are subject to change without notice
 * Bearing system B: Two Ball Bearing R: Hydraulic Bearing S: Sleeve Bearing *Weight : 25g



BRUSHLESS DC AXIAL FAN



F

SERIES **40*40*20 mm**

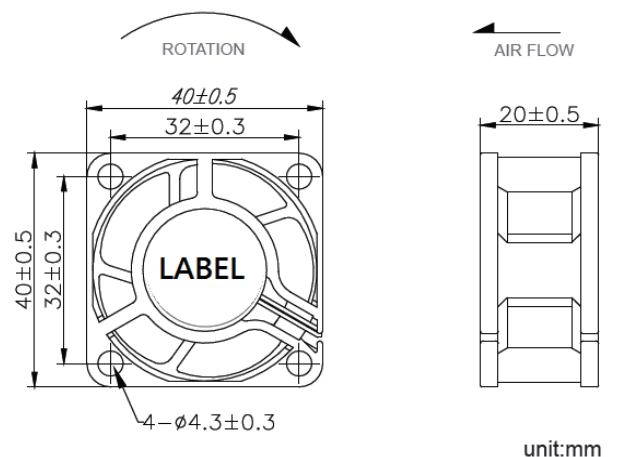
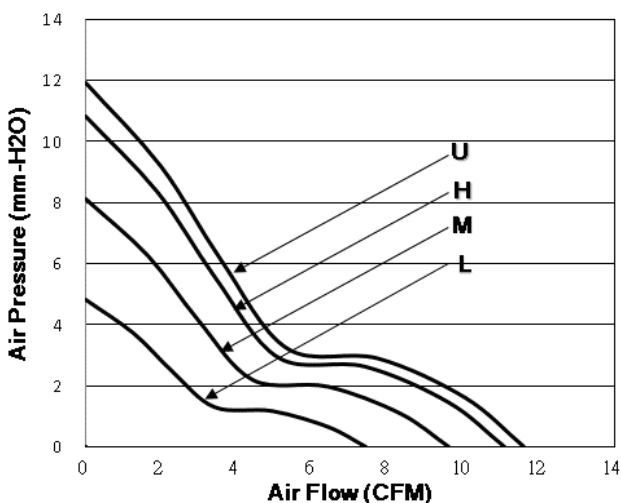
- Frame: Thermoplastic PBT +30%GF(94V-0).
- Impeller: Thermoplastic PBT +15%GF(94V-0).
- Storage temperature: -40°C to +75°C
- Operating temperature: -10°C to +70°C(B) / +60°C(R/S).

Major Characteristic Parameters

Model	Bearing System	Rated Voltage	Operating Voltage Range	Rated Current	Rated Power	Rated Speed	Maximum Air Flow		Maximum Static Pressure		Sound Level
Part NO.	B / R / S	V	V	A	Watt	RPM	m ³ /min	CFM	mm-H ₂ O	In-H ₂ O	dBA
F4020_12L	B R S	12	7.0~13.2	0.10	1.20	5000	0.21	7.40	4.80	0.19	21.0
F4020_24L	B R S	24	14.0~26.4	0.07	1.68	5000	0.21	7.40	4.80	0.19	21.0
F4020_12M	B R S	12	7.0~13.2	0.12	1.44	6500	0.27	9.60	8.10	0.32	24.5
F4020_24M	B R S	24	14.0~26.4	0.09	2.16	6500	0.27	9.60	8.10	0.32	24.5
F4020_12H	B R S	12	7.0~13.2	0.16	1.92	8600	0.31	11.10	10.80	0.43	32.5
F4020_24H	B R S	24	14.0~26.4	0.13	3.12	8600	0.31	11.10	10.80	0.43	32.5
F4020_12U	B R S	12	7.0~13.2	0.22	2.64	9500	0.33	11.60	11.90	0.47	33.5
F4020_12S	B R S	12	7.0~13.2	0.25	3.00	11000	0.37	13.20	15.80	0.62	40.9

(Mark " * " may be researched to be the new current balance or speed rank or the more fit of part number needed if there is the optimal one in future.)

*Function type is optional. *All reading are typical values at rated voltage *Specifications are subject to change without notice
* Bearing system B: Two Ball Bearing R: Hydraulic Bearing S: Sleeve Bearing *Weight : 27g



BRUSHLESS DC AXIAL FAN



DB SERIES 40*40*28 mm

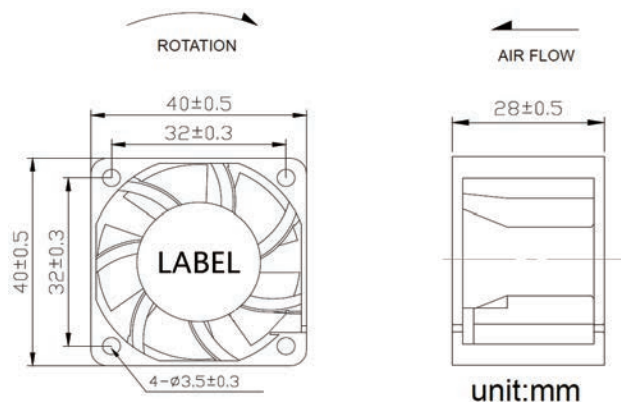
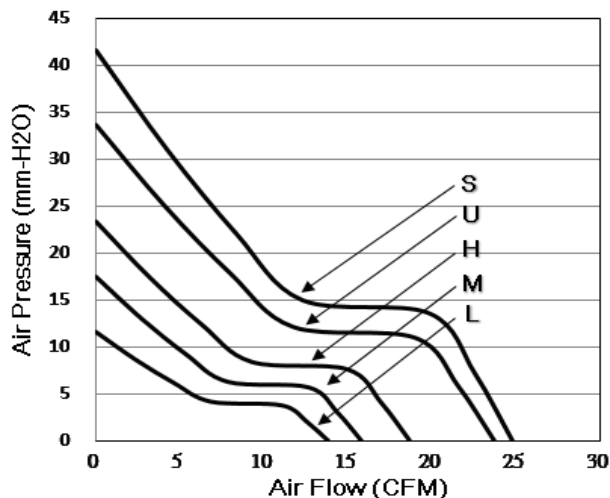
- Frame: Thermoplastic PBT +30%GF(94V-0).
- Impeller: Thermoplastic PBT +15%GF(94V-0).
- Storage temperature: -40°C to +75°C
- Operating temperature: -10°C to +70°C(B) / +60°C(R/S).

Major Characteristic Parameters

Model	Bearing System	Rated Voltage	Operating Voltage Range	Rated Current	Rated Power	Rated Speed	Maximum Air Flow		Maximum Static Pressure		Sound Level
Part NO.	B / R / S	V	V	A	Watt	RPM	m ³ /min	CFM	mm-H ₂ O	In-H ₂ O	dBA
DB04028_12L	B	12	7.0~13.2	0.14	1.68	8000	0.39	13.80	11.50	0.45	40.0
DB04028_24L	B	24	14.0~26.4	0.10	2.40	8000	0.39	13.80	11.50	0.45	40.0
DB04028_12M	B	12	7.0~13.2	0.26	3.12	9500	0.45	15.90	17.60	0.69	45.0
DB04028_24M	B	24	14.0~26.4	0.15	3.60	9500	0.45	15.90	17.60	0.69	45.0
DB04028_12H	B	12	7.0~13.2	0.35	4.20	11000	0.53	18.70	23.40	0.92	50.5
DB04028_24H	B	24	14.0~26.4	0.20	4.80	11000	0.53	18.70	23.40	0.92	50.5
DB04028_12U	B	12	7.0~13.2	0.55	6.60	13000	0.67	23.80	33.70	1.33	54.0
DB04028_24U	B	24	14.0~26.4	0.27	6.48	13000	0.67	23.80	33.70	1.33	54.0
DB04028_12S	B	12	7.0~13.2	0.70	8.40	15000	0.70	24.82	41.61	1.64	58.0
(Mark " * " may be researched to be the new current balance or speed rank or the more fit of part number needed if there is the optimal one in future.)											

*Function type is optional. *All reading are typical values at rated voltage
 * Bearing system B: Two Ball Bearing R: Hydraulic Bearing S: Sleeve Bearing

*Specifications are subject to change without notice
 *Weight : 40g



BRUSHLESS DC AXIAL FAN



DBTD

SERIES 40*40*28 mm

- Frame: Thermoplastic PBT +30%GF(94V-0).
- Impeller: Thermoplastic PBT +15%GF(94V-0).
- Storage temperature: -40°C to +75°C
- Operating temperature: -10°C to +70°C(B) / +60°C(R/S).

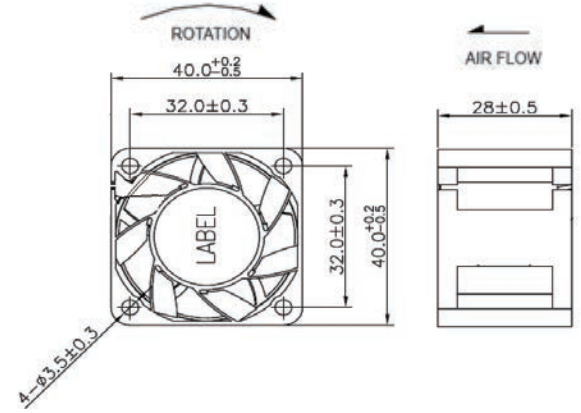
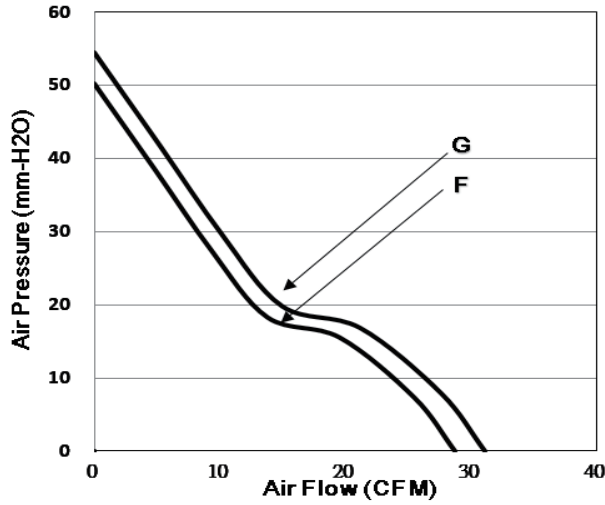
Major Characteristic Parameters

Model	Bearing System	Rated Voltage	Operating Voltage Range	Rated Current	Rated Power	Rated Speed	Maximum Air Flow		Maximum Static Pressure		Sound Level
Part NO.	B / R / S	V	V	A	Watt	RPM	m ³ /min	CFM	mm-H ₂ O	In-H ₂ O	dB(A)
DBTD0428_2F	B	12	7.0~13.2	0.79	9.48	22000	0.81	28.74	50.31	1.98	61.7
DBTD0428_2G	B	12	7.0~13.2	0.91	10.92	25000	0.88	31.10	54.45	2.14	64.5

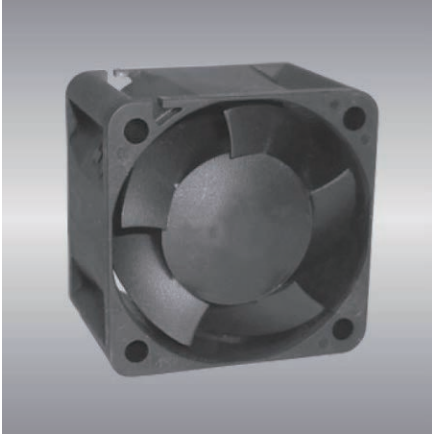
(Mark " * " may be researched to be the new current balance or speed rank or the more fit of part number needed if there is the optimal one in future.)

*Function type is optional. *All reading are typical values at rated voltage *Specifications are subject to change without notice

* Bearing system B: Two Ball Bearing R: Hydraulic Bearing S: Sleeve Bearing *Weight : 50g



BRUSHLESS DC AXIAL FAN



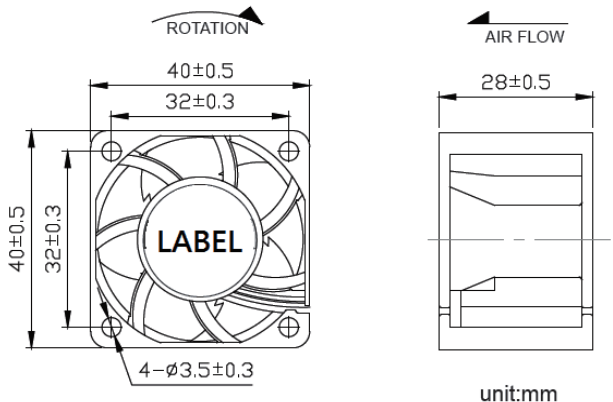
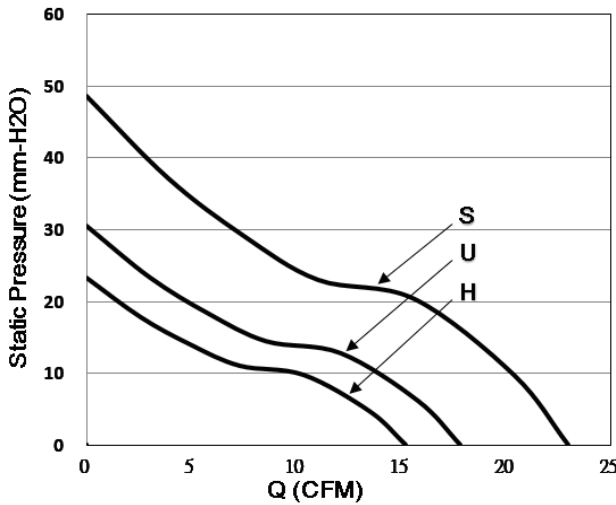
DV SERIES 40*40*28 mm

- Frame: Thermoplastic PBT +30%GF(94V-0).
- Impeller: Thermoplastic PBT +15%GF(94V-0).
- Storage temperature: -40°C to +75°C
- Operating temperature: -10°C to +70°C(B) / +60°C(R/S).

Major Characteristic Parameters

Model	Bearing System	Rated Voltage	Operating Voltage Range	Rated Current	Rated Power	Rated Speed	Maximum Air Flow		Maximum Static Pressure		Sound Level
Part NO.	B / R / S	V	V	A	Watt	RPM	m ³ /min	CFM	mm-H ₂ O	In-H ₂ O	dBA
DV04028_12H	B	12	7.0~13.2	0.30	3.60	13000	0.43	15.20	23.37	0.92	42.6
DV04028_12U	B	12	7.0~13.2	0.40	4.80	15000	0.50	17.80	30.48	1.20	46.4
DV04028_12S	B	12	7.0~13.2	0.60	7.20	18000	0.65	22.92	48.62	1.91	53.8
(Mark " * " may be researched to be the new current balance or speed rank or the more fit of part number needed if there is the optimal one in future.)											

*Function type is optional. *All reading are typical values at rated voltage *Specifications are subject to change without notice
 * Bearing system B: Two Ball Bearing R: Hydraulic Bearing S: Sleeve Bearing *Weight : 40g



BRUSHLESS DC AXIAL FAN



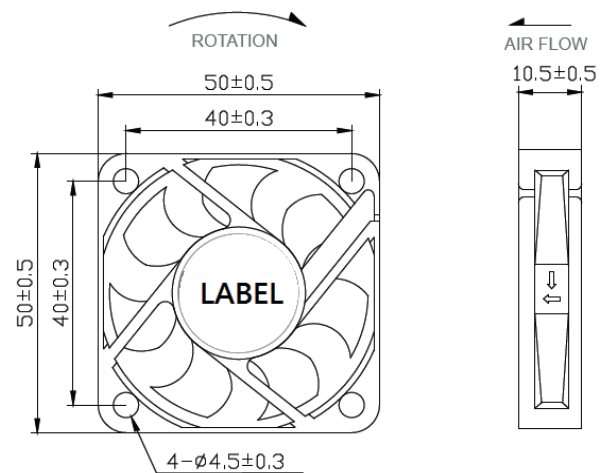
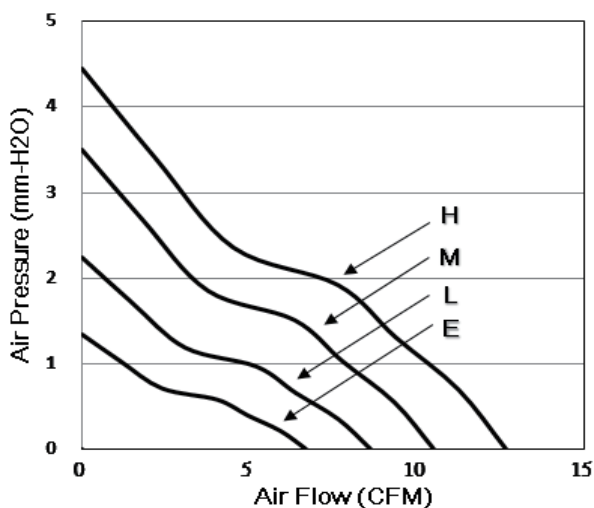
D SERIES 50*50*10 mm

- Frame: Thermoplastic PBT +30%GF(94V-0).
- Impeller: Thermoplastic PBT +15%GF(94V-0).
- Storage temperature: -40°C to +75°C
- Operating temperature: -10°C to +70°C(B) / +60°C(R/S).

Major Characteristic Parameters

Model	Bearing System	Rated Voltage	Operating Voltage Range	Rated Current	Rated Power	Rated Speed	Maximum Air Flow		Maximum Static Pressure		Sound Level
Part NO.	B / R / S	V	V	A	Watt	RPM	m³/min	CFM	mm-H₂O	In-H₂O	dBA
D5010_05E	B S	5	4.5~5.5	0.04	0.20	3500	0.19	6.71	1.35	0.05	18.0
D5010_12E	B S	12	7~13.2	0.02	0.24	3500	0.19	6.71	1.35	0.05	18.0
D5010_05L	B S	5	4.5~5.5	0.07	0.35	4500	0.24	8.63	2.24	0.09	25.0
D5010_12L	B S	12	7~13.2	0.03	0.36	4500	0.24	8.63	2.24	0.09	25.0
D5010_05M	B S	5	4.5~5.5	0.16	0.80	5500	0.30	10.54	3.50	0.14	30.0
D5010_12M	B S	12	7~13.2	0.07	0.84	5500	0.30	10.54	3.50	0.14	30.0
D5010_05H	B S	5	4.5~5.5	0.25	1.25	6500	0.36	12.70	4.45	0.18	35.0
D5010_12H	B S	12	7~13.2	0.10	1.20	6500	0.36	12.70	4.45	0.18	35.0
(Mark " * " may be researched to be the new current balance or speed rank or the more fit of part number needed if there is the optimal one in future.)											

*Function type is optional. *All reading are typical values at rated voltage *Specifications are subject to change without notice
 * Bearing system B: Two Ball Bearing R: Hydraulic Bearing S: Sleeve Bearing *Weight : 20g



unit:mm

BRUSHLESS DC AXIAL FAN



DA

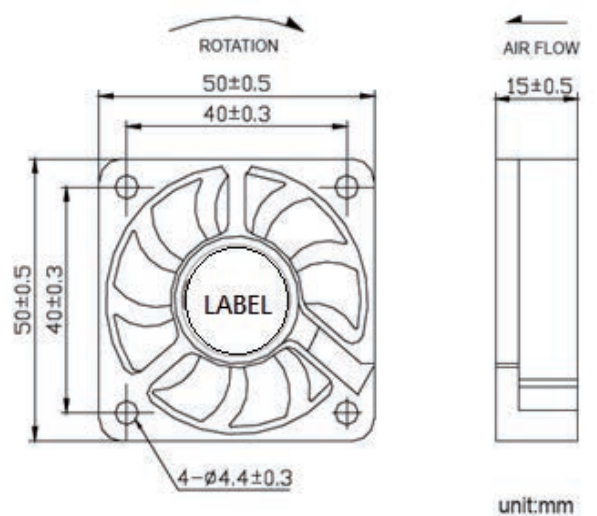
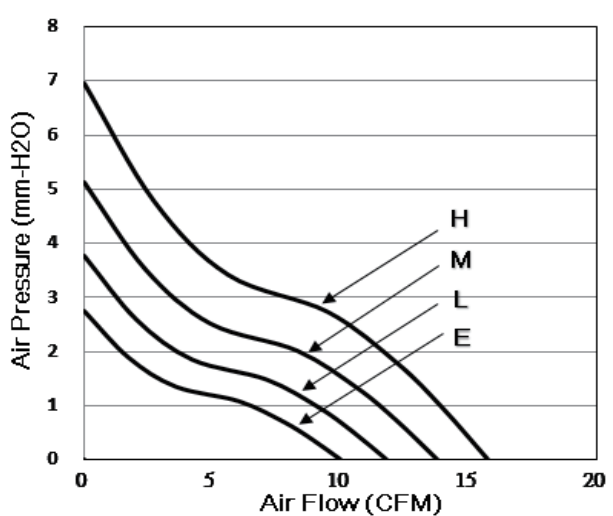
SERIES 50*50*15 mm

- Frame:Thermoplastic PBT +30%GF(94V-0).
- Impeller:Thermoplastic PBT +15%GF(94V-0).
- Storage temperature:-40°C to +75°C
- Operating temperature:-10°C to +70°C(B) / +60°C(R/S).

Major Characteristic Parameters

Model	Bearing System	Rated Voltage	Operating Voltage Range	Rated Current	Rated Power	Rated Speed	Maximum Air Flow		Maximum Static Pressure		Sound Level
Part NO.	B / R / S	V	V	A	Watt	RPM	m ³ /min	CFM	mm-H ₂ O	In-H ₂ O	dB(A)
DA05015_12E	B S	12	7.0~13.2	0.04	0.48	4000	0.28	10.00	2.75	0.11	24.0
DA05015_12L	B S	12	7.0~13.2	0.12	1.44	4800	0.34	11.84	3.76	0.15	28.0
DA05015_12M	B S	12	7.0~13.2	0.15	1.80	5600	0.39	13.81	5.12	0.20	32.0
*DA05015_12H	B S	12	7.0~13.2	0.21	2.52	6400	0.45	15.79	6.97	0.27	36.0
(Mark " * " may be researched to be the new current balance or speed rank or the more fit of part number needed if there is the optimal one in future.)											

*Function type is optional. *All reading are typical values at rated voltage *Specifications are subject to change without notice
 * Bearing system B: Two Ball Bearing R: Hydraulic Bearing S: Sleeve Bearing *Weight : 31g



BRUSHLESS DC AXIAL FAN



DA SERIES 50*50*20 mm

- Frame: Thermoplastic PBT +30%GF(94V-0).
- Impeller: Thermoplastic PBT +15%GF(94V-0).
- Storage temperature: -40°C to +75°C
- Operating temperature: -10°C to +70°C(B) / +60°C(R/S).

Major Characteristic Parameters

Model	Bearing System	Rated Voltage	Operating Voltage Range	Rated Current	Rated Power	Rated Speed	Maximum Air Flow		Maximum Static Pressure		Sound Level
Part NO.	B / R / S	V	V	A	Watt	RPM	m ³ /min	CFM	mm-H ₂ O	In-H ₂ O	dB(A)
DA05020_12L	B S	12	7.0~13.2	0.10	1.20	4000	0.29	10.10	2.42	0.10	24.0
DA05020_24L	B S	24	14.0~26.4	0.07	1.68	4000	0.29	10.10	2.42	0.10	24.0
DA05020_12M	B S	12	7.0~13.2	0.13	1.56	4800	0.36	12.70	3.48	0.14	28.0
DA05020_24M	B S	24	14.0~26.4	0.08	1.92	4800	0.36	12.70	3.48	0.14	28.0
DA05020_12H	B S	12	7.0~13.2	0.15	1.80	5600	0.42	14.80	4.62	0.18	32.0
DA05020_24H	B S	24	14.0~26.4	0.10	2.40	5600	0.42	14.80	4.62	0.18	32.0
DA05020_12U	B S	12	7.0~13.2	0.21	2.52	6400	0.50	17.60	6.44	0.25	36.0
DA05020_24U	B S	24	14.0~26.4	0.12	2.88	6400	0.50	17.60	6.44	0.25	36.0
DA05020_12S	B S	12	7.0~13.2	0.27	3.24	7000	0.57	20.30	7.70	0.30	38.0
DA05020_24S	B S	24	14.0~26.4	0.16	3.84	7000	0.57	20.30	7.70	0.30	38.0

(Mark " * " may be researched to be the new current balance or speed rank or the more fit of part number needed if there is the optimal one in future.)

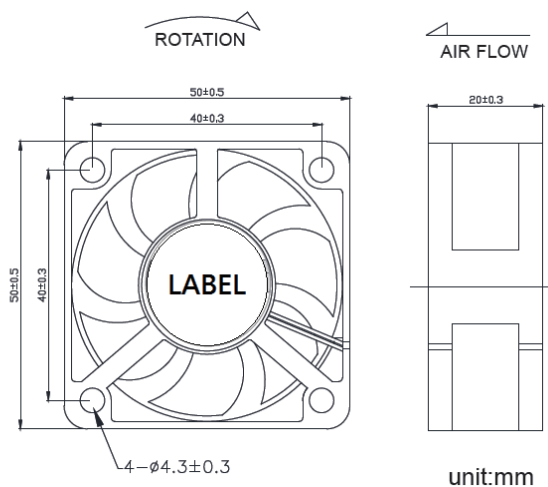
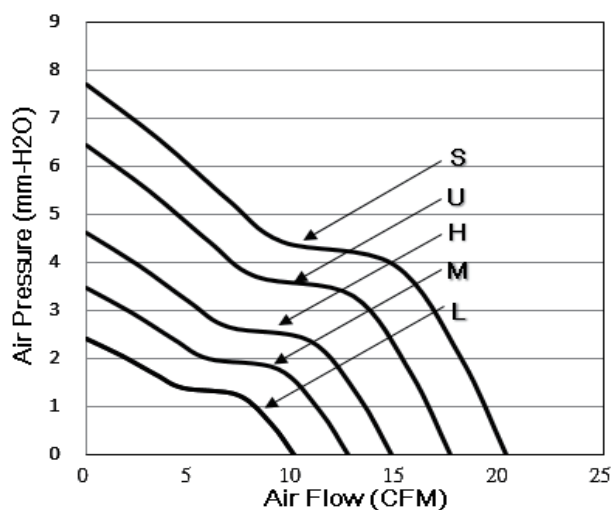
*Function type is optional.

*All reading are typical values at rated voltage

*Specifications are subject to change without notice

* Bearing system B: Two Ball Bearing R: Hydraulic Bearing S: Sleeve Bearing

*Weight : 40g



BRUSHLESS DC AXIAL FAN



DA SERIES 60*60*10 mm

- Frame: Thermoplastic PBT +30%GF(94V-0).
- Impeller: Thermoplastic PBT +15%GF(94V-0).
- Storage temperature: -40°C to +75°C
- Operating temperature: -10°C to +70°C(B) / +60°C(R/S).

Major Characteristic Parameters

Model	Bearing System	Rated Voltage	Operating Voltage Range	Rated Current	Rated Power	Rated Speed	Maximum Air Flow		Maximum Static Pressure		Sound Level
							m ³ /min	CFM	mm-H ₂ O	In-H ₂ O	
Part NO.	B / R / S	V	V	A	Watt	RPM					dBa
DA06010_05L	B R S	5	4.5~5.5	0.30	1.50	3500	0.49	17.40	2.10	0.08	28.0
DA06010_12L	B R S	12	7.0~13.2	0.14	1.68	3500	0.49	17.40	2.10	0.08	28.0
DA06010_24L	B R S	24	14.0~26.4	0.05	1.20	3500	0.49	17.40	2.10	0.08	28.0
DA06010_05M	B R S	5	4.5~5.5	0.38	1.90	4200	0.59	20.80	3.00	0.12	33.0
DA06010_12M	B R S	12	7.0~13.2	0.17	2.04	4200	0.59	20.80	3.00	0.12	33.0
DA06010_24M	B R S	24	14.0~26.4	0.08	1.92	4200	0.59	20.80	3.00	0.12	33.0
DA06010_12H	B R S	12	7.0~13.2	0.24	2.88	4900	0.69	24.30	4.10	0.16	37.0
DA06010_24H	B R S	24	14.0~26.4	0.10	2.40	4900	0.69	24.30	4.10	0.16	37.0
(Mark " * " may be researched to be the new current balance or speed rank or the more fit of part number needed if there is the optimal one in future.)											

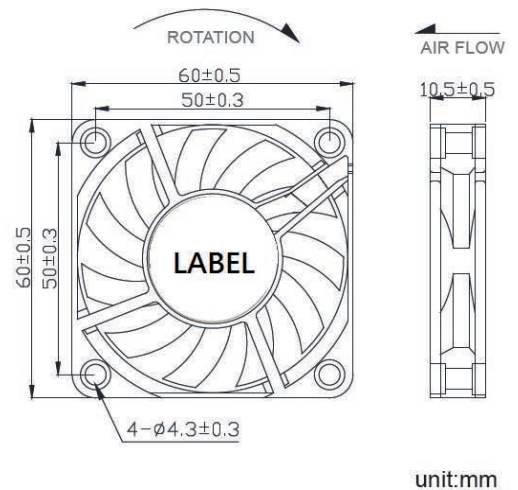
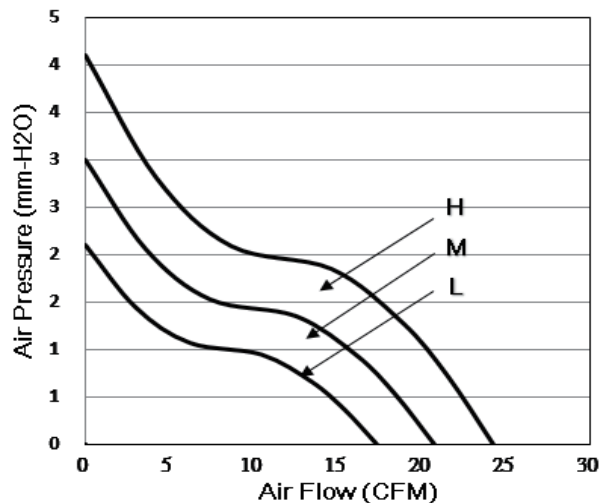
*Function type is optional.

*All reading are typical values at rated voltage

*Specifications are subject to change without notice

* Bearing system B: Two Ball Bearing R: Hydraulic Bearing S: Sleeve Bearing

*Weight : 26g



BRUSHLESS DC AXIAL FAN



DA SERIES 60*60*15 mm

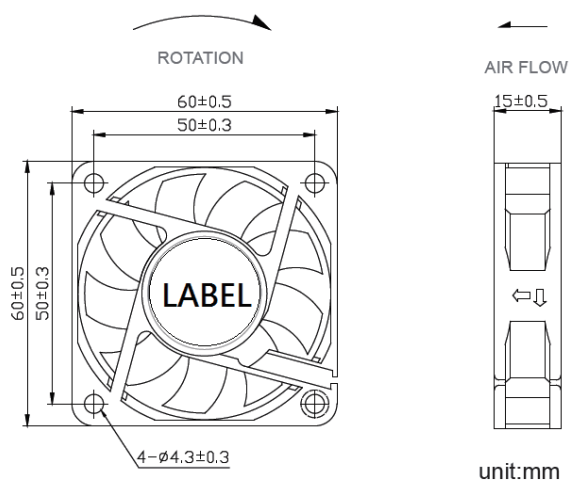
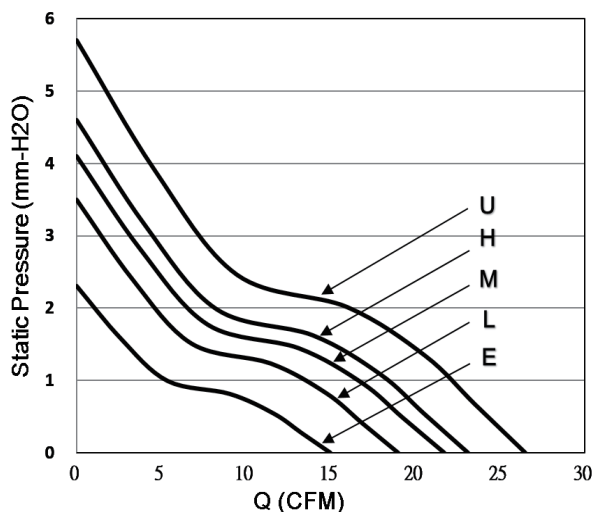
- Frame: Thermoplastic PBT +30%GF(94V-0).
- Impeller: Thermoplastic PBT +15%GF(94V-0).
- Storage temperature: -40°C to +75°C
- Operating temperature: -10°C to +70°C(B) / +60°C(R/S).

Major Characteristic Parameters

Model	Bearing System	Rated Voltage	Operating Voltage Range	Rated Current	Rated Power	Rated Speed	Maximum Air Flow		Maximum Static Pressure		Sound Level
Part NO.	B / R / S	V	V	A	Watt	RPM	m ³ /min	CFM	mm-H ₂ O	In-H ₂ O	dB(A)
DA06015_12E	B S	12	7.0~13.2	0.06	0.72	3000	0.42	15.00	2.30	0.09	24.0
DA06015_12L	B S	12	7.0~13.2	0.08	0.96	3500	0.54	19.00	3.50	0.14	29.0
DA06015_12M	B S	12	7.0~13.2	0.10	1.20	4000	0.61	21.70	4.10	0.16	32.0
DA06015_24M	B S	24	14.0~26.4	0.05	1.20	4000	0.61	21.70	4.10	0.16	32.0
DA06015_12H	B S	12	7.0~13.2	0.12	1.44	4500	0.65	23.10	4.60	0.18	35.0
DA06015_24H	B S	24	14.0~26.4	0.08	1.92	4500	0.65	23.10	4.60	0.18	35.0
DA06015_12U	B S	12	7.0~13.2	0.17	2.04	5000	0.75	26.50	5.70	0.22	37.0

(Mark " * " may be researched to be the new current balance or speed rank or the more fit of part number needed if there is the optimal one in future.)

*Function type is optional. *All reading are typical values at rated voltage *Specifications are subject to change without notice
 * Bearing system B: Two Ball Bearing R: Hydraulic Bearing S: Sleeve Bearing *Weight : 44g



BRUSHLESS DC AXIAL FAN



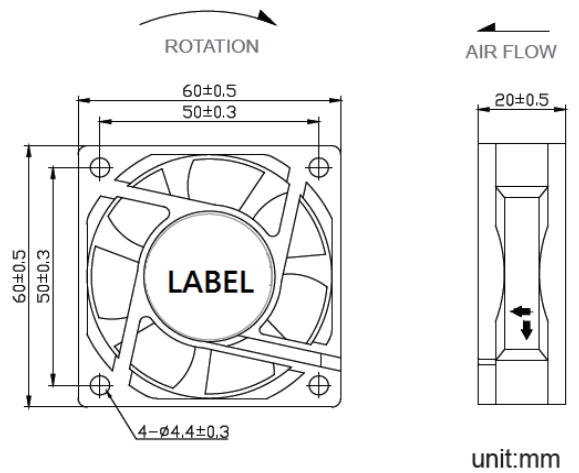
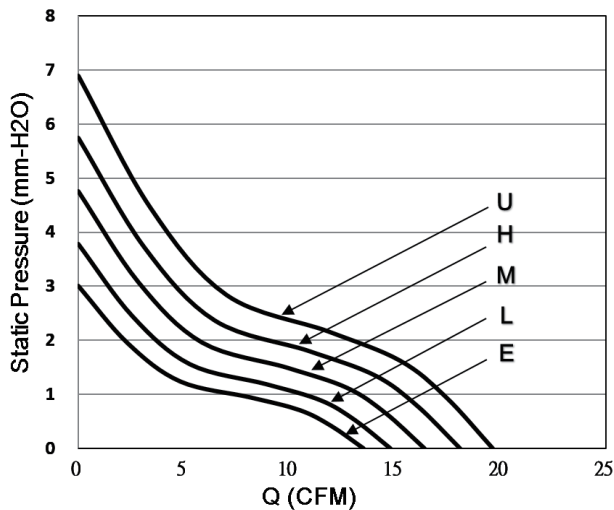
DA SERIES 60*60*20 mm

- Frame: Thermoplastic PBT +30%GF(94V-0).
- Impeller: Thermoplastic PBT +15%GF(94V-0).
- Storage temperature: -40°C to +75°C
- Operating temperature: -10°C to +70°C(B) / +60°C(R/S).

Major Characteristic Parameters

Model	Bearing System	Rated Voltage	Operating Voltage Range	Rated Current	Rated Power	Rated Speed	Maximum Air Flow		Maximum Static Pressure		Sound Level
Part NO.	B / R / S	V	V	A	Watt	RPM	m ³ /min	CFM	mm-H ₂ O	In-H ₂ O	dBA
DA06020_12E	B S	12	7.0~13.2	0.07	0.84	3200	0.38	13.50	3.00	0.12	24.0
DA06020_12L	B S	12	7.0~13.2	0.09	1.08	3600	0.42	14.80	3.80	0.15	26.0
DA06020_12M	B S	12	7.0~13.2	0.11	1.32	4000	0.46	16.40	4.80	0.19	29.0
DA06020_12H	B S	12	7.0~13.2	0.13	1.56	4400	0.51	18.10	5.80	0.23	31.0
DA06020_12U	B S	12	7.0~13.2	0.17	2.04	4800	0.56	19.60	6.90	0.27	33.0
(Mark " * " may be researched to be the new current balance or speed rank or the more fit of part number needed if there is the optimal one in future.)											

*Function type is optional. *All reading are typical values at rated voltage *Specifications are subject to change without notice
 * Bearing system B: Two Ball Bearing R: Hydraulic Bearing S: Sleeve Bearing *Weight : 50g



BRUSHLESS DC AXIAL FAN



DA

SERIES **60*60*25 mm**

- Frame: Thermoplastic PBT +30%GF(94V-0).
- Impeller: Thermoplastic PBT +15%GF(94V-0).
- Storage temperature: -40°C to +75°C
- Operating temperature: -10°C to +70°C(B) / +60°C(R/S).

Major Characteristic Parameters

Model	Bearing System	Rated Voltage	Operating Voltage Range	Rated Current	Rated Power	Rated Speed	Maximum Air Flow		Maximum Static Pressure		Sound Level
Part NO.	B / R / S	V	V	A	Watt	RPM	m ³ /min	CFM	mm-H ₂ O	In-H ₂ O	dB(A)
DA06025_12E	B R S	12	7.0~13.2	0.10	1.20	3100	0.40	14.10	2.50	0.10	26.0
DA06025_24E	B R S	24	14.0~26.4	0.06	1.44	3100	0.40	14.10	2.50	0.10	26.0
*DA06025_48E	B R S	48	28.0~56.0	0.05	2.40	3100	0.40	14.10	2.50	0.10	26.0
DA06025_12L	B R S	12	7.0~13.2	0.12	1.44	3600	0.52	18.50	3.60	0.14	31.0
DA06025_24L	B R S	24	14.0~26.4	0.08	1.92	3600	0.52	18.50	3.60	0.14	31.0
DA06025_48L	B R S	48	28.0~56.0	0.06	2.88	3600	0.52	18.50	3.60	0.14	31.0
DA06025_12M	B R S	12	7.0~13.2	0.16	1.92	4250	0.61	21.50	4.80	0.19	34.0
DA06025_24M	B R S	24	14.0~26.4	0.11	2.64	4250	0.61	21.50	4.80	0.19	34.0
DA06025_48M	B R S	48	28.0~56.0	0.07	3.36	4250	0.61	21.50	4.80	0.19	34.0
DA06025_12H	B R S	12	7.0~13.2	0.25	3.00	5000	0.72	25.60	6.50	0.26	40.0
DA06025_24H	B R S	24	14.0~26.4	0.20	4.80	5000	0.72	25.60	6.50	0.26	40.0
DA06025_48H	B R S	48	28.0~56.0	0.12	5.76	5000	0.72	25.60	6.50	0.26	40.0
DA06025_12U	B R S	12	7.0~13.2	0.31	3.72	5500	0.80	28.18	7.84	0.31	42.1

(Mark " * " may be researched to be the new current balance or speed rank or the more fit of part number needed if there is the optimal one in future.)

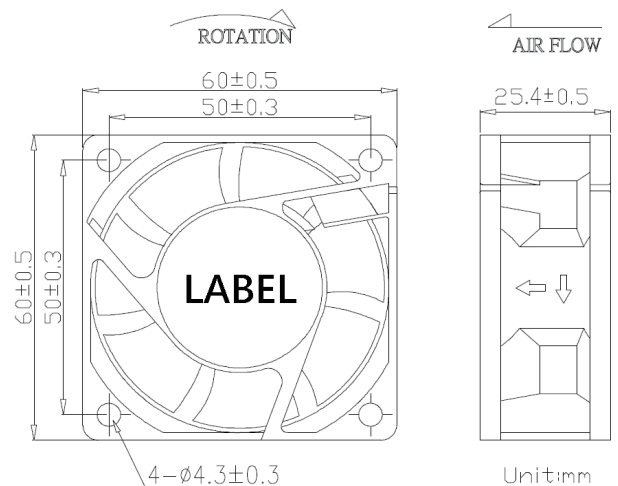
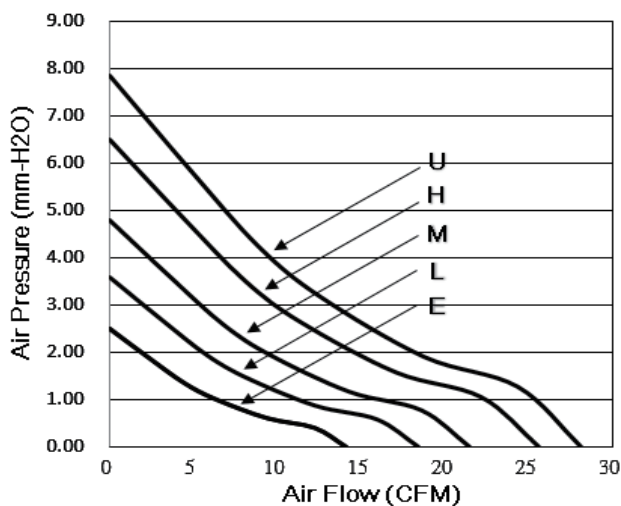
*Function type is optional.

*All reading are typical values at rated voltage

*Specifications are subject to change without notice

* Bearing system B: Two Ball Bearing R: Hydraulic Bearing S: Sleeve Bearing

*Weight : 62g



BRUSHLESS DC AXIAL FAN



DATA SERIES 60*60*25 mm

- Frame: Thermoplastic PBT +30%GF(94V-0).
- Impeller: Thermoplastic PBT +15%GF(94V-0).
- Storage temperature: -40°C to +75°C
- Operating temperature: -10°C to +70°C(B) / +60°C(R/S).

Major Characteristic Parameters

Model	Bearing System	Rated Voltage	Operating Voltage Range	Rated Current	Rated Power	Rated Speed	Maximum Air Flow		Maximum Static Pressure		Sound Level
Part NO.	B / R / S	V	V	A	Watt	RPM	m ³ /min	CFM	mm-H ₂ O	In-H ₂ O	dB(A)
DATA0625_2L	B R S	12	7~13.2	0.08	0.96	3100	0.48	17.10	3.10	0.12	26.0
DATA0625_4L	B R S	24	14~26.4	0.04	0.96	3100	0.48	17.10	3.10	0.12	26.0
DATA0625_2M	B R S	12	7~13.2	0.12	1.44	3600	0.61	21.50	4.00	0.16	31.0
DATA0625_4M	B R S	24	14~26.4	0.06	1.44	3600	0.61	21.50	4.00	0.16	31.0
DATA0625_2H	B R S	12	7~13.2	0.15	1.80	4250	0.68	24.00	5.60	0.22	34.0
DATA0625_4H	B R S	24	14~26.4	0.08	1.92	4250	0.68	24.00	5.60	0.22	34.0
DATA0625_8H	B R S	48	28~56	0.06	2.88	4250	0.68	24.00	5.60	0.22	34.0
DATA0625_2U	B R S	12	7~13.2	0.20	2.40	5000	0.95	33.60	6.30	0.25	40.0
DATA0625_4U	B R S	24	14~26.4	0.16	3.84	5000	0.95	33.60	6.30	0.25	40.0
DATA0625_8U	B R S	48	28~56	0.10	4.80	5000	0.95	33.60	6.30	0.25	40.0
DATA0625_2S	B	12	7~13.2	0.40	4.80	6800	1.24	43.80	14.20	0.56	56.0
DATA0625_4S	B	24	14~26.4	0.18	4.32	6800	1.24	43.80	14.20	0.56	56.0
DATA0625_8S	B	48	28~56	0.12	5.76	6800	1.24	43.80	14.20	0.56	56.0
DATA0625_2F	B	12	7~13.2	0.43	5.16	7500	1.36	47.90	20.00	0.79	62.5
DATA0625_2G	B	12	7~13.2	0.96	11.52	9800	1.57	55.50	29.72	1.17	66.0

(Mark " * " may be researched to be the new current balance or speed rank or the more fit of part number needed if there is the optimal one in future.)

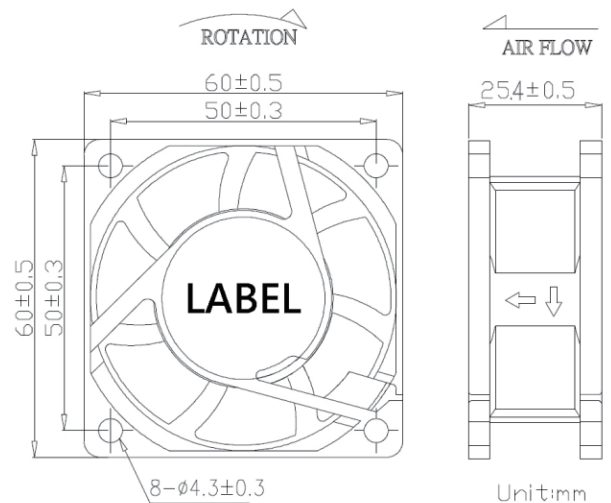
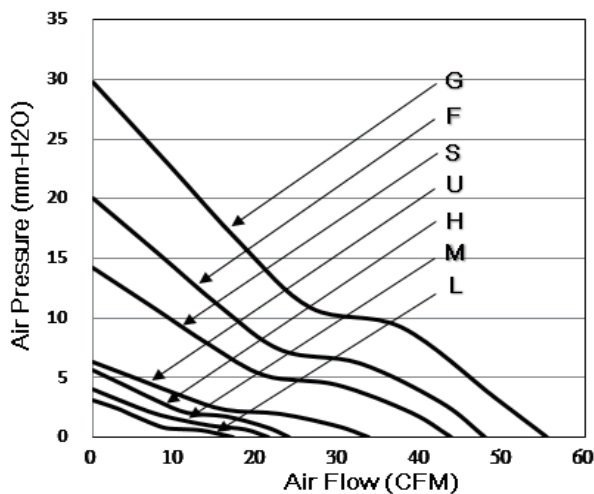
*Function type is optional.

*All reading are typical values at rated voltage

*Specifications are subject to change without notice

* Bearing system B: Two Ball Bearing R: Hydraulic Bearing S: Sleeve Bearing

*Weight : 57g



BRUSHLESS DC AXIAL FAN



2B

SERIES 60*60*38 mm

- Frame: Thermoplastic PBT +30%GF(94V-0).
- Impeller: Thermoplastic PBT +15%GF(94V-0).
- Storage temperature: -40°C to +75°C
- Operating temperature: -10°C to +70°C(B) / +60°C(R/S).

Major Characteristic Parameters

Model	Bearing System	Rated Voltage	Operating Voltage Range	Rated Current	Rated Power	Rated Speed	Maximum Air Flow		Maximum Static Pressure		Sound Level
Part NO.	B / R / S	V	V	A	Watt	RPM	m ³ /min	CFM	mm-H ₂ O	In-H ₂ O	dB(A)
2B06038_12L	B	12	7.0~13.2	0.52	6.24	8000	1.22	43.10	22.90	0.90	51.0
2B06038_24L	B	24	14.0~26.4	0.32	7.68	8000	1.22	43.10	22.90	0.90	51.0
2B06038_48L	B	48	28.0~56.0	0.18	8.64	8000	1.22	43.10	22.90	0.90	51.0
2B06038_12M	B	12	7.0~13.2	0.68	8.16	9000	1.42	50.00	30.00	1.18	53.5
2B06038_24M	B	24	14.0~26.4	0.40	9.60	9000	1.42	50.00	30.00	1.18	53.5
2B06038_48M	B	48	28.0~56.0	0.20	9.60	9000	1.42	50.00	30.00	1.18	53.5
2B06038_12H	B	12	7.0~13.2	1.00	12.00	10000	1.56	55.20	35.80	1.41	57.0
2B06038_24H	B	24	14.0~26.4	0.53	12.72	10000	1.56	55.20	35.80	1.41	57.0
2B06038_48H	B	48	28.0~56.0	0.34	16.32	10000	1.56	55.20	35.80	1.41	57.0
2B06038_12U	B	12	7.0~13.2	1.38	16.56	12000	1.91	67.30	52.60	2.07	61.8
2B06038_24U	B	24	14.0~26.4	0.75	18.00	12000	1.91	67.30	52.60	2.07	61.8
2B06038_48U	B	48	28.0~56.0	0.54	25.92	12000	1.91	67.30	52.60	2.07	61.8

(Mark " * " may be researched to be the new current balance or speed rank or the more fit of part number needed if there is the optimal one in future.)

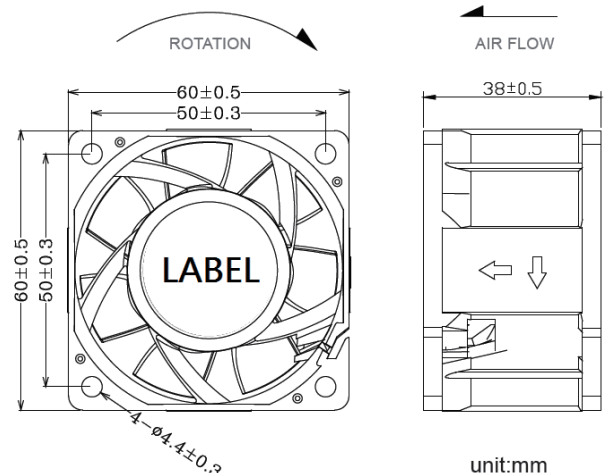
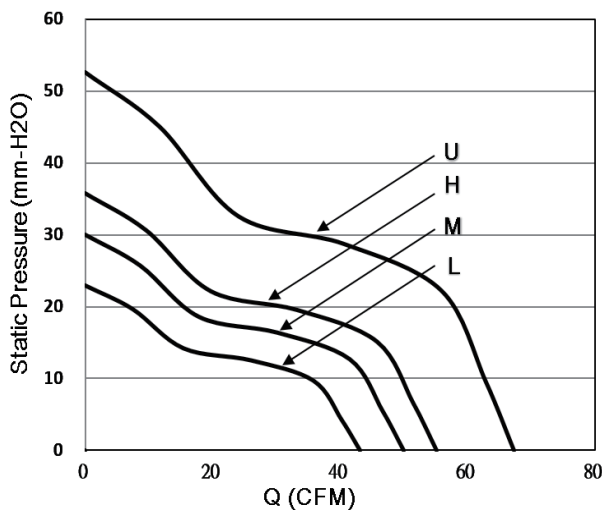
*Function type is optional.

*All reading are typical values at rated voltage

*Specifications are subject to change without notice

* Bearing system B: Two Ball Bearing R: Hydraulic Bearing S: Sleeve Bearing

*Weight : 145g



BRUSHLESS DC AXIAL FAN



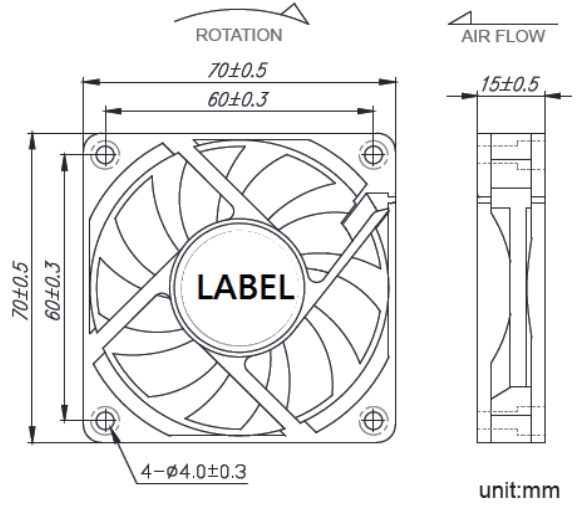
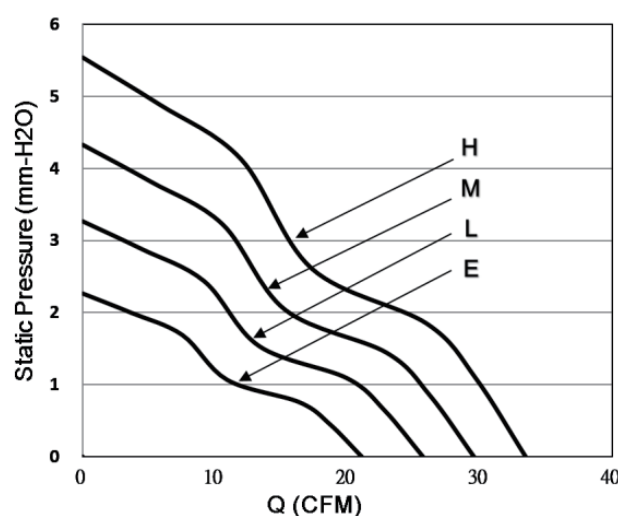
DA SERIES 70*70*15 mm

- Frame: Thermoplastic PBT +30%GF(94V-0).
- Impeller: Thermoplastic PBT +15%GF(94V-0).
- Storage temperature: -40°C to +75°C
- Operating temperature: -10°C to +70°C(B) / +60°C(R/S).

Major Characteristic Parameters

Model	Bearing System	Rated Voltage	Operating Voltage Range	Rated Current	Rated Power	Rated Speed	Maximum Air Flow		Maximum Static Pressure		Sound Level
Part NO.	B / R / S	V	V	A	Watt	RPM	m ³ /min	CFM	mm-H ₂ O	In-H ₂ O	dBA
*DA07015_12E	B S	12	7.0~13.2	0.10	1.20	2800	0.60	21.10	2.30	0.09	27.0
DA07015_12L	B S	12	7.0~13.2	0.12	1.44	3300	0.73	25.70	3.30	0.13	31.0
DA07015_12M	B S	12	7.0~13.2	0.17	2.04	3800	0.84	29.60	4.30	0.17	35.0
DA07015_12H	B S	12	7.0~13.2	0.25	3.00	4300	0.95	33.50	5.50	0.22	39.0
(Mark " * " may be researched to be the new current balance or speed rank or the more fit of part number needed if there is the optimal one in future.)											

*Function type is optional. *All reading are typical values at rated voltage
 * Bearing system B: Two Ball Bearing R: Hydraulic Bearing S: Sleeve Bearing *Specifications are subject to change without notice
 *Weight : 50g



BRUSHLESS DC AXIAL FAN



DS SERIES 70*70*25 mm

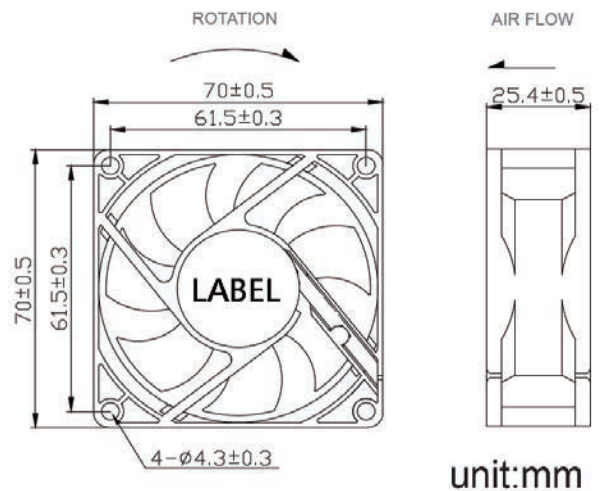
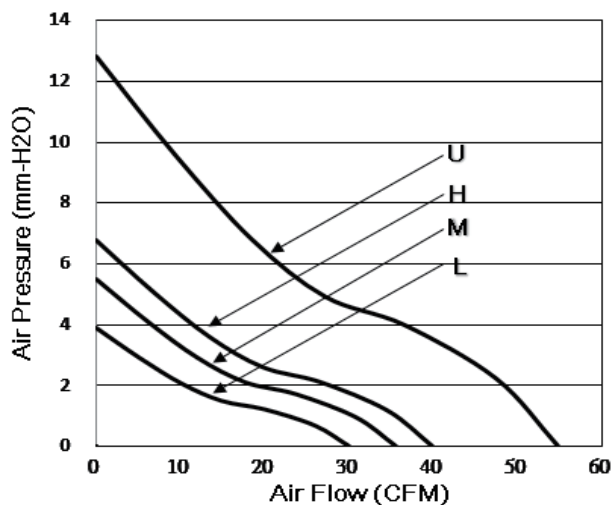
- Frame: Thermoplastic PBT +30%GF(94V-0).
- Impeller: Thermoplastic PBT +15%GF(94V-0).
- Storage temperature: -40°C to +75°C
- Operating temperature: -10°C to +70°C(B) / +60°C(R/S).

Major Characteristic Parameters

Model	Bearing System	Rated Voltage	Operating Voltage Range	Rated Current	Rated Power	Rated Speed	Maximum Air Flow		Maximum Static Pressure		Sound Level
Part NO.	B / R / S	V	V	A	Watt	RPM	m ³ /min	CFM	mm-H ₂ O	In-H ₂ O	dBA
DS07025_12L	B S	12	7~13.2	0.07	0.84	3000	0.85	30.00	3.90	0.15	27.0
DS07025_24L	B S	24	14~26.4	0.05	1.20	3000	0.85	30.00	3.90	0.15	27.0
DS07025_12M	B S	12	7~13.2	0.13	1.56	3600	1.01	35.60	5.50	0.22	32.0
DS07025_24M	B S	24	14~26.4	0.12	2.88	3600	1.01	35.60	5.50	0.22	32.0
DS07025_12H	B S	12	7~13.2	0.20	2.40	4000	1.13	39.90	6.80	0.27	37.0
DS07025_24H	B S	24	14~26.4	0.14	3.36	4000	1.13	39.90	6.80	0.27	37.0
DS07025_12U	B	12	7~13.2	0.30	3.60	5500	1.55	54.80	12.80	0.50	45.0
DS07025_24U	B	24	14~26.4	0.16	3.84	5500	1.55	54.80	12.80	0.50	45.0

(Mark " * " may be researched to be the new current balance or speed rank or the more fit of part number needed if there is the optimal one in future.)

*Function type is optional. *All reading are typical values at rated voltage *Specifications are subject to change without notice
 * Bearing system B: Two Ball Bearing R: Hydraulic Bearing S: Sleeve Bearing *Weight : 74g



BRUSHLESS DC AXIAL FAN



DA SERIES 80*80*15 mm

- Frame: Thermoplastic PBT +30%GF(94V-0).
- Impeller: Thermoplastic PBT +15%GF(94V-0).
- Storage temperature: -40°C to +75°C
- Operating temperature: -10°C to +70°C(B) / +60°C(R/S).

Major Characteristic Parameters

Model	Bearing System	Rated Voltage	Operating Voltage Range	Rated Current	Rated Power	Rated Speed	Maximum Air Flow		Maximum Static Pressure		Sound Level
Part NO.	B / R / S	V	V	A	Watt	RPM	m ³ /min	CFM	mm-H ₂ O	In-H ₂ O	dB(A)
DA08015_12E	B S	12	7.0~13.2	0.06	0.72	2400	0.62	21.90	1.35	0.05	28.0
DA08015_24E	B S	24	14.0~26.4	0.04	0.96	2400	0.62	21.90	1.35	0.05	28.0
DA08015_12L	B S	12	7.0~13.2	0.08	0.96	2700	0.78	27.50	2.23	0.09	31.0
DA08015_24L	B S	24	14.0~26.4	0.06	1.44	2700	0.78	27.50	2.23	0.09	31.0
DA08015_12M	B S	12	7.0~13.2	0.11	1.32	3100	0.89	31.40	2.61	0.10	34.0
DA08015_24M	B S	24	14.0~26.4	0.08	1.92	3100	0.89	31.40	2.61	0.10	34.0
DA08015_12H	B S	12	7.0~13.2	0.15	1.80	3600	1.06	37.60	3.78	0.15	39.0
DA08015_24H	B S	24	14.0~26.4	0.09	2.16	3600	1.06	37.60	3.78	0.15	39.0
DA08015_12U	B S	12	7.0~13.2	0.30	3.60	4500	1.25	44.20	4.95	0.19	43.0
DA08015_24U	B S	24	14.0~26.4	0.18	4.32	4500	1.25	44.20	4.95	0.19	43.0
(Mark " * " may be researched to be the new current balance or speed rank or the more fit of part number needed if there is the optimal one in future.)											

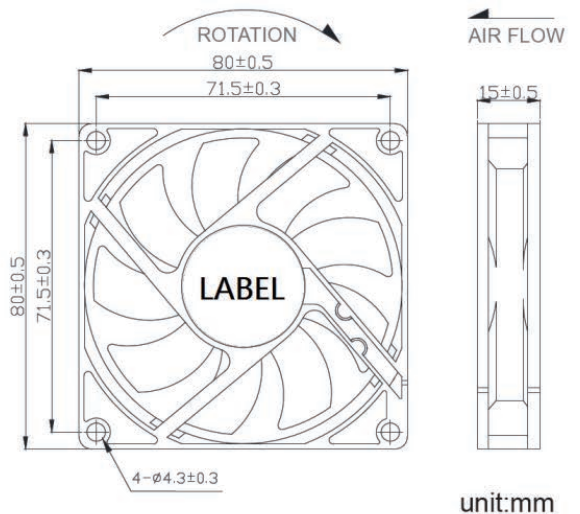
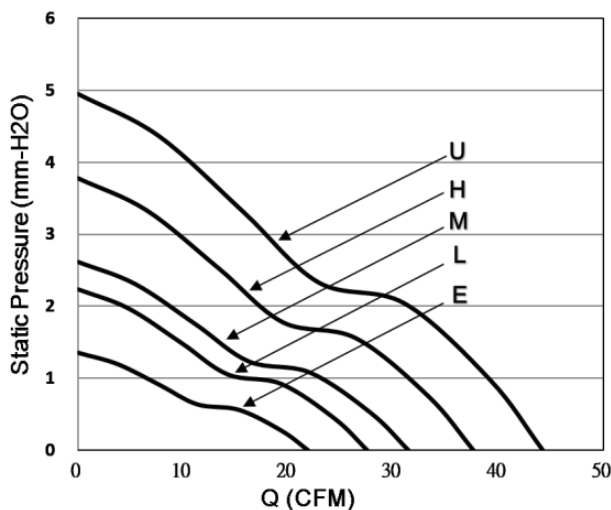
*Function type is optional.

*All reading are typical values at rated voltage

*Specifications are subject to change without notice

* Bearing system B: Two Ball Bearing R: Hydraulic Bearing S: Sleeve Bearing

*Weight : 54g



BRUSHLESS DC AXIAL FAN



DA SERIES 80*80*20 mm

- Frame: Thermoplastic PBT +30%GF(94V-0).
- Impeller: Thermoplastic PBT +15%GF(94V-0).
- Storage temperature: -40°C to +75°C
- Operating temperature: -10°C to +70°C(B) / +60°C(R/S).

Major Characteristic Parameters

Model	Bearing System	Rated Voltage	Operating Voltage Range	Rated Current	Rated Power	Rated Speed	Maximum Air Flow		Maximum Static Pressure		Sound Level
							m ³ /min	CFM	mm-H ₂ O	In-H ₂ O	
Part NO.	B / R / S	V	V	A	Watt	RPM					dB(A)
DA08020_12E	B S	12	7.0~13.2	0.13	1.56	2400	0.78	27.40	2.20	0.09	25.0
DA08020_24E	B S	24	14.0~26.4	0.07	1.68	2400	0.78	27.40	2.20	0.09	25.0
DA08020_12L	B S	12	7.0~13.2	0.16	1.92	2700	0.88	31.20	2.80	0.11	29.0
DA08020_24L	B S	24	14.0~26.4	0.09	2.16	2700	0.88	31.20	2.80	0.11	29.0
DA08020_12M	B S	12	7.0~13.2	0.18	2.16	3100	1.04	36.90	3.70	0.15	34.0
DA08020_24M	B S	24	14.0~26.4	0.12	2.88	3100	1.04	36.90	3.70	0.15	34.0
DA08020_12H	B S	12	7.0~13.2	0.24	2.88	3400	1.15	40.50	4.50	0.18	36.0
DA08020_24H	B S	24	14.0~26.4	0.17	4.08	3400	1.15	40.50	4.50	0.18	36.0
DA08020_12U	B S	12	7.0~13.2	0.30	3.60	4300	1.45	51.20	7.20	0.28	43.0
DA08020_24U	B S	24	14.0~26.4	0.20	4.80	4300	1.45	51.20	7.20	0.28	43.0
(Mark " * " may be researched to be the new current balance or speed rank or the more fit of part number needed if there is the optimal one in future.)											

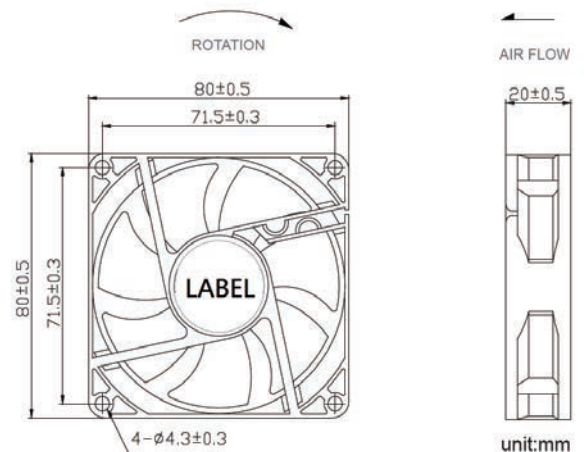
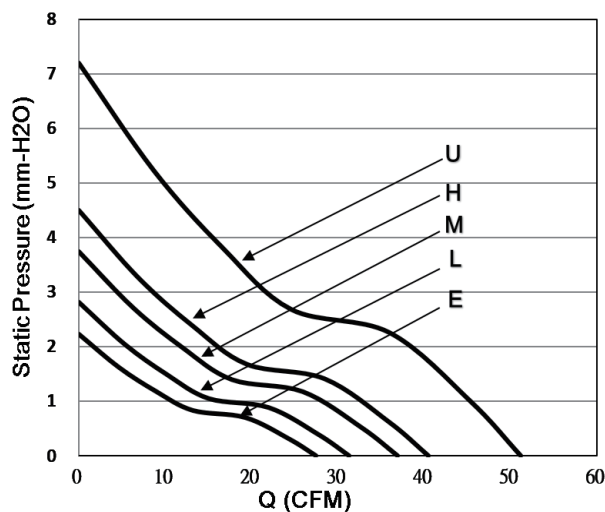
*Function type is optional.

*All reading are typical values at rated voltage

*Specifications are subject to change without notice

* Bearing system B: Two Ball Bearing R: Hydraulic Bearing S: Sleeve Bearing

*Weight : 76g



BRUSHLESS DC AXIAL FAN



DA SERIES 80*80*25 mm

- Frame: Thermoplastic PBT +30%GF(94V-0).
- Impeller: Thermoplastic PBT +15%GF(94V-0).
- Storage temperature: -40°C to +75°C
- Operating temperature: -10°C to +70°C(B) / +60°C(R/S).

Major Characteristic Parameters

Model	Bearing System	Rated Voltage	Operating Voltage Range	Rated Current	Rated Power	Rated Speed	Maximum Air Flow		Maximum Static Pressure		Sound Level
							m ³ /min	CFM	mm-H ₂ O	In-H ₂ O	
Part NO.	B / R / S	V	V	A	Watt	RPM	m ³ /min	CFM	mm-H ₂ O	In-H ₂ O	dBA
DA08025_12E	B R S	12	7.0~13.2	0.13	1.56	2700	0.98	34.60	3.14	0.12	28.0
DA08025_12L	B R S	12	7.0~13.2	0.15	1.80	3000	1.09	38.46	3.88	0.15	31.0
*DA08025_24L	B R S	24	14.0~26.4	0.11	2.64	3000	1.09	38.46	3.88	0.15	31.0
DA08025_12M	B R S	12	7.0~13.2	0.23	2.76	3600	1.31	46.14	5.45	0.21	36.0
DA08025_24M	B R S	24	14.0~26.4	0.16	3.84	3600	1.31	46.14	5.45	0.21	36.0
DA08025_48M	B R S	48	28.0~56.0	0.07	3.36	3600	1.31	46.14	5.45	0.21	36.0
DA08025_12H	B R S	12	7.0~13.2	0.32	3.84	4300	1.56	54.99	7.40	0.29	40.0
DA08025_24H	B R S	24	14.0~26.4	0.23	5.52	4300	1.56	54.99	7.40	0.29	40.0
*DA08025_48H	B R S	48	28.0~56.0	0.11	5.28	4300	1.56	54.99	7.40	0.29	40.0
(Mark " * " may be researched to be the new current balance or speed rank or the more fit of part number needed if there is the optimal one in future.)											

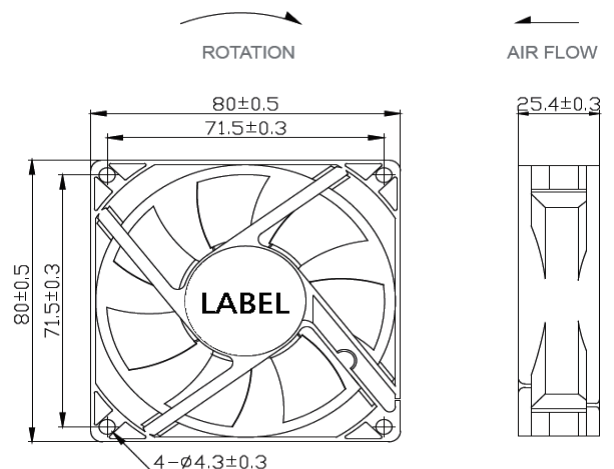
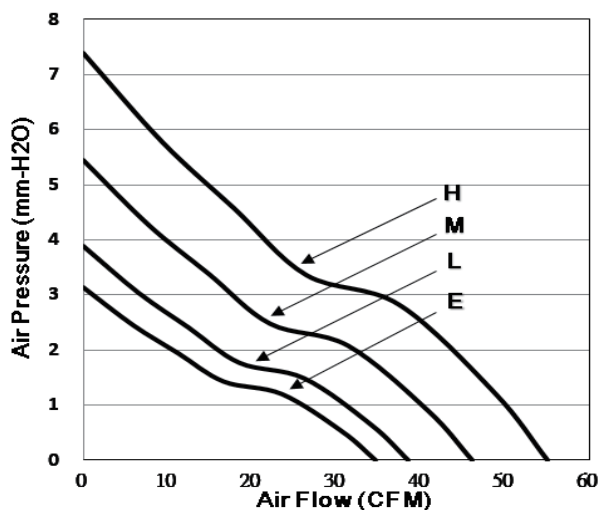
*Function type is optional.

*All reading are typical values at rated voltage

*Specifications are subject to change without notice

* Bearing system B: Two Ball Bearing R: Hydraulic Bearing S: Sleeve Bearing

*Weight : 76g



BRUSHLESS DC AXIAL FAN



DASA SERIES **80*80*32 mm**

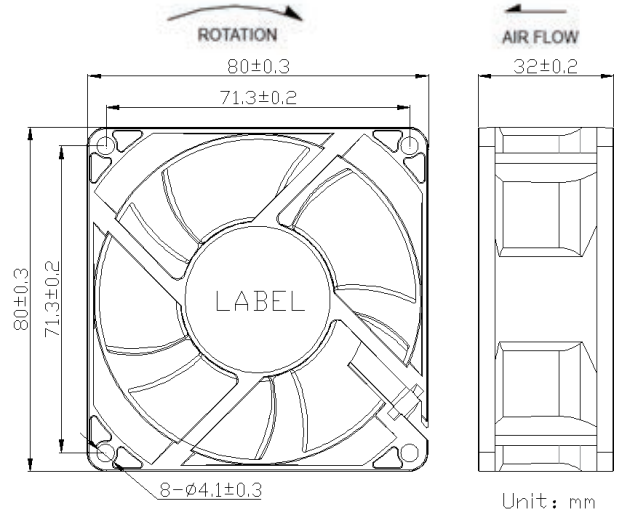
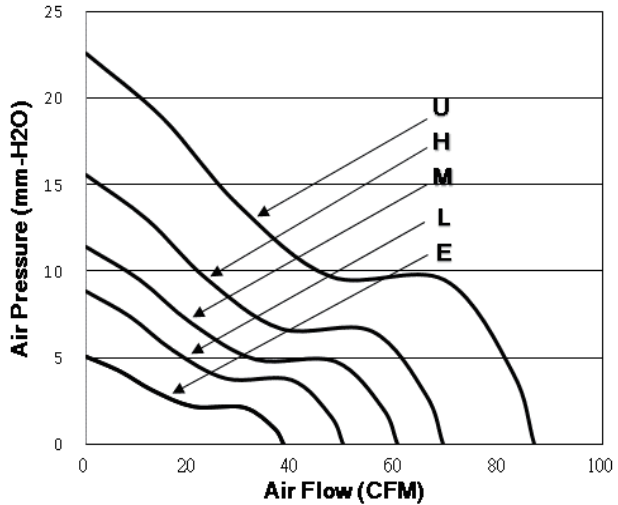
- Frame: Thermoplastic PBT +30%GF(94V-0).
- Impeller: Thermoplastic PBT +15%GF(94V-0).
- Storage temperature: -40°C to +75°C
- Operating temperature: -10°C to +70°C(B) / +60°C(R/S).

Major Characteristic Parameters

Model	Bearing System	Rated Voltage	Operating Voltage Range	Rated Current	Rated Power	Rated Speed	Maximum Air Flow		Maximum Static Pressure		Sound Level
Part NO.	B / R / S	V	V	A	Watt	RPM	m ³ /min	CFM	mm-H ₂ O	In-H ₂ O	dBA
DASA0832_2E	B	12	7.0~13.2	0.15	1.80	3000	1.08	38.20	5.02	0.20	30.6
DASA0832_2L	B	12	7.0~13.2	0.30	3.60	4000	1.41	49.70	8.82	0.35	39.2
DASA0832_2M	B	12	7.0~13.2	0.35	4.20	4800	1.71	60.40	11.38	0.45	44.9
DASA0832_2H	B	12	7.0~13.2	0.46	5.52	5500	1.96	69.10	15.53	0.61	48.4
DASA0832_2U	B	12	7.0~13.2	0.65	7.80	6300	2.39	84.34	19.37	0.76	52.2

(Mark " * " may be researched to be the new current balance or speed rank or the more fit of part number needed if there is the optimal one in future.)

*Function type is optional. *All reading are typical values at rated voltage *Specifications are subject to change without notice
 * Bearing system B: Two Ball Bearing R: Hydraulic Bearing S: Sleeve Bearing *Weight : 120g



BRUSHLESS DC AXIAL FAN



2B SERIES 80*80*38 mm

- Frame: Thermoplastic PBT +30%GF(UL94V-0).
- Impeller: Thermoplastic PBT +15%GF(UL94V-0).
- Storage temperature: -40°C to +75°C
- Operating temperature: -10°C to +70°C(B) / +60°C(R/S).

Major Characteristic Parameters

Model	Bearing System	Rated Voltage	Operating Voltage Range	Rated Current	Rated Power	Rated Speed	Maximum Air Flow		Maximum Static Pressure		Sound Level
Part NO.	B / R / S	V	V	A	Watt	RPM	m ³ /min	CFM	mm-H ₂ O	In-H ₂ O	dB(A)
2B08038_12E	B	12	7~13.2	0.34	4.08	4000	1.58	55.85	9.88	0.39	44.3
2B08038_24E	B	24	14~26.4	0.17	4.08	4000	1.58	55.85	9.88	0.39	44.3
2B08038_12L	B	12	7~13.2	0.47	5.64	5000	2	70.70	16	0.63	52.3
2B08038_24L	B	24	14~26.4	0.27	6.48	5000	2	70.70	16	0.63	52.3
2B08038_12M	B	12	7~13.2	0.75	9.00	6000	2.43	85.90	23	0.91	55.9
2B08038_24M	B	24	14~26.4	0.37	8.88	6000	2.43	85.90	23	0.91	55.9
2B08038_12H	B	12	7~13.2	1.14	13.68	7000	2.86	101.10	31.9	1.26	60.4
2B08038_24H	B	24	14~26.4	0.52	12.48	7000	2.86	101.10	31.9	1.26	60.4
2B08038_12U	B	12	7~13.2	1.76	21.12	8000	3.29	116.46	41.3	1.62	62.8
2B08038_24U	B	24	14~26.4	0.78	18.72	8000	3.29	116.46	41.3	1.62	62.8
2B08038_12S	B	12	7~13.2	2.56	30.72	9000	3.67	129.46	55.1	2.17	65.5
2B08038_24S	B	24	14~26.4	1.20	28.80	9000	3.67	129.46	55.1	2.17	65.5

(Mark " * " may be researched to be the new current balance or speed rank or the more fit of part number needed if there is the optimal one in future.)

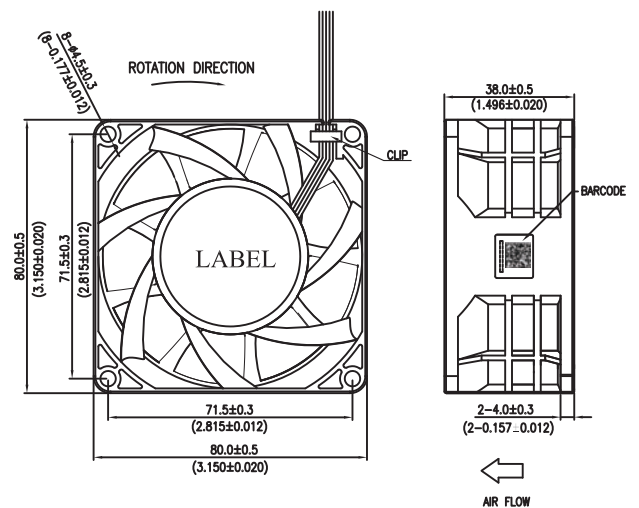
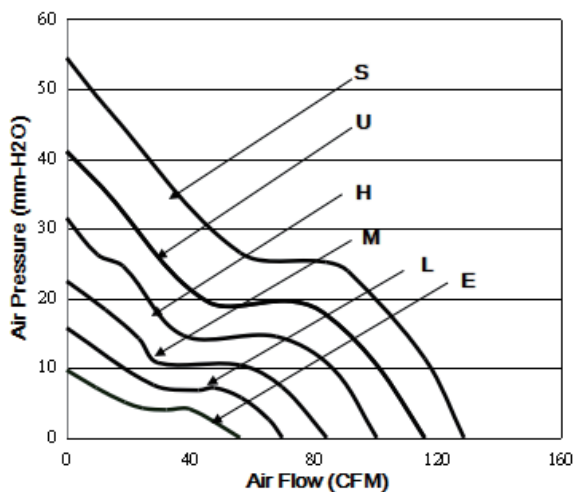
*Function type is optional.

*All reading are typical values at rated voltage

*Specifications are subject to change without notice

* Bearing system B: Two Ball Bearing R: Hydraulic Bearing S: Sleeve Bearing

*Weight : 190g



BRUSHLESS DC AXIAL FAN



2B SERIES 80*80*38 mm

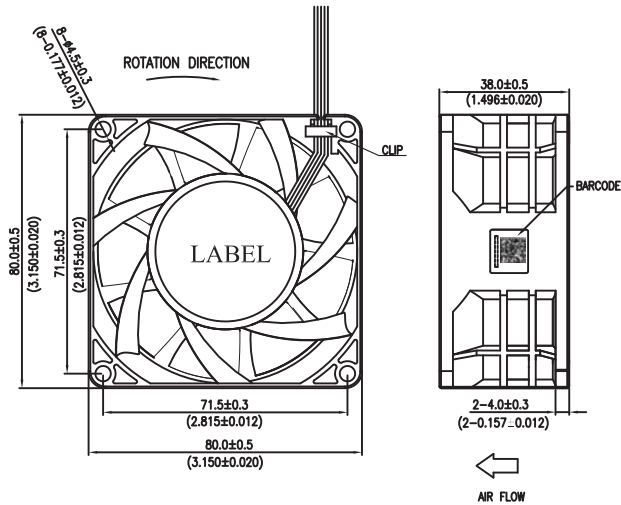
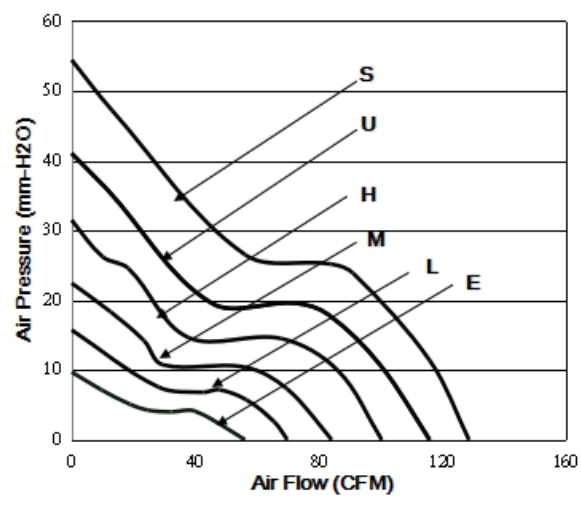
- Frame: Thermoplastic PBT +30%GF(UL94V-0).
- Impeller: Thermoplastic PBT +15%GF(UL94V-0).
- Storage temperature: -40°C to +75°C
- Operating temperature: -10°C to +70°C(B) / +60°C(R/S).

Major Characteristic Parameters

Model	Bearing System	Rated Voltage	Operating Voltage Range	Rated Current	Rated Power	Rated Speed	Maximum Air Flow		Maximum Static Pressure		Sound Level
Part NO.	B / R / S	V	V	A	Watt	RPM	m ³ /min	CFM	mm-H ₂ O	In-H ₂ O	dBA
2B08038_48E	B	48	28~56	0.09	4.32	4000	1.58	55.85	9.88	0.39	44.3
2B08038_48L	B	48	28~56	0.14	6.72	5000	2	70.70	16	0.63	52.3
2B08038_48M	B	48	28~56	0.22	10.56	6000	2.43	85.90	23	0.91	55.9
2B08038_48H	B	48	28~56	0.34	16.32	7000	2.86	101.10	31.9	1.26	60.4
2B08038_48U	B	48	28~56	0.48	23.04	8000	3.29	116.46	41.3	1.62	62.8
2B08038_48S	B	48	28~56	0.75	36	9000	3.67	129.46	55.1	2.17	65.5

(Mark " * " may be researched to be the new current balance or speed rank or the more fit of part number needed if there is the optimal one in future.)

*Function type is optional. *All reading are typical values at rated voltage *Specifications are subject to change without notice
 * Bearing system B: Two Ball Bearing R: Hydraulic Bearing S: Sleeve Bearing *Weight : 190g



BRUSHLESS DC AXIAL FAN



DYTB SERIES 80*80*38 mm

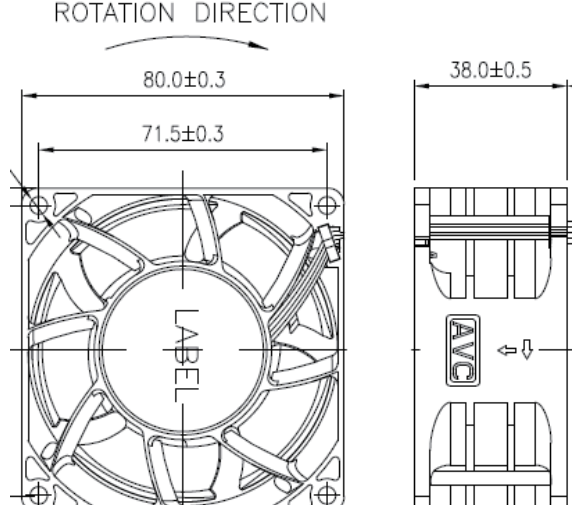
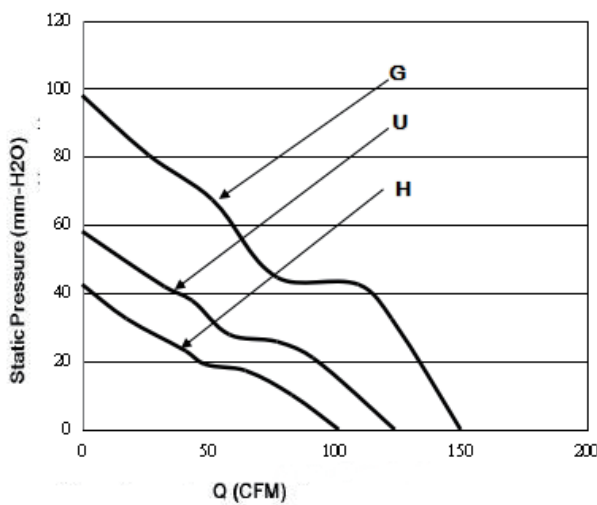
- Frame: Thermoplastic PBT +30%GF(UL94V-0).
- Impeller: Thermoplastic PBT +15%GF(UL94V-0).
- Storage temperature: -40°C to +75°C
- Operating temperature: -10°C to +70°C(B) / +60°C(R/S).

Major Characteristic Parameters

Model	Bearing System	Rated Voltage	Operating Voltage Range	Rated Current	Rated Power	Rated Speed	Maximum Air Flow		Maximum Static Pressure		Sound Level
Part NO.	B / R / S	V	V	A	Watt	RPM	m ³ /min	CFM	mm-H ₂ O	In-H ₂ O	dB(A)
DYTB0838_8H	B	48	36~72	0.425	20.4	9500	2.78	98.19	42.5	1.67	60
DYTB0838_8U	B	48	36~72	0.525	25.2	11000	3.416	120.65	58.8	2.32	62
DYTB0838_8G	B	48	36~72	0.94	45.12	14200	4.255	150.25	98.5	3.88	72.4

(Mark " * " may be researched to be the new current balance or speed rank or the more fit of part number needed if there is the optimal one in future.)

*Function type is optional. *All reading are typical values at rated voltage *Specifications are subject to change without notice
 * Bearing system B: Two Ball Bearing R: Hydraulic Bearing S: Sleeve Bearing *Weight : 215g



BRUSHLESS DC AXIAL FAN



DA SERIES 92*92*25 mm

- Frame: Thermoplastic PBT +30%GF(94V-0).
- Impeller: Thermoplastic PBT +15%GF(94V-0).
- Storage temperature: -40°C to +75°C
- Operating temperature: -10°C to +70°C(B) / +60°C(R/S).

Major Characteristic Parameters

Model	Bearing System	Rated Voltage	Operating Voltage Range	Rated Current	Rated Power	Rated Speed	Maximum Air Flow		Maximum Static Pressure		Sound Level
Part NO.	B / R / S	V	V	A	Watt	RPM	m ³ /min	CFM	mm-H ₂ O	In-H ₂ O	dB(A)
DA09225_12E	B R S	12	7.0~13.2	0.09	1.08	2100	1.05	37.00	2.39	0.09	25.0
DA09225_12L	B R S	12	7.0~13.2	0.11	1.32	2450	1.27	44.79	2.92	0.11	30.0
DA09225_12M	B R S	12	7.0~13.2	0.14	1.68	2850	1.48	52.11	3.95	0.16	34.0
DA09225_48M	B R S	48	28.0~56.0	0.08	3.84	2850	1.48	52.11	3.95	0.16	34.0
DA09225_12H	B R S	12	7.0~13.2	0.20	2.40	3200	1.65	58.29	4.67	0.18	38.0
DA09225_24H	B R S	24	14.0~26.4	0.15	3.60	3200	1.65	58.29	4.67	0.18	38.0
DA09225_48H	B R S	48	28.0~56.0	0.12	5.76	3200	1.65	58.29	4.67	0.18	38.0
DA09225_12U	B R S	12	7.0~13.2	0.30	3.60	3800	1.96	69.22	6.59	0.26	45.0
DA09225_24U	B R S	24	14.0~26.4	0.20	4.80	3800	1.96	69.22	6.59	0.26	45.0
DA09225_12S	B R S	12	7.0~13.2	0.41	4.92	4200	2.17	76.51	8.05	0.32	47.2
(Mark " * " may be researched to be the new current balance or speed rank or the more fit of part number needed if there is the optimal one in future.)											

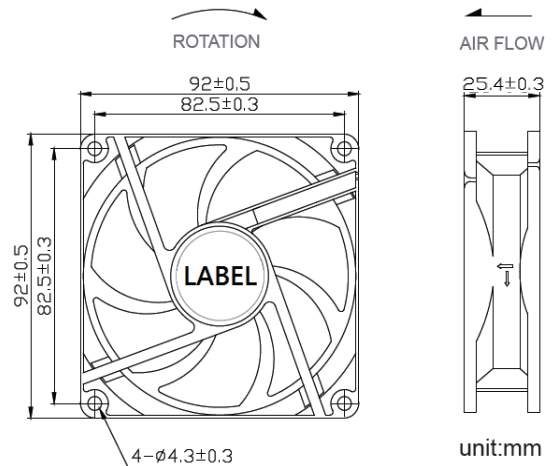
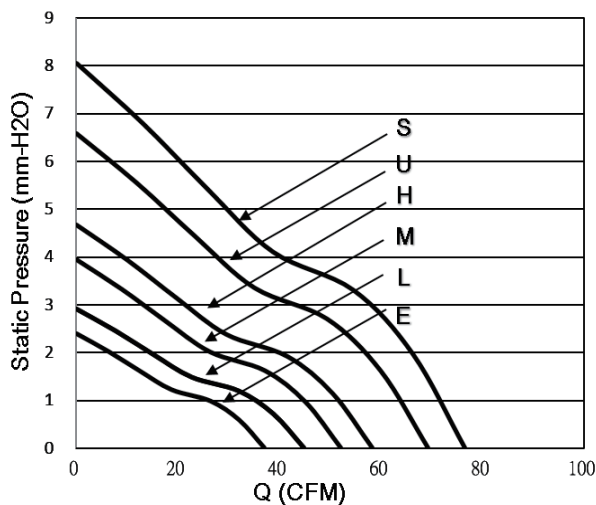
*Function type is optional.

*All reading are typical values at rated voltage

*Specifications are subject to change without notice

* Bearing system B: Two Ball Bearing R: Hydraulic Bearing S: Sleeve Bearing

*Weight : 87g



BRUSHLESS DC AXIAL FAN



DS SERIES 92*92*25 mm

- Frame: Thermoplastic PBT +30%GF(94V-0).
- Impeller: Thermoplastic PBT +15%GF(94V-0).
- Storage temperature: -40°C to +75°C
- Operating temperature: -10°C to +70°C(B) / +60°C(R/S).

Major Characteristic Parameters

Model	Bearing System	Rated Voltage	Operating Voltage Range	Rated Current	Rated Power	Rated Speed	Maximum Air Flow		Maximum Static Pressure		Sound Level
Part NO.	B / R / S	V	V	A	Watt	RPM	m ³ /min	CFM	mm-H ₂ O	In-H ₂ O	dB(A)
DS09225_12E	B	12	7.0~13.2	0.09	1.08	2100	1.11	39.20	2.39	0.09	25.0
DS09225_12L	B	12	7.0~13.2	0.11	1.32	2450	1.27	44.80	3.15	0.12	30.0
DS09225_12M	B	12	7.0~13.2	0.14	1.68	2850	1.48	52.10	4.30	0.17	34.0
DS09225_12H	B	12	7.0~13.2	0.20	2.40	3200	1.65	58.30	5.70	0.22	38.0
DS09225_24H	B	24	14.0~26.4	0.15	3.60	3200	1.65	58.30	5.70	0.22	38.0
DS09225_48H	B	48	28.0~56.0	0.12	5.76	3200	1.65	58.30	5.70	0.22	38.0
DS09225_12U	B	12	7.0~13.2	0.30	3.60	3800	1.96	69.20	7.00	0.28	45.0
DS09225_24U	B	24	14.0~26.4	0.20	4.80	3800	1.96	69.20	7.00	0.28	45.0
DS09225_12S	B	12	7.0~13.2	0.41	4.92	4500	2.29	81.00	9.94	0.39	49.0
(Mark " * " may be researched to be the new current balance or speed rank or the more fit of part number needed if there is the optimal one in future.)											

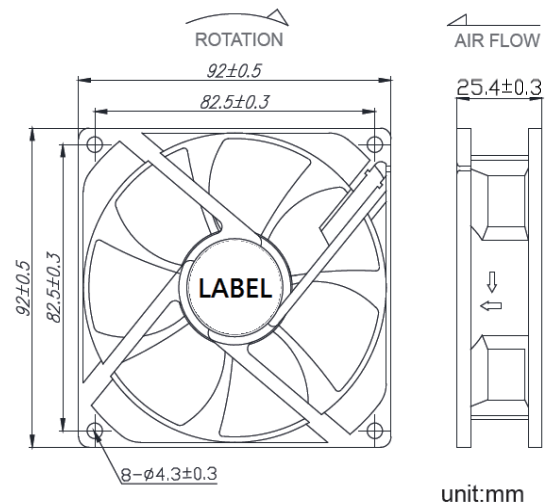
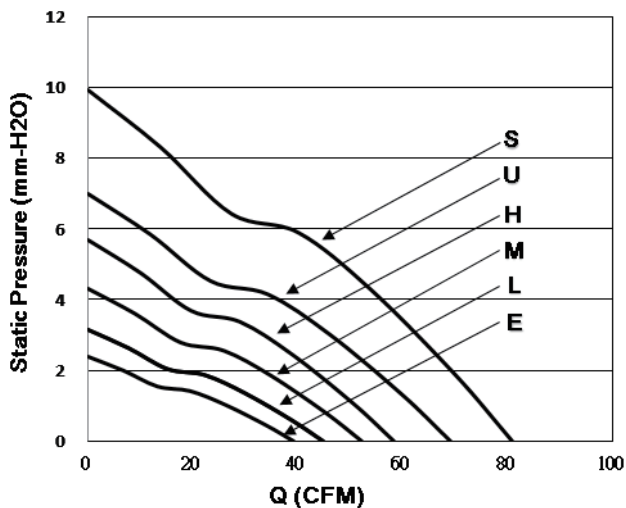
*Function type is optional.

*All reading are typical values at rated voltage

*Specifications are subject to change without notice

* Bearing system B: Two Ball Bearing R: Hydraulic Bearing S: Sleeve Bearing

*Weight : 90g



BRUSHLESS DC AXIAL FAN



2B

SERIES 92*92*38 mm

- Frame: Thermoplastic PBT +30%GF(94V-0).
- Impeller: Thermoplastic PBT +15%GF(94V-0).
- Storage temperature: -40°C to +75°C
- Operating temperature: -10°C to +70°C(B) / +60°C(R/S).

Major Characteristic Parameters

Model	Bearing System	Rated Voltage	Operating Voltage Range	Rated Current	Rated Power	Rated Speed	Maximum Air Flow		Maximum Static Pressure		Sound Level
Part NO.	B / R / S	V	V	A	Watt	RPM	m ³ /min	CFM	mm-H ₂ O	In-H ₂ O	dB(A)
2B09238_12L	B	12	7.0~13.2	0.50	6.00	4300	2.75	97.12	17.83	0.70	49.7
2B09238_24L	B	24	14.0~26.4	0.35	8.40	4300	2.75	97.12	17.83	0.70	49.7
*2B09238_48L	B	48	28.0~56.0	0.24	11.52	4300	2.75	97.12	17.83	0.70	49.7
2B09238_12M	B	12	7.0~13.2	0.90	10.80	5000	3.09	109.23	21.75	0.86	55.0
2B09238_24M	B	24	14.0~26.4	0.45	10.80	5000	3.09	109.23	21.75	0.86	55.0
2B09238_48M	B	48	28.0~56.0	0.28	13.44	5000	3.09	109.23	21.75	0.86	55.0
2B09238_12H	B	12	7.0~13.2	1.20	14.40	6000	3.50	123.43	28.53	1.12	60.5
*2B09238_24H	B	24	14.0~26.4	0.76	18.24	6000	3.50	123.43	28.53	1.12	60.5
2B09238_48H	B	48	28.0~56.0	0.30	14.40	6000	3.50	123.43	28.53	1.12	60.5
2B09238_12U	B	12	7.0~13.2	2.50	30.00	7000	4.12	145.57	37.06	1.46	64.1
2B09238_24U	B	24	14.0~26.4	1.10	26.40	7000	4.12	145.57	37.06	1.46	64.1
2B09238_48U	B	48	28.0~56.0	0.50	24.00	7000	4.12	145.57	37.06	1.46	64.1
*2B09238_24S	B	24	14.0~26.4	1.70	40.80	8000	4.71	166.37	48.40	1.91	68.4

(Mark " * " may be researched to be the new current balance or speed rank or the more fit of part number needed if there is the optimal one in future.)

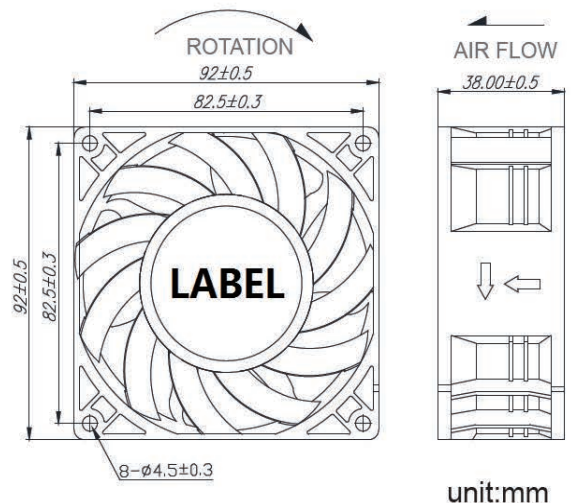
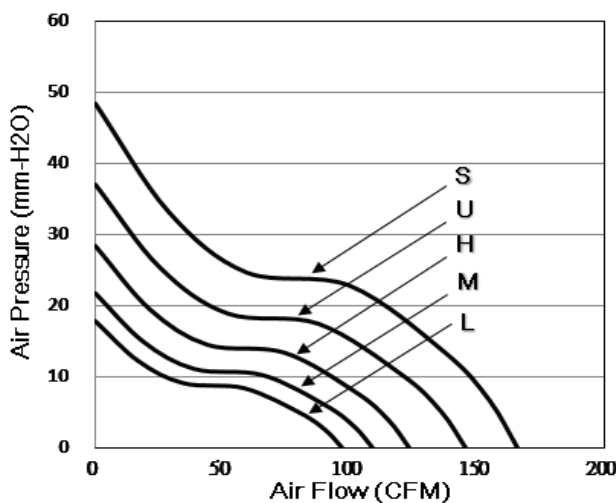
*Function type is optional.

*All reading are typical values at rated voltage

*Specifications are subject to change without notice

* Bearing system B: Two Ball Bearing R: Hydraulic Bearing S: Sleeve Bearing

*Weight : 216g



BRUSHLESS DC AXIAL FAN



DA SERIES 120*120*25 mm

- Frame: Thermoplastic PBT +30%GF(94V-0).
- Impeller: Thermoplastic PBT +15%GF(94V-0).
- Storage temperature: -40°C to +75°C
- Operating temperature: -10°C to +70°C(B) / +60°C(R/S).

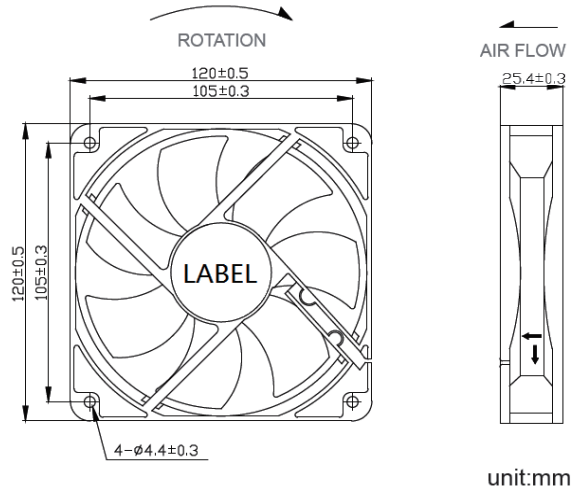
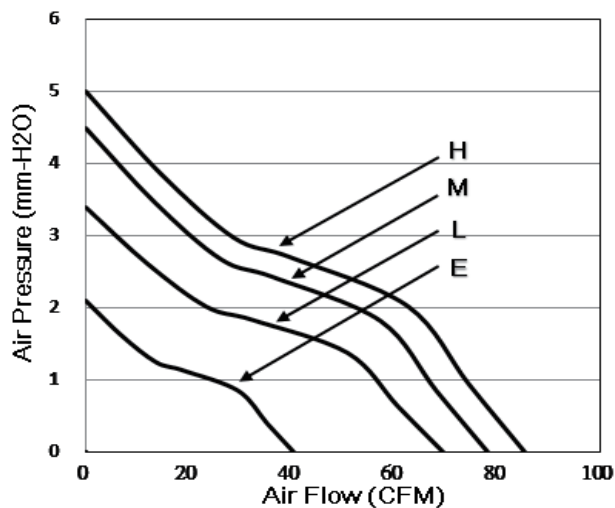
Major Characteristic Parameters

Model	Bearing System	Rated Voltage	Operating Voltage Range	Rated Current	Rated Power	Rated Speed	Maximum Air Flow		Maximum Static Pressure		Sound Level
Part NO.	B / R / S	V	V	A	Watt	RPM	m ³ /min	CFM	mm-H ₂ O	In-H ₂ O	dB(A)
DA12025_12E	B R S	12	7.0~13.2	0.08	0.96	1200	1.15	40.60	2.10	0.08	19.0
DA12025_24E	B R S	24	14.0~26.4	0.05	1.20	1200	1.15	40.60	2.10	0.08	19.0
DA12025_12L	B R S	12	7.0~13.2	0.18	2.16	1900	1.97	69.60	3.40	0.14	29.0
DA12025_24L	B R S	24	14.0~26.4	0.10	2.40	1900	1.97	69.60	3.40	0.14	29.0
DA12025_12M	B R S	12	7.0~13.2	0.20	2.40	2200	2.21	78.20	4.50	0.18	31.0
DA12025_24M	B R S	24	14.0~26.4	0.18	4.32	2200	2.21	78.20	4.50	0.18	31.0
DA12025_12H	B R S	12	7.0~13.2	0.28	3.36	2500	2.42	85.50	5.00	0.20	36.0
DA12025_24H	B R S	24	14.0~26.4	0.20	4.80	2500	2.42	85.50	5.00	0.20	36.0

(Mark " * " may be researched to be the new current balance or speed rank or the more fit of part number needed if there is the optimal one in future.)

*Function type is optional. *All reading are typical values at rated voltage
 * Bearing system B: Two Ball Bearing R: Hydraulic Bearing S: Sleeve Bearing

*Specifications are subject to change without notice
 *Weight : 152g



BRUSHLESS DC AXIAL FAN



DS

SERIES **120*120*25 mm**

- Frame: Thermoplastic PBT +30%GF(94V-0).
- Impeller: Thermoplastic PBT +15%GF(94V-0).
- Storage temperature: -40°C to +75°C
- Operating temperature: -10°C to +70°C(B) / +60°C(R/S).

Major Characteristic Parameters

Model	Bearing System	Rated Voltage	Operating Voltage Range	Rated Current	Rated Power	Rated Speed	Maximum Air Flow		Maximum Static Pressure		Sound Level
Part NO.	B / R / S	V	V	A	Watt	RPM	m ³ /min	CFM	mm-H ₂ O	In-H ₂ O	dB(A)
DS12025_12E	B	12	7.0~13.2	0.13	1.56	2100	1.92	67.70	4.30	0.17	34.8
DS12025_24E	B	24	14.0~26.4	0.10	2.40	2100	1.92	67.70	4.30	0.17	34.8
DS12025_12L	B	12	7.0~13.2	0.24	2.88	2500	2.19	77.20	5.80	0.23	38.5
DS12025_24L	B	24	14.0~26.4	0.12	2.88	2500	2.19	77.20	5.80	0.23	38.5
DS12025_12M	B	12	7.0~13.2	0.28	3.36	2800	2.46	86.70	7.10	0.28	41.7
DS12025_24M	B	24	14.0~26.4	0.13	3.12	2800	2.46	86.70	7.10	0.28	41.7
DS12025_12H	B	12	7.0~13.2	0.44	5.28	3400	2.94	103.90	10.10	0.40	46.9
DS12025_24H	B	24	14.0~26.4	0.21	5.04	3400	2.94	103.90	10.10	0.40	46.9
DS12025_12U	B	12	7.0~13.2	0.55	6.60	3700	3.25	114.80	11.80	0.46	49.8
DS12025_24U	B	24	14.0~26.4	0.26	6.24	3700	3.25	114.80	11.80	0.46	49.8
*DS12025_24S	B	24	14.0~26.4	0.35	8.40	4000	3.43	121.10	13.00	0.51	51.6
<small>(Mark " * " may be researched to be the new current balance or speed rank or the more fit of part number needed if there is the optimal one in future.)</small>											

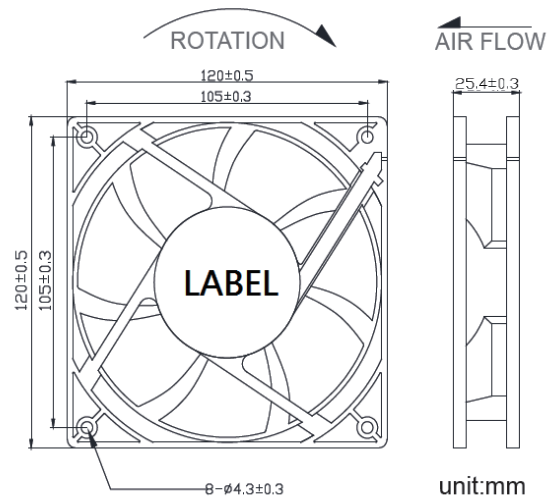
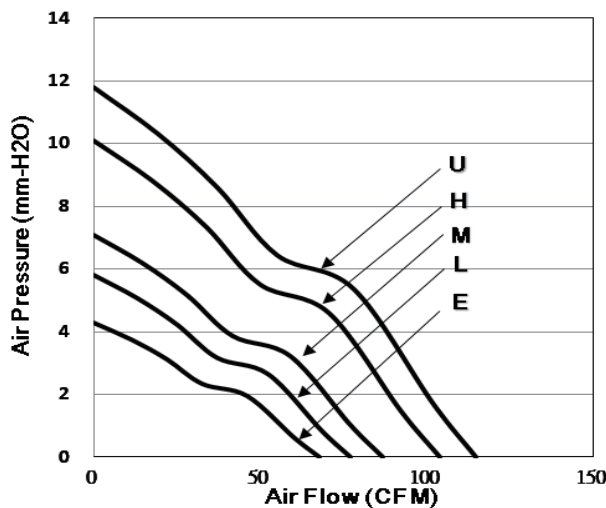
*Function type is optional.

*All reading are typical values at rated voltage

*Specifications are subject to change without notice

* Bearing system B: Two Ball Bearing R: Hydraulic Bearing S: Sleeve Bearing

*Weight : 185g



BRUSHLESS DC AXIAL FAN



DATA SERIES 120*120*32 mm

- Frame: Thermoplastic PBT +30%GF(UL94V-0).
- Impeller: Thermoplastic PBT +15%GF(UL94V-0).
- Storage temperature: -40°C to +75°C
- Operating temperature: -10°C to +70°C(B) / +60°C(R/S).

Major Characteristic Parameters

Model	Bearing System	Rated Voltage	Operating Voltage Range	Rated Current	Rated Power	Rated Speed	Maximum Air Flow		Maximum Static Pressure		Sound Level
Part NO.	B / R / S	V	V	A	Watt	RPM	m ³ /min	CFM	mm-H ₂ O	In-H ₂ O	dB(A)
DATA1232_4E	B	24	14-30	0.09	2.16	1900	2.05	72.30	3.10	0.12	33.1
DATA1232_8E	B	48	28-56	0.06	2.88	1900	2.05	72.30	3.10	0.12	33.1
DATA1232_4L	B	24	14-30	0.13	3.12	2500	2.70	95.20	5.30	0.21	41.4
DATA1232_8L	B	48	28-56	0.08	3.84	2500	2.70	95.20	5.30	0.21	41.4
DATA1232_4M	B	24	14-30	0.22	5.28	3150	3.40	119.90	8.40	0.33	48.1
DATA1232_8M	B	48	28-56	0.13	6.24	3150	3.40	119.90	8.40	0.33	48.1
DATA1232_4H	B	24	14-30	0.37	8.88	3800	4.10	144.70	12.30	0.48	53.3
DATA1232_8H	B	48	28-56	0.19	9.12	3800	4.10	144.70	12.30	0.48	53.3
DATA1232_4U	B	24	14-30	0.40	9.60	4300	4.64	163.70	15.70	0.62	56.8
DATA1232_8U	B	48	28-56	0.28	13.44	4300	4.64	163.70	15.70	0.62	56.8

(Mark " * " may be researched to be the new current balance or speed rank or the more fit of part number needed if there is the optimal one in future.)

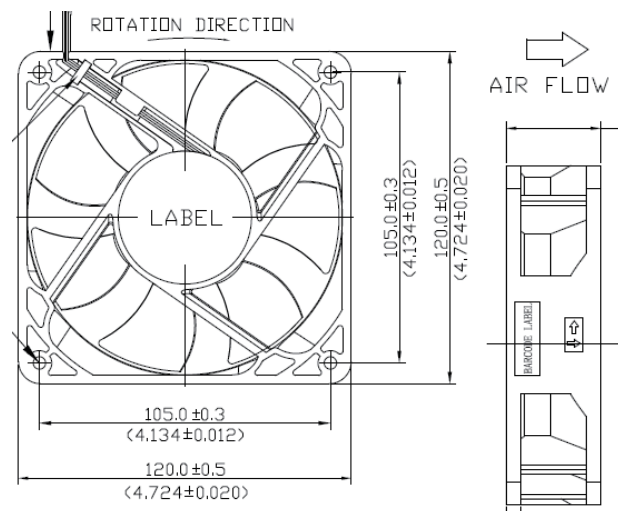
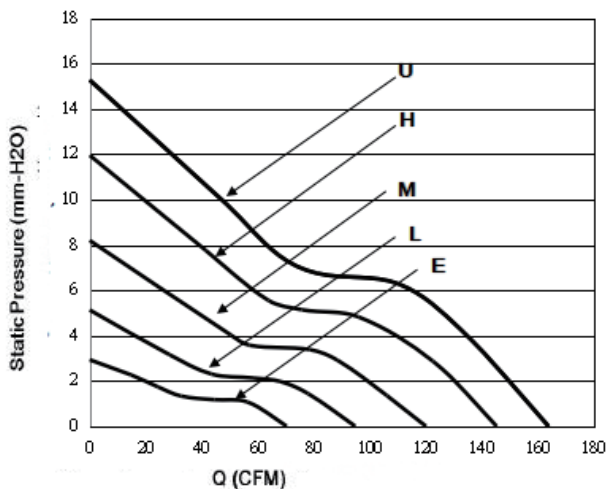
*Function type is optional.

*All reading are typical values at rated voltage

*Specifications are subject to change without notice

* Bearing system B: Two Ball Bearing R: Hydraulic Bearing S: Sleeve Bearing

*Weight : 240g



BRUSHLESS DC AXIAL FAN



2B

SERIES

120*120*38 mm

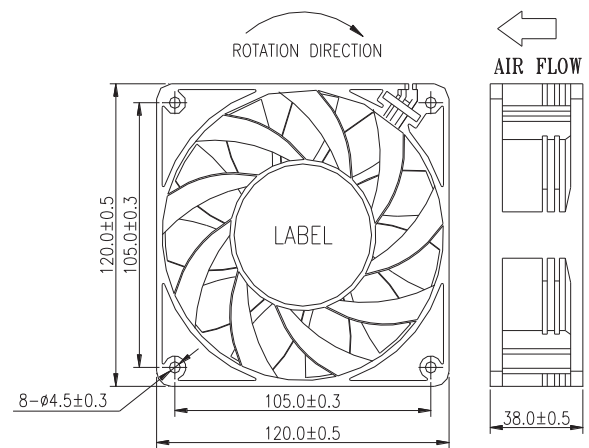
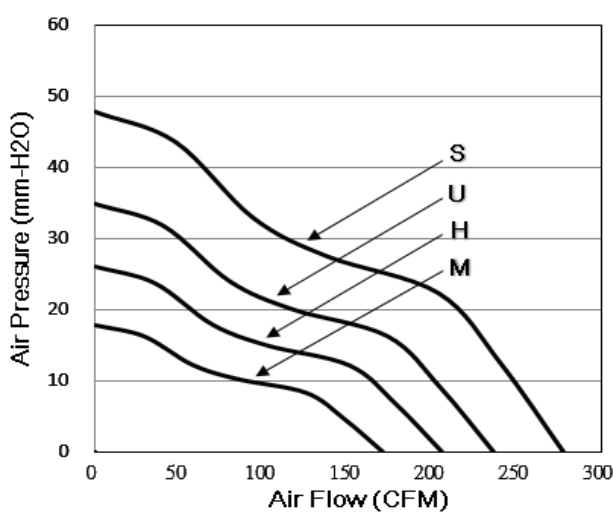
- Frame: Thermoplastic PBT +30%GF(94V-0).
- Impeller: Thermoplastic PBT +15%GF(94V-0).
- Storage temperature: -40°C to +75°C
- Operating temperature: -10°C to +70°C(B) / +60°C(R/S).

Major Characteristic Parameters

Model	Bearing System	Rated Voltage	Operating Voltage Range	Rated Current	Rated Power	Rated Speed	Maximum Air Flow		Maximum Static Pressure		Sound Level
Part NO.	B / R / S	V	V	A	Watt	RPM	m ³ /min	CFM	mm-H ₂ O	In-H ₂ O	dB(A)
2B12038_12M	B	12	7.0~13.2	2.00	24.00	4000	4.85	171.40	17.80	0.70	54.1
*2B12038_24M	B	24	14.0~26.4	1.30	31.20	4000	4.85	171.40	17.80	0.70	54.1
*2B12038_48M	B	48	28.0~56.0	0.60	28.80	4000	4.85	171.40	17.80	0.70	54.1
2B12038_12H	B	12	7.0~13.2	2.50	30.00	4800	5.84	206.30	26.20	1.03	60.9
*2B12038_24H	B	24	14.0~26.4	1.80	43.20	4800	5.84	206.30	26.20	1.03	60.9
*2B12038_48H	B	48	28.0~56.0	0.90	43.20	4800	5.84	206.30	26.20	1.03	60.9
2B12038_12U	B	12	7.0~13.2	3.88	46.56	5500	6.71	237.00	34.91	1.37	68.5
*2B12038_24U	B	24	14.0~26.4	2.50	60.00	5500	6.71	237.00	34.91	1.37	68.5
2B12038_48U	B	48	28.0~56.0	1.20	57.60	5500	6.71	237.00	34.91	1.37	68.5

(Mark " * " may be researched to be the new current balance or speed rank or the more fit of part number needed if there is the optimal one in future.)

*Function type is optional. *All reading are typical values at rated voltage *Specifications are subject to change without notice
 * Bearing system B: Two Ball Bearing R: Hydraulic Bearing S: Sleeve Bearing *Weight : 450g



BRUSHLESS DC AXIAL FAN



DA SERIES 120*120*38 mm

- Frame: Thermoplastic PBT +30%GF(94V-0).
- Impeller: Thermoplastic PBT +15%GF(94V-0).
- Storage temperature: -40°C to +75°C
- Operating temperature: -10°C to +70°C(B) / +60°C(R/S).

Major Characteristic Parameters

Model	Bearing System	Rated Voltage	Operating Voltage Range	Rated Current	Rated Power	Rated Speed	Maximum Air Flow		Maximum Static Pressure		Sound Level
Part NO.	B / R / S	V	V	A	Watt	RPM	m ³ /min	CFM	mm-H ₂ O	In-H ₂ O	dBA
DA12038_24E	B S	24	14.0~26.4	0.18	4.32	2300	2.87	101.4	8.1	0.32	38.0
DA12038_48E	B S	48	28.0~56.0	0.10	4.80	2300	2.87	101.4	8.1	0.32	38.0
DA12038_12L	B S	12	7.0~13.2	0.40	4.80	2600	3.25	114.7	10.4	0.41	41.0
DA12038_24L	B S	24	14.0~26.4	0.20	4.80	2600	3.25	114.7	10.4	0.41	41.0
DA12038_48L	B S	48	28.0~56.0	0.14	6.72	2600	3.25	114.7	10.4	0.41	41.0
DA12038_12M	B	12	7.0~13.2	0.50	6.00	2900	3.49	123.2	11.3	0.44	44.0
DA12038_24M	B	24	14.0~26.4	0.35	8.40	2900	3.49	123.2	11.3	0.44	44.0
DA12038_48M	B	48	28.0~56.0	0.20	9.60	2900	3.49	123.2	11.3	0.44	44.0
DA12038_12H	B	12	7.0~13.2	0.80	9.60	3200	3.85	135.9	13.8	0.54	48.0
DA12038_24H	B	24	14.0~26.4	0.45	10.80	3200	3.85	135.9	13.8	0.54	48.0
DA12038_48H	B	48	28.0~56.0	0.23	11.04	3200	3.85	135.9	13.8	0.54	48.0
DA12038_12U	B	12	7.0~13.2	1.55	18.60	4200	5.05	178.4	23.8	0.94	54.0
DA12038_24U	B	24	14.0~26.4	0.80	19.20	4200	5.05	178.4	23.8	0.94	54.0

(Mark " * " may be researched to be the new current balance or speed rank or the more fit of part number needed if there is the optimal one in future.)

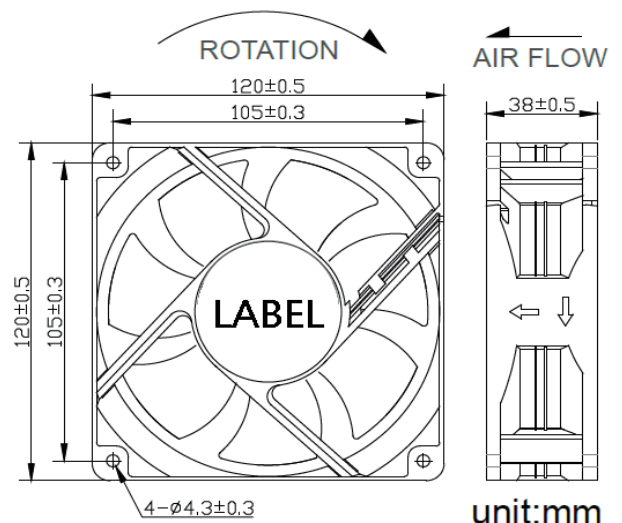
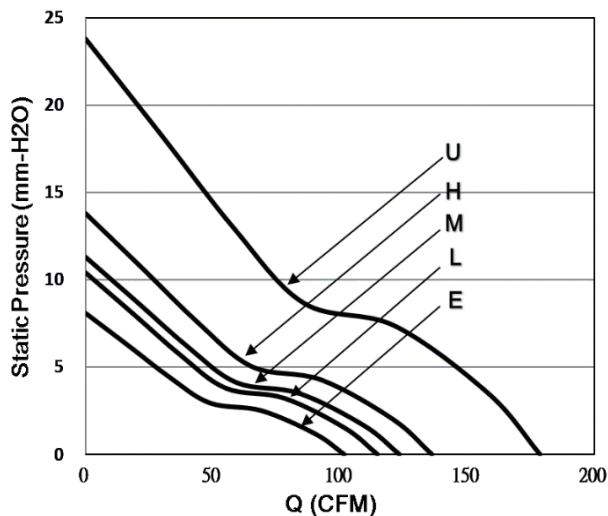
*Function type is optional.

*All reading are typical values at rated voltage

*Specifications are subject to change without notice

* Bearing system B: Two Ball Bearing R: Hydraulic Bearing S: Sleeve Bearing

*Weight : 260g



BRUSHLESS DC AXIAL FAN



DK SERIES 120*120*38 mm

- Frame: Thermoplastic PBT +30%GF(94V-0).
- Impeller: Thermoplastic PBT +15%GF(94V-0).
- Storage temperature: -40°C to +75°C
- Operating temperature: -10°C to +70°C(B) / +60°C(R/S).

Major Characteristic Parameters

Model	Bearing System	Rated Voltage	Operating Voltage Range	Rated Current	Rated Power	Rated Speed	Maximum Air Flow		Maximum Static Pressure		Sound Level
Part NO.	B / R / S	V	V	A	Watt	RPM	m ³ /min	CFM	mm-H ₂ O	In-H ₂ O	dBA
DK12038_12E	B	12	7.0~13.2	1.50	18.00	4100	5.39	190.50	17.64	0.69	55.5
DK12038_24E	B	24	14.0~26.4	0.70	16.80	4100	5.39	190.50	17.64	0.69	55.5
DK12038_48E	B	48	28.0~56.0	0.41	19.68	4100	5.39	190.50	17.64	0.69	55.5
DK12038_12L	B	12	7.0~13.2	1.75	21.00	4600	6.02	212.60	21.43	0.84	58.5
DK12038_24L	B	24	14.0~26.4	0.85	20.40	4600	6.02	212.60	21.43	0.84	58.5
*DK12038_48L	B	48	28.0~56.0	0.47	22.56	4600	6.02	212.60	21.43	0.84	58.5
DK12038_12M	B	12	7.0~13.2	2.00	24.00	5200	6.82	241.00	27.48	1.08	62.0
DK12038_24M	B	24	14.0~26.4	1.45	34.80	5200	6.82	241.00	27.48	1.08	62.0
DK12038_48M	B	48	28.0~56.0	0.55	26.40	5200	6.82	241.00	27.48	1.08	62.0
(Mark " * " may be researched to be the new current balance or speed rank or the more fit of part number needed if there is the optimal one in future.)											

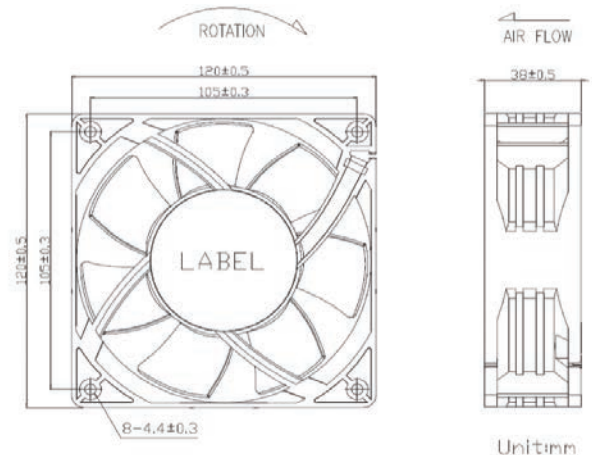
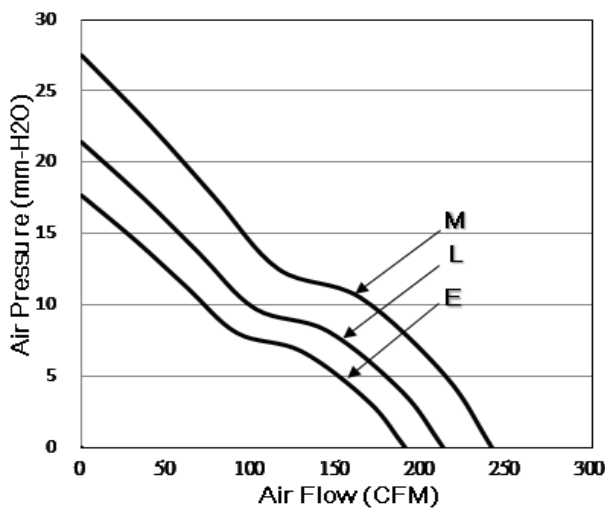
*Function type is optional.

*All reading are typical values at rated voltage

*Specifications are subject to change without notice

* Bearing system B: Two Ball Bearing R: Hydraulic Bearing S: Sleeve Bearing

*Weight : 330g



BRUSHLESS DC AXIAL FAN



DYPA SERIES 120*120*38 mm

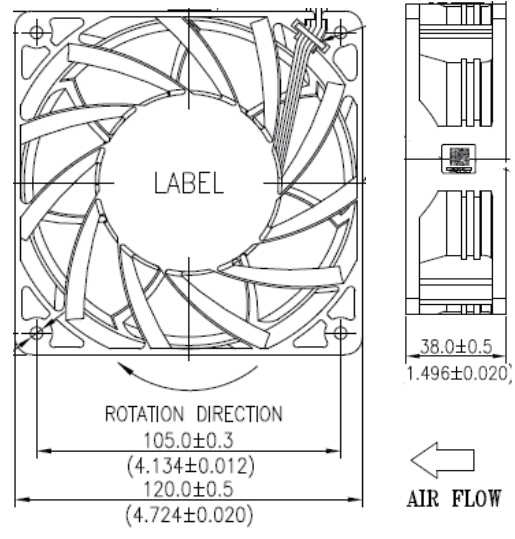
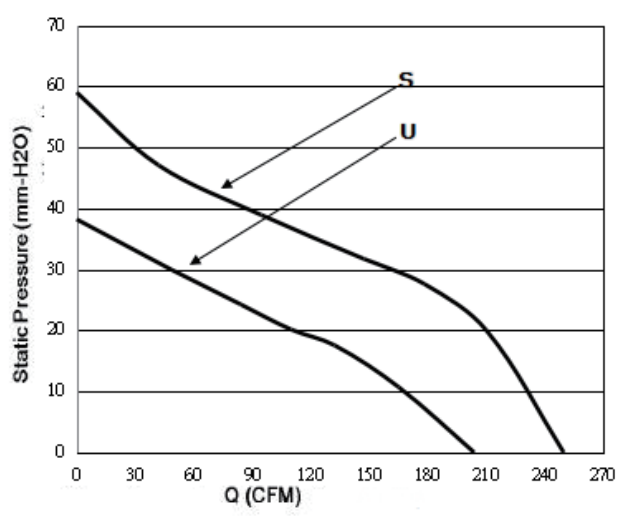
- Frame: Thermoplastic PBT +30%GF(UL94V-0).
- Impeller: Thermoplastic PBT +15%GF(UL94V-0).
- Storage temperature: -40°C to +75°C
- Operating temperature: -10°C to +70°C(B) / +60°C(R/S).

Major Characteristic Parameters

Model	Bearing System	Rated Voltage	Operating Voltage Range	Rated Current	Rated Power	Rated Speed	Maximum Air Flow		Maximum Static Pressure		Sound Level
Part NO.	B / R / S	V	V	A	Watt	RPM	m ³ /min	CFM	mm-H ₂ O	In-H ₂ O	dBA
DYPA1238_8U	B	48	36-72	0.52	24.96	6100	5.76	203.65	36.89	1.45	64.0
DYPA1238_8S	B	48	36-72	1.00	48	7500	7.09	250.52	59.00	2.32	68.5

(Mark " * " may be researched to be the new current balance or speed rank or the more fit of part number needed if there is the optimal one in future.)

*Function type is optional. *All reading are typical values at rated voltage *Specifications are subject to change without notice
 * Bearing system B: Two Ball Bearing R: Hydraulic Bearing S: Sleeve Bearing *Weight : 410g



BRUSHLESS DC AXIAL FAN



DYTH SERIES 120*120*38 mm

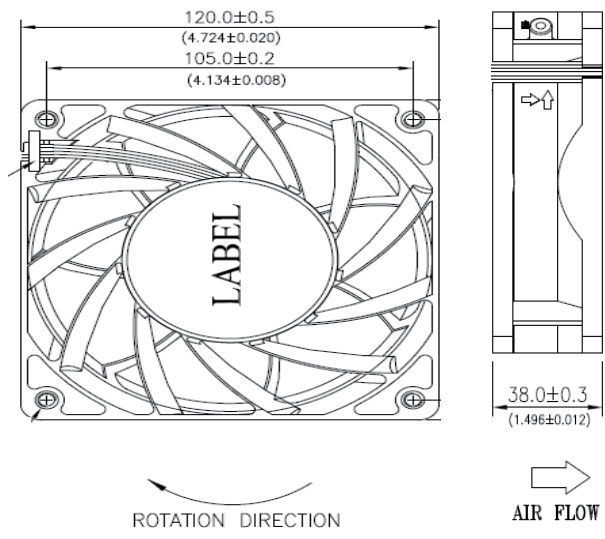
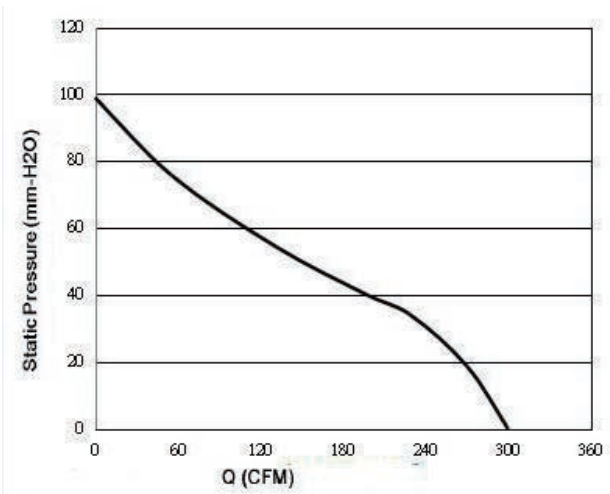
- Frame:Diecast Aluminum
- Impeller:Thermoplastic PBT +15%GF(UL94V-0).
- Storage temperature:-40°C to +75°C
- Operating temperature:-10°C to +70°C(B) / +60°C(R/S).

Major Characteristic Parameters

Model	Bearing System	Rated Voltage	Operating Voltage Range	Rated Current	Rated Power	Rated Speed	Maximum Air Flow		Maximum Static Pressure		Sound Level
Part NO.	B / R / S	V	V	A	Watt	RPM	m ³ /min	CFM	mm-H ₂ O	In-H ₂ O	dBA
DYTH1238_8F	B	48	36-75	1.50	72	9000	8.50	300.12	99.78	3.93	73.0

(Mark " * " may be researched to be the new current balance or speed rank or the more fit of part number needed if there is the optimal one in future.)

*Function type is optional. *All reading are typical values at rated voltage *Specifications are subject to change without notice
 * Bearing system B: Two Ball Bearing R: Hydraulic Bearing S: Sleeve Bearing *Weight : 500g



BRUSHLESS DC AXIAL FAN



DB SERIES 127*127*38 mm

- Frame: Thermoplastic PBT +30%GF(UL94V-0).
- Impeller: Thermoplastic PBT +15%GF(UL94V-0).
- Storage temperature: -40°C to +75°C
- Operating temperature: -10°C to +70°C(B) / +60°C(R/S).

Major Characteristic Parameters

Model	Bearing System	Rated Voltage	Operating Voltage Range	Rated Current	Rated Power	Rated Speed	Maximum Air Flow		Maximum Static Pressure		Sound Level
Part NO.	B / R / S	V	V	A	Watt	RPM	m ³ /min	CFM	mm-H ₂ O	In-H ₂ O	dB(A)
DB12738_24M	B	24	14~30	0.35	8.40	3500	4.15	146.84	14.74	0.58	55.3
DB12738_48M	B	48	28~56	0.24	11.52	3500	4.15	146.84	14.74	0.58	55.3
DB12738_24H	B	24	14~30	0.40	9.60	3900	4.65	164.31	18.70	0.74	57.7
DB12738_48H	B	48	28~56	0.31	14.88	3900	4.65	164.31	18.70	0.74	57.7
DB12738_24U	B	24	14~30	0.55	13.20	4300	5.40	190.93	23.70	0.93	60.1
DB12738_48U	B	48	28~56	0.38	18.24	4300	5.40	190.93	23.70	0.93	60.1
DB12738_24S	B	24	14~30	0.68	16.32	4600	5.67	200.54	26.64	1.05	61.7
DB12738_48S	B	48	28~56	0.46	22.08	4600	5.67	200.54	26.64	1.05	61.7
DB12738_24F	B	24	14~30	0.84	20.16	5000	6.10	215.53	32.10	1.26	64.1
DB12738_48F	B	48	28~56	0.57	27.36	5000	6.10	215.53	32.10	1.26	64.1
(Mark " * " may be researched to be the new current balance or speed rank or the more fit of part number needed if there is the optimal one in future.)											

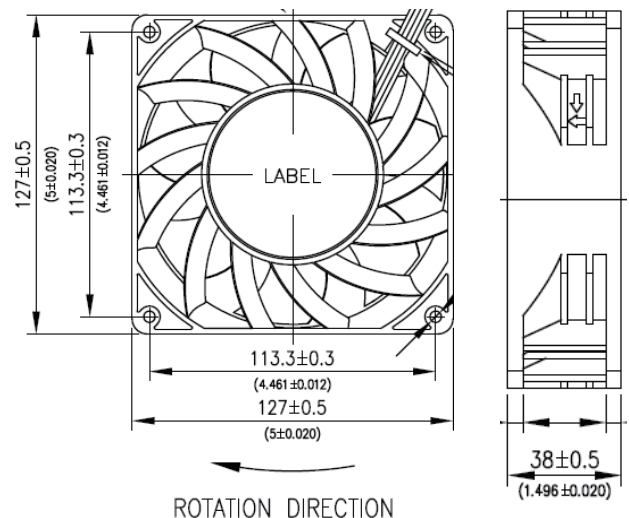
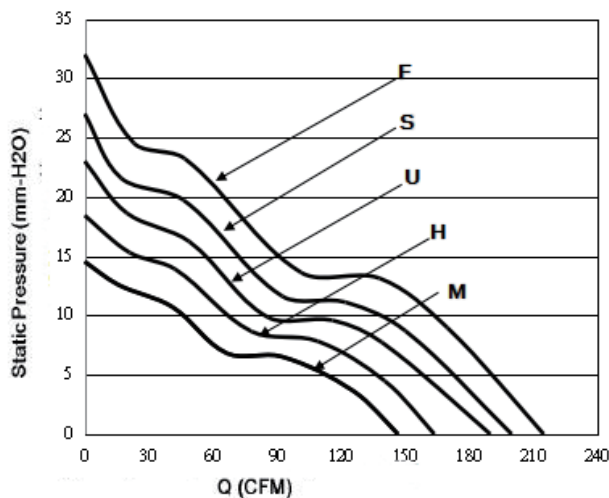
*Function type is optional.

*All reading are typical values at rated voltage

*Specifications are subject to change without notice

* Bearing system B: Two Ball Bearing R: Hydraulic Bearing S: Sleeve Bearing

*Weight : 492g



BRUSHLESS DC AXIAL FAN



DA SERIES 172*150*51 mm

- Frame: Diecast Aluminum.
- Impeller: Thermoplastic PBT +15%GF(94V-0).
- Storage temperature: -40°C to +75°C
- Operating temperature: -10°C to +70°C(B) / +60°C(R/S).

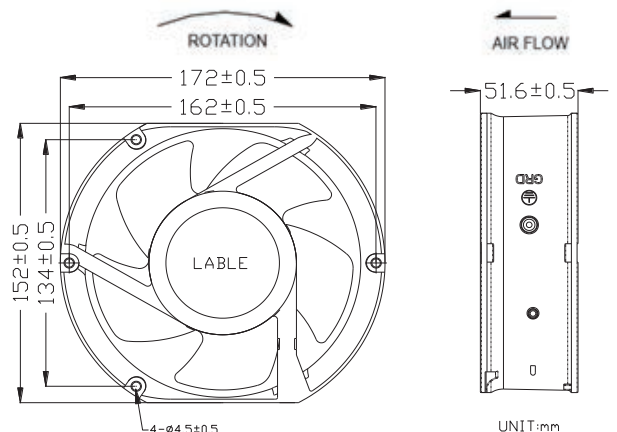
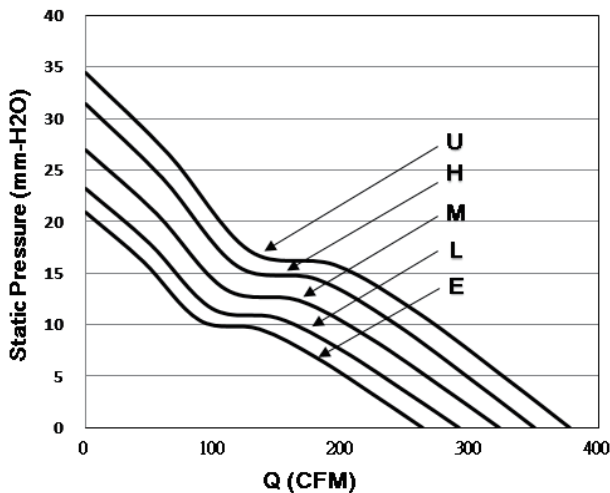
Major Characteristic Parameters

Model	Bearing System	Rated Voltage	Operating Voltage Range	Rated Current	Rated Power	Rated Speed	Maximum Air Flow	Maximum Static Pressure	Sound Level
Part NO.	B / R / S	V	V	A	Watt	RPM	m ³ /min CFM	mm-H ₂ O In-H ₂ O	dB(A)
DA15051_24E	B	24	14.0~26.4	0.70	16.80	3500	7.45 263.00	20.85 0.82	57.0
DA15051_48E	B	48	28.0~56.0	0.50	24.00	3500	7.45 263.00	20.85 0.82	57.0
DA15051_24L	B	24	14.0~26.4	1.00	24.00	4000	8.24 291.00	23.22 0.91	61.5
DA15051_48L	B	48	28.0~56.0	0.55	26.40	4000	8.24 291.00	23.22 0.91	61.5
DA15051_24M	B	24	14.0~26.4	1.50	36.00	4400	9.15 323.00	26.93 1.06	63.5
DA15051_48M	B	48	28.0~56.0	0.80	38.40	4400	9.15 323.00	26.93 1.06	63.5
DA15051_24H	B	24	14.0~26.4	2.10	50.40	4800	9.91 350.00	31.42 1.24	65.5
DA15051_48H	B	48	28.0~56.0	0.90	43.20	4800	9.91 350.00	31.42 1.24	65.5
DA15051_24U	B	24	14.0~26.4	2.40	57.60	5200	10.70 378.00	34.44 1.36	68.0
DA15051_48U	B	48	28.0~56.0	1.30	62.40	5200	10.70 378.00	34.44 1.36	68.0

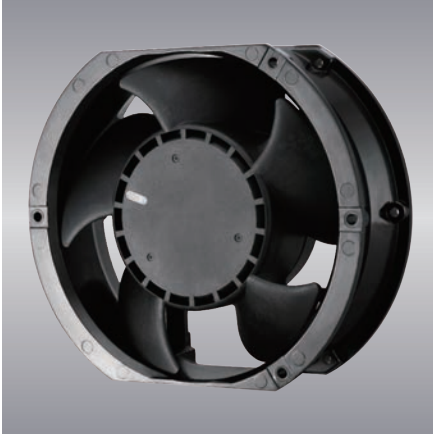
(Mark " * " may be researched to be the new current balance or speed rank or the more fit of part number needed if there is the optimal one in future.)

*Function type is optional. *All reading are typical values at rated voltage
* Bearing system B: Two Ball Bearing R: Hydraulic Bearing S: Sleeve Bearing

*Specifications are subject to change without notice
*Weight : 610g



BRUSHLESS DC AXIAL FAN



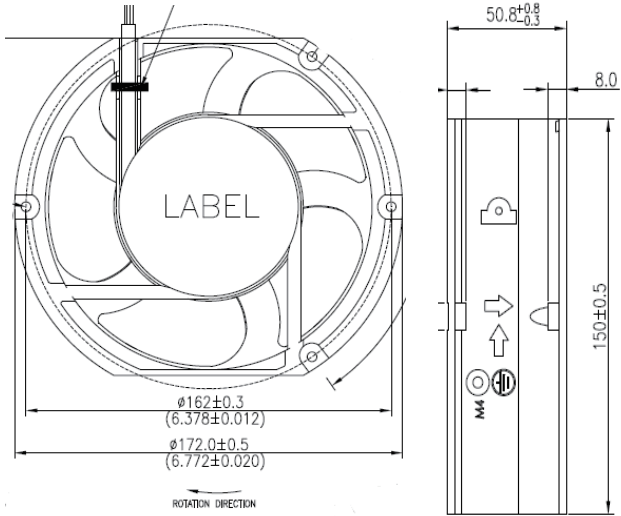
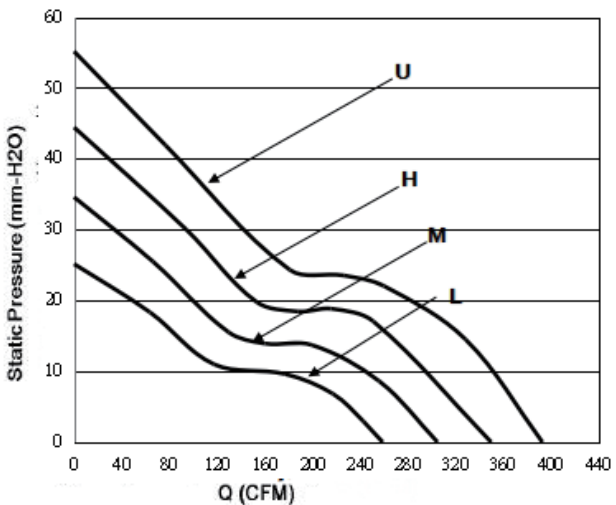
DATA SERIES **172*150*51 mm**

- Frame: Diecast Aluminum
- Impeller: Thermoplastic PBT +15%GF (UL94V-0).
- Storage temperature: -40°C to +75°C
- Operating temperature: -10°C to +70°C(B) / +60°C(R/S).

Major Characteristic Parameters

Model	Bearing System	Rated Voltage	Operating Voltage Range	Rated Current	Rated Power	Rated Speed	Maximum Air Flow		Maximum Static Pressure		Sound Level
Part NO.	B / R / S	V	V	A	Watt	RPM	m³/min	CFM	mm-H ₂ O	In-H ₂ O	dBA
DATA1551_4L	B	24	12~30	0.83	19.92	3700	7.35	259.50	25.10	0.99	59.0
DATA1551_4M	B	24	12~30	1.27	30.48	4300	8.46	305.10	34.60	1.36	63.0
DATA1551_4H	B	24	12~30	1.92	46.08	4900	9.91	350.00	44.70	1.76	66.0
DATA1551_4U	B	24	12~30	2.64	63.36	5500	11.15	393.70	55.10	2.17	68.5
(Mark " * " may be researched to be the new current balance or speed rank or the more fit of part number needed if there is the optimal one in future.)											

*Function type is optional. *All reading are typical values at rated voltage *Specifications are subject to change without notice
 * Bearing system B: Two Ball Bearing R: Hydraulic Bearing S: Sleeve Bearing *Weight : 950g



BRUSHLESS DC AXIAL FAN



DBTD SERIES 172*150*51 mm

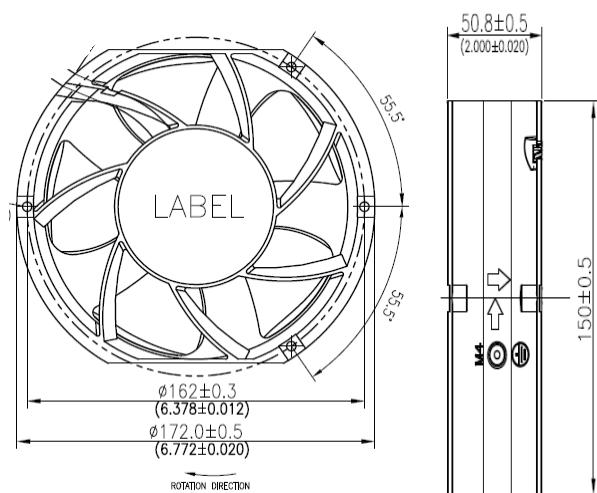
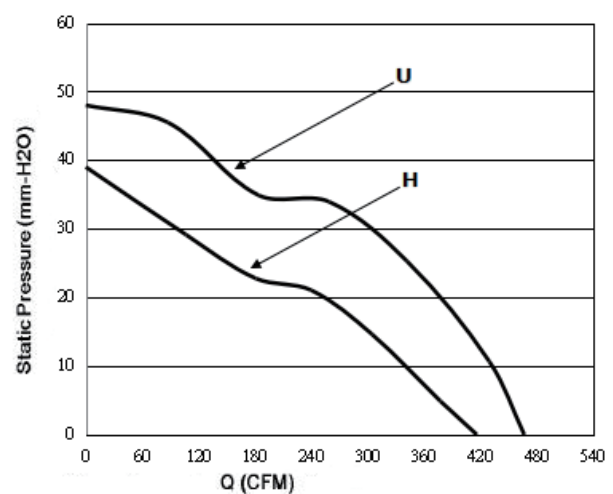
- Frame: Diecast Aluminum
- Impeller: Thermoplastic PBT +15%GF(UL94V-0).
- Storage temperature: -40°C to +75°C
- Operating temperature: -10°C to +70°C(B) / +60°C(R/S).

Major Characteristic Parameters

Model	Bearing System	Rated Voltage	Operating Voltage Range	Rated Current	Rated Power	Rated Speed	Maximum Air Flow		Maximum Static Pressure		Sound Level
Part NO.	B / R / S	V	V	A	Watt	RPM	m ³ /min	CFM	mm-H ₂ O	In-H ₂ O	dBA
DBTD1551_8H	B	48	36-72	1.15	55.2	5600	11.84	417.90	39.46	1.55	67.0
DBTD1551_8U	B	48	36-72	1.80	86.4	6300	13.22	467.00	47.00	1.85	70.5

(Mark " * " may be researched to be the new current balance or speed rank or the more fit of part number needed if there is the optimal one in future.)

*Function type is optional. *All reading are typical values at rated voltage *Specifications are subject to change without notice
* Bearing system B: Two Ball Bearing R: Hydraulic Bearing S: Sleeve Bearing *Weight : 960g



DC Blower Fans



BRUSHLESS DC BLOWER FAN



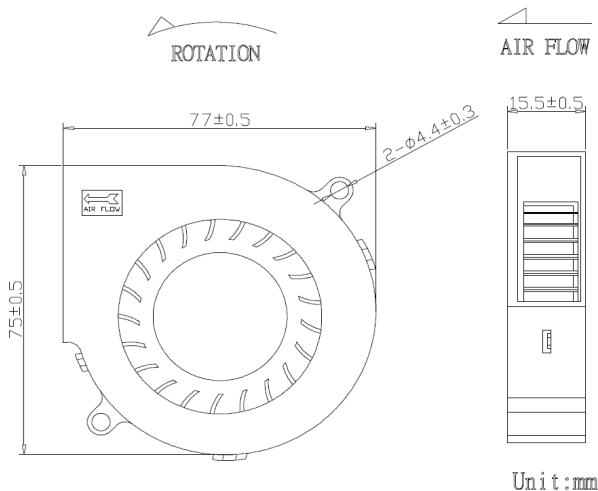
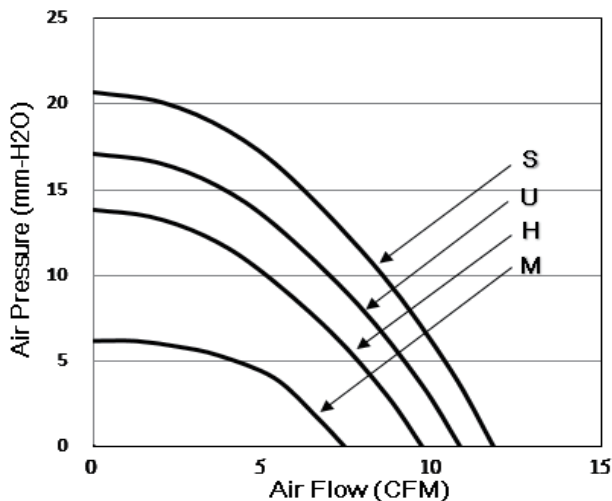
BA SERIES 75*75*15 mm

- Frame: Thermoplastic PBT +30%GF(94V-0).
- Impeller: Thermoplastic PBT +15%GF(94V-0).
- Storage temperature: -40°C to +75°C
- Operating temperature: -10°C to +70°C(B) / +60°C(R/S).

Major Characteristic Parameters

Model	Bearing System	Rated Voltage	Operating Voltage Range	Rated Current	Rated Power	Rated Speed	Maximum Air Flow		Maximum Static Pressure		Sound Level
							m³/min	CFM	mm-H₂O	In-H₂O	
Part NO.	B / R / S	V	V	A	Watt	RPM	m³/min	CFM	mm-H₂O	In-H₂O	dB(A)
*BA07015_12M	B	12	7.0~13.2	0.21	2.52	4000	0.21	7.40	6.20	0.24	43.0
*BA07015_12H	B	12	7.0~13.2	0.32	3.84	4500	0.27	9.70	13.80	0.54	47.0
BA07015_12U	B	12	7.0~13.2	0.40	4.80	5000	0.31	10.80	17.10	0.67	49.0
*BA07015_12S	B	12	7.0~13.2	0.50	6.00	5500	0.33	11.80	20.70	0.81	51.0
(Mark " * " may be researched to be the new current balance or speed rank or the more fit of part number needed if there is the optimal one in future.)											

*Function type is optional. *All reading are typical values at rated voltage *Specifications are subject to change without notice
 * Bearing system B: Two Ball Bearing R: Hydraulic Bearing S: Sleeve Bearing *Weight : 85g



BRUSHLESS DC BLOWER FAN



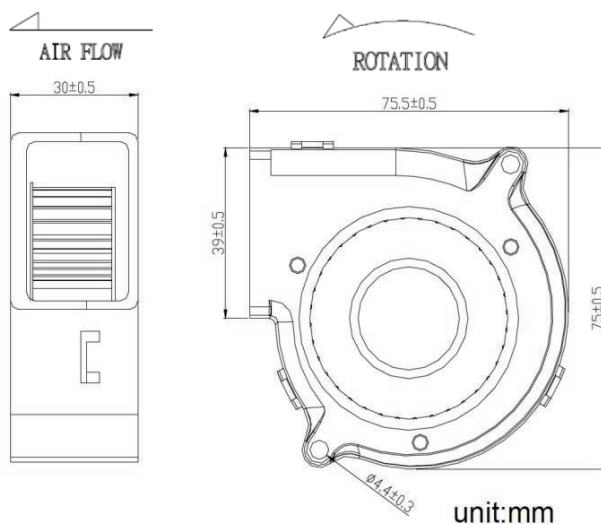
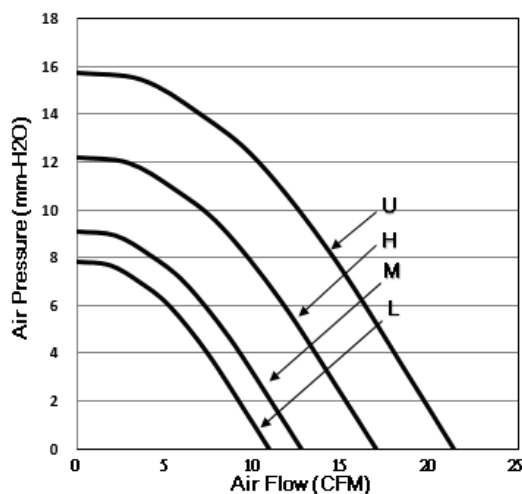
BA SERIES 75*75*30 mm

- Frame: Thermoplastic PBT +30%GF(94V-0).
- Impeller: Thermoplastic PBT +15%GF(94V-0).
- Storage temperature: -40°C to +75°C
- Operating temperature: -10°C to +70°C(B) / +60°C(R/S).

Major Characteristic Parameters

Model	Bearing System	Rated Voltage	Operating Voltage Range	Rated Current	Rated Power	Rated Speed	Maximum Air Flow		Maximum Static Pressure		Sound Level
Part NO.	B / R / S	V	V	A	Watt	RPM	m ³ /min	CFM	mm-H ₂ O	In-H ₂ O	dBA
*BA07530_12L	B R	12	7.0~13.2	0.19	2.28	2600	0.31	10.90	7.80	0.31	32.1
*BA07530_24L	B R	24	14.0~26.4	0.14	3.36	2600	0.31	10.90	7.80	0.31	32.1
BA07530_12M	B R	12	7.0~13.2	0.23	2.76	3000	0.36	12.70	9.10	0.36	41.4
BA07530_24M	B R	24	14.0~26.4	0.16	3.84	3000	0.36	12.70	9.10	0.36	41.4
BA07530_12H	B R	12	7.0~13.2	0.38	4.56	3600	0.48	17.00	12.20	0.48	47.5
BA07530_24H	B R	24	14.0~26.4	0.22	5.28	3600	0.48	17.00	12.20	0.48	47.5
BA07530_12U	B R	12	7.0~13.2	0.47	5.64	4000	0.61	21.40	15.70	0.62	51.3
BA07530_24U	B R	24	14.0~26.4	0.30	7.20	4000	0.61	21.40	15.70	0.62	51.3
(Mark " * " may be researched to be the new current balance or speed rank or the more fit of part number needed if there is the optimal one in future.)											

*Function type is optional. *All reading are typical values at rated voltage *Specifications are subject to change without notice
 * Bearing system B: Two Ball Bearing R: Hydraulic Bearing S: Sleeve Bearing *Weight : 100g



BRUSHLESS DC BLOWER FAN



F

SERIES 97*97*33 mm

- Frame: Thermoplastic PBT +30%GF(94V-0).
- Impeller: Thermoplastic PBT +15%GF(94V-0).
- Storage temperature: -40°C to +75°C
- Operating temperature: -10°C to +70°C(B) / +60°C(R/S).

Major Characteristic Parameters

Model	Bearing System	Rated Voltage	Operating Voltage Range	Rated Current	Rated Power	Rated Speed	Maximum Air Flow		Maximum Static Pressure		Sound Level
Part NO.	B / R / S	V	V	A	Watt	RPM	m ³ /min	CFM	mm-H ₂ O	In-H ₂ O	dB(A)
F9733_12L	B S	12	7.0~13.2	0.21	2.52	2200	0.46	16.30	6.20	0.24	43.0
F9733_12M	B S	12	7.0~13.2	0.32	3.84	2700	0.57	20.10	10.30	0.41	45.0
F9733_12H	B S	12	7.0~13.2	0.60	7.20	3600	0.82	28.80	22.00	0.87	52.0

(Mark " * " may be researched to be the new current balance or speed rank or the more fit of part number needed if there is the optimal one in future.)

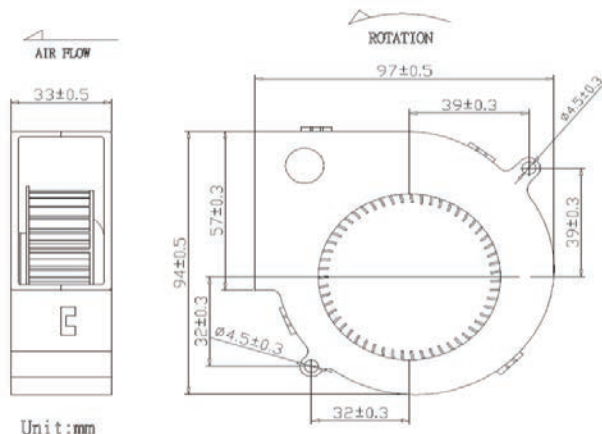
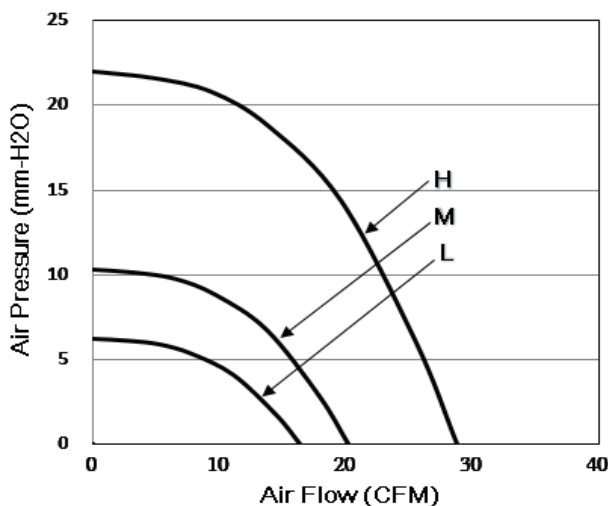
*Function type is optional.

*All reading are typical values at rated voltage

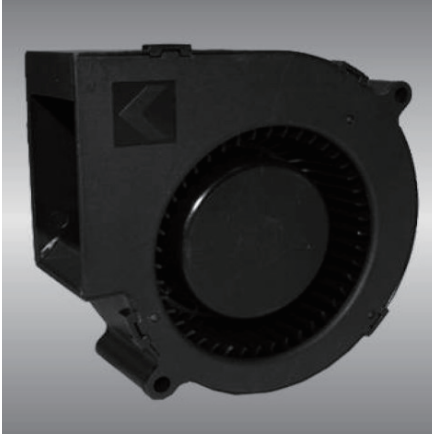
*Specifications are subject to change without notice

* Bearing system B: Two Ball Bearing R: Hydraulic Bearing S: Sleeve Bearing

*Weight : 150g



BRUSHLESS DC BLOWER FAN



BA SERIES 97*97*33 mm

- Frame: Thermoplastic PBT +30%GF(94V-0).
- Impeller: Thermoplastic PBT +15%GF(94V-0).
- Storage temperature: -40°C to +75°C
- Operating temperature: -10°C to +70°C(B) / +60°C(R/S).

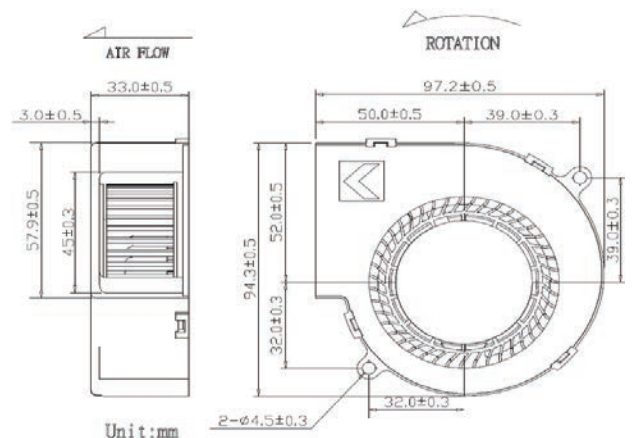
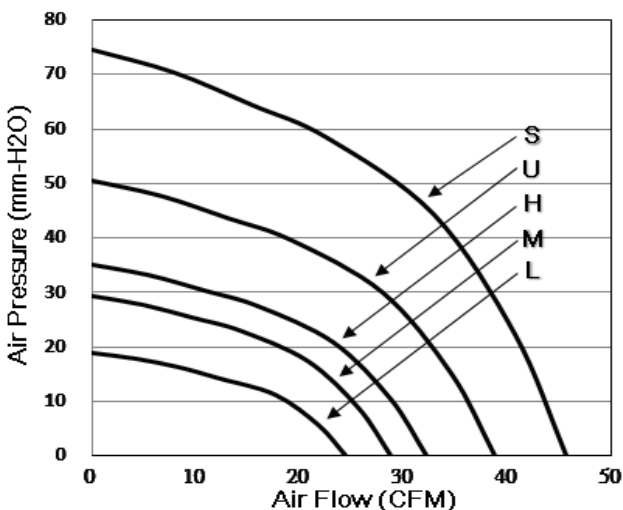
Major Characteristic Parameters

Model	Bearing System	Rated Voltage	Operating Voltage Range	Rated Current	Rated Power	Rated Speed	Maximum Air Flow		Maximum Static Pressure		Sound Level
Part NO.	B / R / S	V	V	A	Watt	RPM	m³/min	CFM	mm-H ₂ O	In-H ₂ O	dB(A)
BA10033_12L	B	12	7.0~13.2	0.38	4.56	2700	0.69	24.40	18.95	0.75	48.0
BA10033_24L	B	24	14.0~26.4	0.22	5.28	2700	0.69	24.40	18.95	0.75	48.0
BA10033_12M	B	12	7.0~13.2	0.66	7.92	3200	0.81	28.74	29.21	1.15	52.5
BA10033_24M	B	24	14.0~26.4	0.34	8.16	3200	0.81	28.74	29.21	1.15	52.5
BA10033_12H	B	12	7.0~13.2	0.88	10.56	3600	0.91	32.21	35.10	1.38	54.8
BA10033_24H	B	24	14.0~26.4	0.45	10.80	3600	0.91	32.21	35.10	1.38	54.8
BA10033_12U	B	12	7.0~13.2	1.55	18.60	4200	1.10	38.68	50.61	1.99	58.4
BA10033_12S	B	12	7.0~13.2	1.90	22.80	5000	1.29	45.61	74.68	2.94	62.7

(Mark " * " may be researched to be the new current balance or speed rank or the more fit of part number needed if there is the optimal one in future.)

*Function type is optional. *All reading are typical values at rated voltage
 * Bearing system B: Two Ball Bearing R: Hydraulic Bearing S: Sleeve Bearing

*Specifications are subject to change without notice
 *Weight : 180g



AC Axial Fans



BRUSHLESS AC AXIAL FAN



AS SERIES 80*80*38 mm

- Motor: Shaded pole AC motor.
- Frame & Imeller: Al Die-casting & PBT plastic.
- Storage temperature: -40°C to +75°C
- Operating temperature: -10°C to +70°C(B) / +60°C(S).

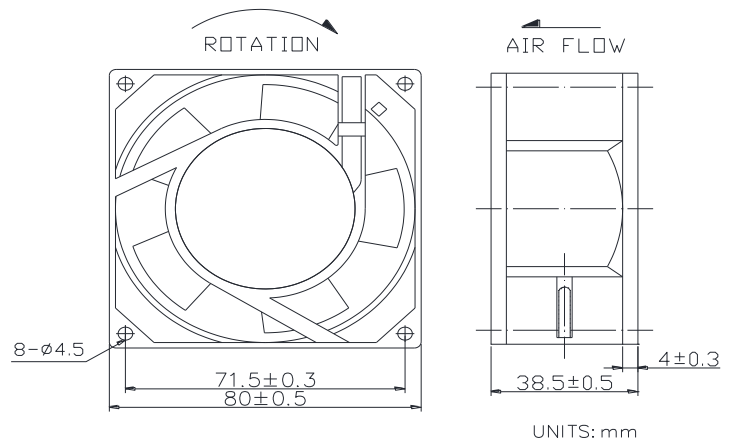
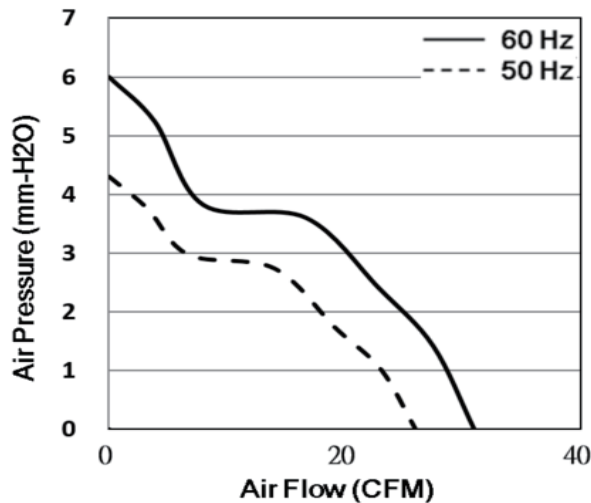
Major Characteristic Parameters

Model	Bearing System	Rated Voltage	Freq.	Input Power	Rated Speed	Maximum Air Flow		Maximum Static Pressure		Sound Level	Weight
						m ³ /min	CFM	mm-H ₂ O	In-H ₂ O		
Part NO.	B / S	V	Hz	Watt	RPM	m ³ /min	CFM	mm-H ₂ O	In-H ₂ O	dB(A)	KG
AS8038-V1H-__	B S	110	50/60	14/11	2450/2950	0.74/0.88	26/31	4.3/6.0	0.17/0.24	26/30	0.37
AS8038-V2H-__	B S	230	50/60	14/11	2450/2950	0.74/0.88	26/31	4.3/6.0	0.17/0.24	26/30	0.37

*All reading are typical values at rated voltage

*Specifications are subject to change without notice

* Bearing system B: Two Ball Bearing S: Sleeve Bearing



BRUSHLESS AC AXIAL FAN



AS SERIES 120*120*25 mm

- Motor: Shaded pole AC motor.
- Frame & Impeller: Al Die-casting & PBT plastic.
- Storage temperature: -40°C to +75°C
- Operating temperature: -10°C to +70°C(B) / +60°C(S).

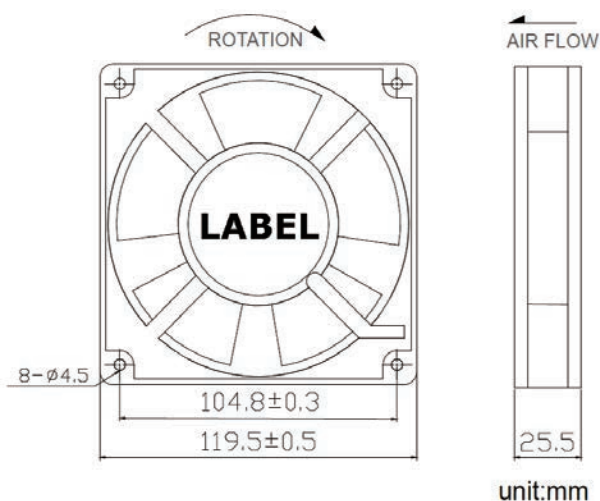
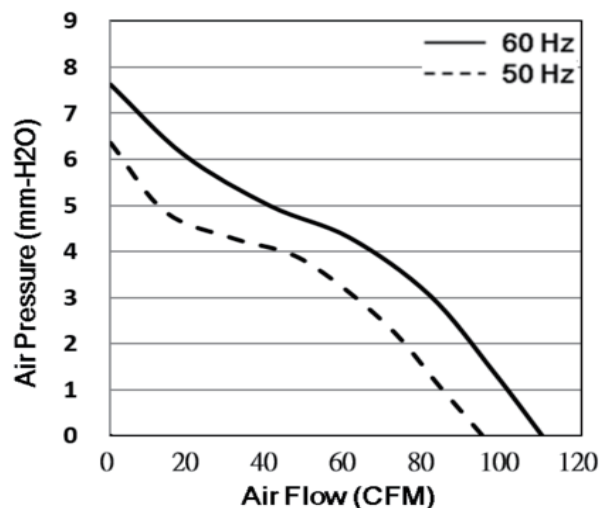
Major Characteristic Parameters

Model	Bearing System	Rated Voltage	Freq.	Input Power	Rated Speed	Maximum Air Flow		Maximum Static Pressure		Sound Level	Weight
						m ³ /min	CFM	mm-H ₂ O	In-H ₂ O		
Part NO.	B / S	V	Hz	Watt	RPM	m ³ /min	CFM	mm-H ₂ O	In-H ₂ O	dBA	KG
AS12025-V1H-__	B S	110	50/60	20/17	2200/2500	1.81/2.29	64/81	5.0/5.9	0.20/0.23	37/38	0.39
AS12025-V2H-__	B S	230	50/60	20/17	2200/2500	1.81/2.29	64/81	5.0/5.9	0.20/0.23	37/38	0.39

*All reading are typical values at rated voltage

*Specifications are subject to change without notice

* Bearing system B: Two Ball Bearing S: Sleeve Bearing



BRUSHLESS AC AXIAL FAN



AS SERIES 120*120*38 mm

- Motor: Shaded pole AC motor.
- Frame & Imeller: Al Die-casting & PBT plastic.
- Storage temperature: -40°C to +75°C
- Operating temperature: -10°C to +70°C(B) / +60°C(S).

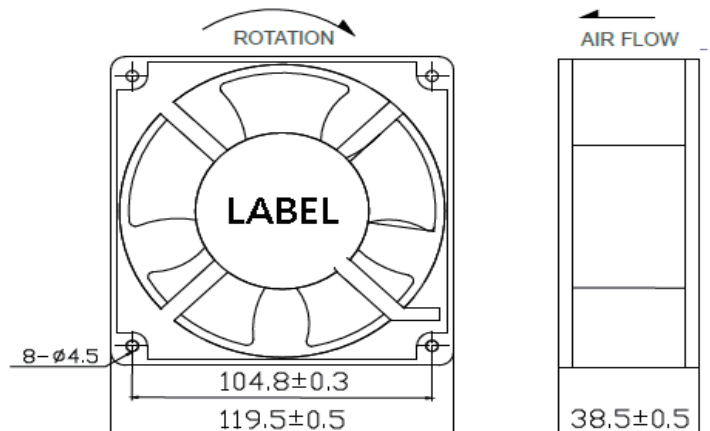
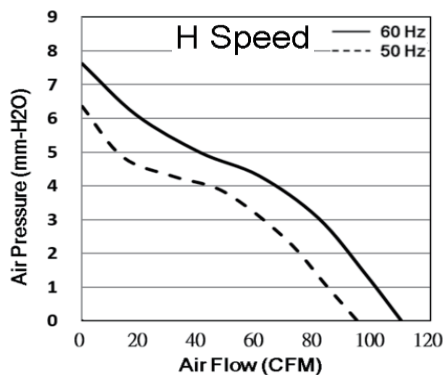
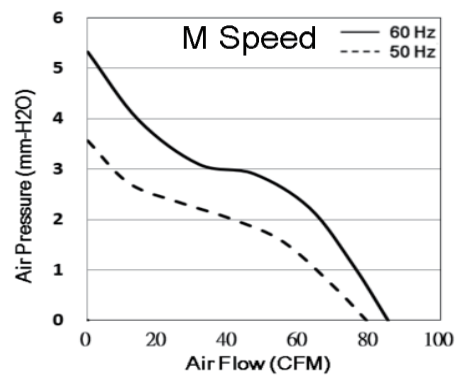
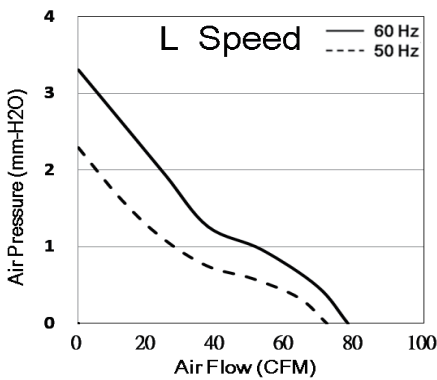
Major Characteristic Parameters

Model	Bearing System	Rated Voltage	Freq.	Input Power	Rated Speed	Maximum Air Flow		Maximum Static Pressure		Sound Level	Weight
						m ³ /min	CFM	mm-H ₂ O	In-H ₂ O		
Part NO.	B / S	V	Hz	Watt	RPM	m ³ /min	CFM	mm-H ₂ O	In-H ₂ O	dB(A)	KG
AS12038-V1L-__	B S	110	50/60	11/11	2150/2300	2.04/2.21	72/78	2.29/3.30	0.09/0.13	26/27	0.53
AS12038-V2L-__	B S	230	50/60	11/11	2150/2300	2.04/2.21	72/78	2.29/3.30	0.09/0.13	26/27	0.53
AS12038-V1M-__	B S	110	50/60	15/15	2400/2600	2.24/2.41	79/85	3.56/5.33	0.14/0.21	36/37	0.53
AS12038-V2M-__	B S	230	50/60	15/15	2400/2600	2.24/2.41	79/85	3.56/5.33	0.14/0.21	36/37	0.53
AS12038-V1H-__	B S	110	50/60	19/16	2600/3100	2.69/3.11	95/110	6.35/7.62	0.25/0.30	43/44	0.53
AS12038-V2H-__	B S	230	50/60	19/16	2600/3100	2.69/3.11	95/110	6.35/7.62	0.25/0.30	43/44	0.53

*All reading are typical values at rated voltage

*Specifications are subject to change without notice

* Bearing system B: Two Ball Bearing S: Sleeve Bearing



BRUSHLESS AC AXIAL FAN



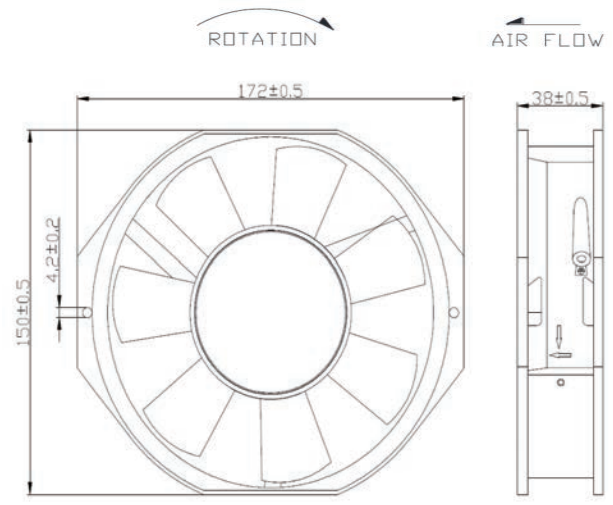
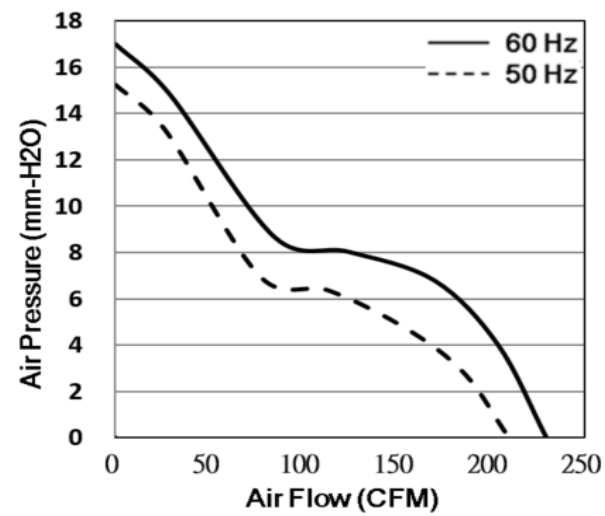
D6 SERIES 172*150*38 mm

- Motor: Induction Capacitor motor.
- Frame & Imeller: Al Die-casting & Plastic.
- Storage temperature: -40°C to +75°C
- Operating temperature: -10°C to +70°C(B) / +60°C(S).

Major Characteristic Parameters

Model	Bearing System	Rated Voltage	Freq.	Input Power	Rated Speed	Maximum Air Flow		Maximum Static Pressure		Sound Level	Weight
						m ³ /min	CFM	mm-H ₂ O	In-H ₂ O		
Part NO.	B / S	V	Hz	Watt	RPM	m ³ /min	CFM	mm-H ₂ O	In-H ₂ O	dBA	KG
D6KA1738_AH5W	B	115	50/60	36/35	2800/3200	5.95/6.51	210/230	15.24/17.02	0.60/0.67	51/56	0.74
D6KA1738_BH5W	B	230	50/60	36/35	2800/3200	5.95/6.51	210/230	15.24/17.02	0.60/0.67	51/56	0.74

* Function type is optional. *All reading are typical values at rated voltage *Specifications are subject to change without notice
 * Bearing system B: Two Ball Bearing S: Sleeve Bearing



BRUSHLESS AC AXIAL FAN



AE SERIES 172*150*51 mm

- Motor: Shaded pole AC motor.
- Frame & Imeller: Al Die-casting & PBT plastic.
- Storage temperature: -40°C to +75°C
- Operating temperature: -10°C to +70°C(B) / +60°C(S).

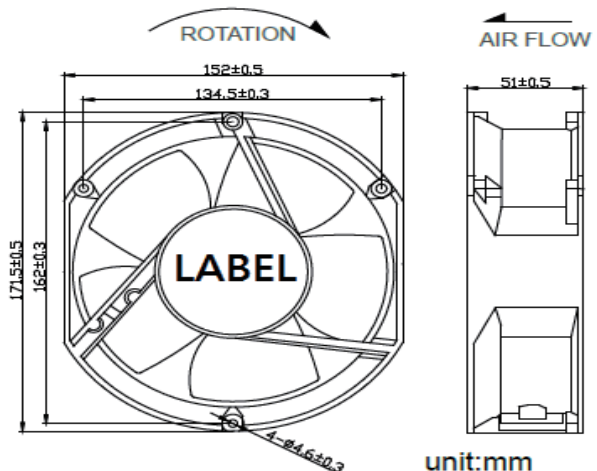
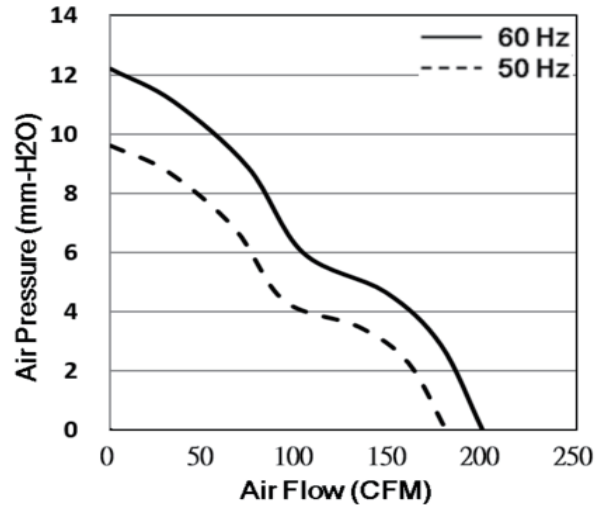
Major Characteristic Parameters

Model	Bearing System	Rated Voltage	Freq.	Input Power	Rated Speed	Maximum Air Flow		Maximum Static Pressure		Sound Level	Weight
						m ³ /min	CFM	mm-H ₂ O	In-H ₂ O		
Part NO.	B / S	V	Hz	Watt	RPM	m ³ /min	CFM	mm-H ₂ O	In-H ₂ O	dB(A)	KG
AE17251-V1H-__	B	110	50/60	35/32	2700/3000	5.10/5.66	180/200	9.6/12.2	0.38/0.48	50/52	1.05
AE17251-V2H-__	B	230	50/60	35/32	2700/3000	5.10/5.66	180/200	9.6/12.2	0.38/0.48	50/52	1.05

*All reading are typical values at rated voltage

*Specifications are subject to change without notice

* Bearing system B: Two Ball Bearing S: Sleeve Bearing



BRUSHLESS AC AXIAL FAN



D3 SERIES 172*150*51 mm

- Motor: Induction Capacitor motor.
- Frame & Imeller: Al Die-casting & Metal.
- Storage temperature: -40°C to +75°C
- Operating temperature: -10°C to +70°C(B) / +60°C(S).

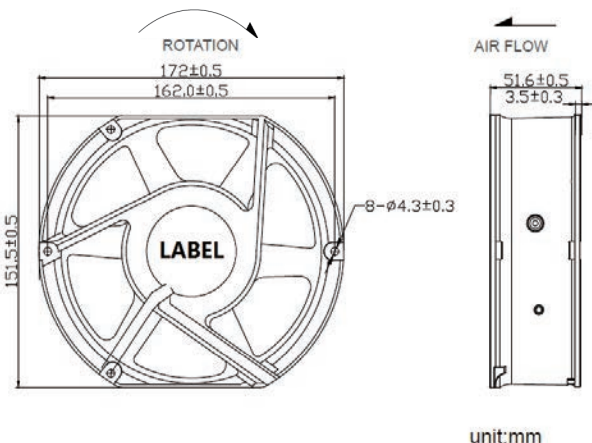
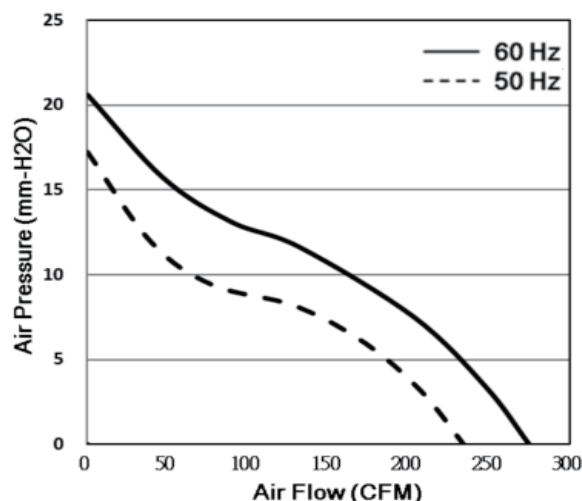
Major Characteristic Parameters

Model	Bearing System	Rated Voltage	Freq.	Input Power	Rated Speed	Maximum Air Flow		Maximum Static Pressure		Sound Level	Weight
						m ³ /min	CFM	mm-H ₂ O	In-H ₂ O		
Part NO.	B / S	V	Hz	Watt	RPM	m ³ /min	CFM	mm-H ₂ O	In-H ₂ O	dBA	KG
D3KC1751BAH5W	B	115	50/60	27/27	2900/3200	6.63/7.79	234/275	17.2/20.6	0.68/0.81	51/61	1.03
D3KC1751BBH5W	B	230	50/60	27/27	2900/3200	6.63/7.79	234/275	17.2/20.6	0.68/0.81	51/61	1.03

*All reading are typical values at rated voltage

*Specifications are subject to change without notice

* Bearing system B: Two Ball Bearing S: Sleeve Bearing



BRUSHLESS AC AXIAL FAN



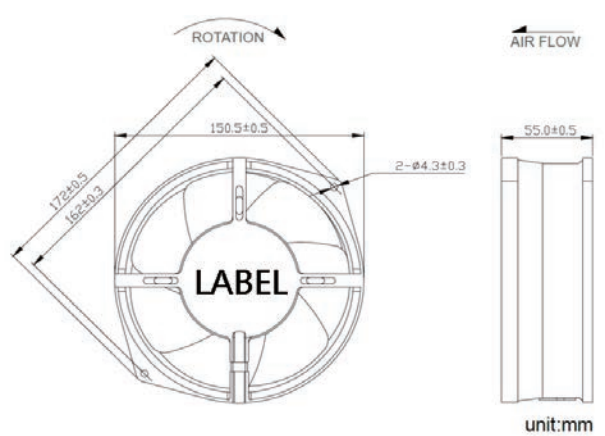
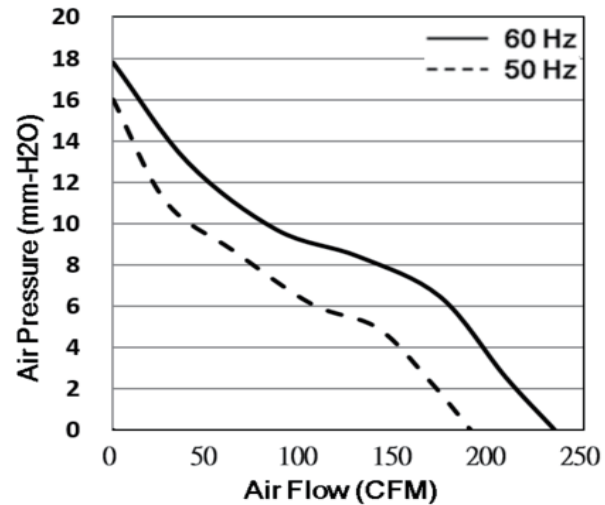
D3 SERIES 172*150*55 mm

- Motor: External Shaded motor.
- Frame & Imeller: Al Die-casting & Metal.
- Storage temperature: -40°C to +75°C
- Operating temperature: -10°C to +70°C(B) / +60°C(S).

Major Characteristic Parameters

Model	Bearing System	Rated Voltage	Freq.	Input Power	Rated Speed	Maximum Air Flow		Maximum Static Pressure		Sound Level	Weight
						m ³ /min	CFM	mm-H ₂ O	In-H ₂ O		
Part NO.	B / S	V	Hz	Watt	RPM	m ³ /min	CFM	mm-H ₂ O	In-H ₂ O	dBA	KG
D3KB1755BAH7W	B	110	50/60	39/38	2800/3100	5.38/6.65	190/235	16.0/17.8	0.63/0.70	49/53	1.1
D3KB1755BBH7W	B	230	50/60	39/38	2800/3100	5.38/6.65	190/235	16.0/17.8	0.63/0.70	49/53	1.1

* Function type is optional. *All reading are typical values at rated voltage *Specifications are subject to change without notice
 * Bearing system B: Two Ball Bearing S: Sleeve Bearing



BRUSHLESS AC AXIAL FAN



D4

SERIES 225*225*80 mm

- Motor: External Rotor Capacitor Motor.
- Frame & Imeller: Al Die-casting & Metal.
- Storage temperature: -40°C to +75°C
- Operating temperature: -10°C to +70°C.

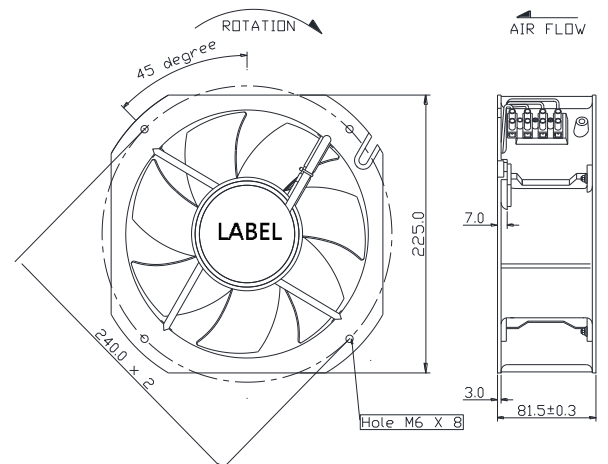
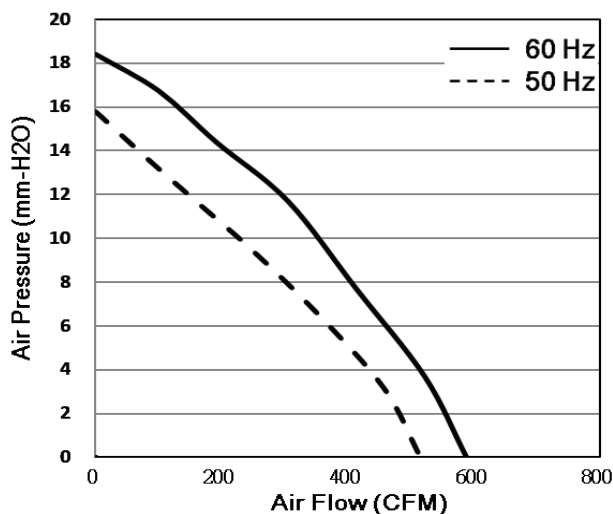
Major Characteristic Parameters

Model	Bearing System	Rated Voltage	Freq.	Input Power	Rated Speed	Maximum Air Flow		Maximum Static Pressure		Sound Level	Weight
Part NO.	B / S	V	Hz	Watt	RPM	m ³ /min	CFM	mm-H ₂ O	In-H ₂ O	dB(A)	KG
D4KA2280BAH3WAW	B	115	50/60	60/78	2550/2850	14.6/16.7	515/589	15.8/18.4	0.62/0.72	60/62	2.11
D4KA2280BBH3WAW	B	230	50/60	60/78	2550/2850	14.6/16.7	515/589	15.8/18.4	0.62/0.72	60/62	2.11

*All reading are typical values at rated voltage

*Specifications are subject to change without notice

* Bearing system B: Two Ball Bearing S: Sleeve Bearing



BRUSHLESS AC AXIAL FAN



AR SERIES $\Phi 254*89$ mm

- Motor: Induction Capacitor motor.
- Frame & Imeller: Al Die-casting & PBT plastic.
- Storage temperature: -40°C to $+75^{\circ}\text{C}$
- Operating temperature: -10°C to $+70^{\circ}\text{C}$ (B) / $+60^{\circ}\text{C}$ (S).

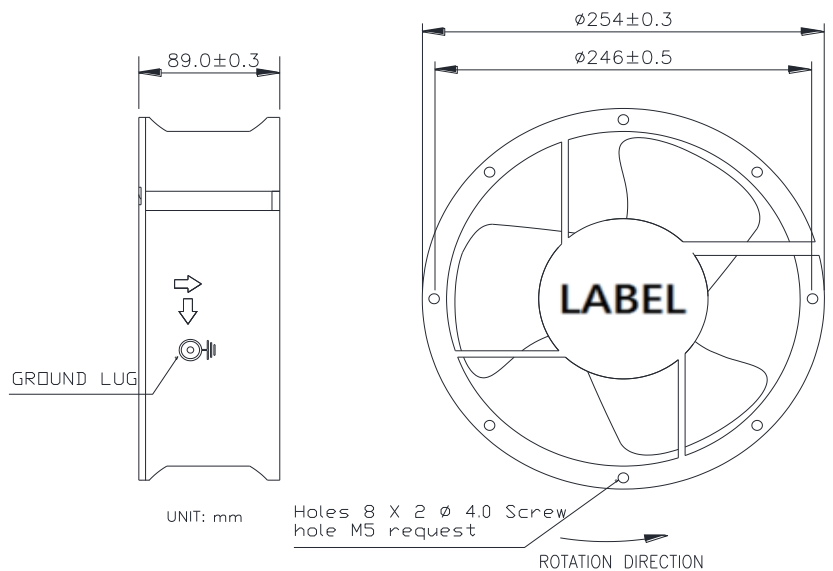
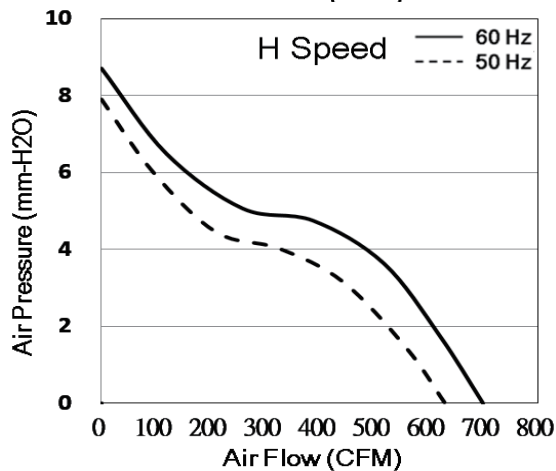
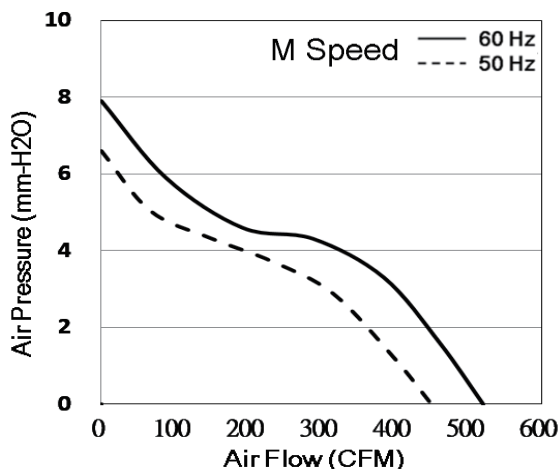
Major Characteristic Parameters

Model	Bearing System	Rated Voltage	Freq.	Input Power	Rated Speed	Maximum Air Flow		Maximum Static Pressure		Sound Level	Weight
						m ³ /min	CFM	mm-H ₂ O	In-H ₂ O		
Part NO.	B / S	V	Hz	Watt	RPM	m ³ /min	CFM	mm-H ₂ O	In-H ₂ O	dB(A)	KG
AR25489-V1M	B	110	50/60	34/37	1400/1600	12.74/14.72	450/520	6.6/7.9	0.26/0.31	49/51	2.00
AR25489-V2M	B	230	50/60	34/37	1400/1600	12.74/14.72	450/520	6.6/7.9	0.26/0.31	49/51	2.00
AR25489-V1H	B	110	50/60	60/67	2000/2150	17.84/19.82	630/700	7.9/8.7	0.31/0.34	54/56	2.00
AR25489-V2H	B	230	50/60	60/67	2000/2150	17.84/19.82	630/700	7.9/8.7	0.31/0.34	54/56	2.00

*All reading are typical values at rated voltage

*Specifications are subject to change without notice

* Bearing system B: Two Ball Bearing S: Sleeve Bearing



BRUSHLESS AC CENTRIFUGAL FAN



B5 SERIES $\Phi 190 \times 68$ mm

- Motor: Induction Capacitor motor.
- Frame & Imeller: Al Die-casting & PBT plastic.
- Storage temperature: -40°C to +75°C
- Operating temperature: -10°C to +70°C(B) / +60°C(S).

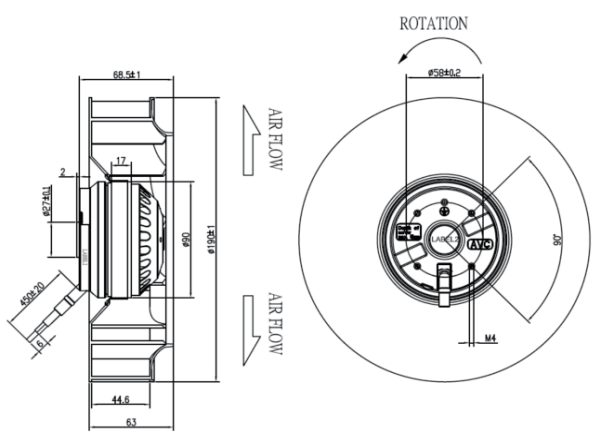
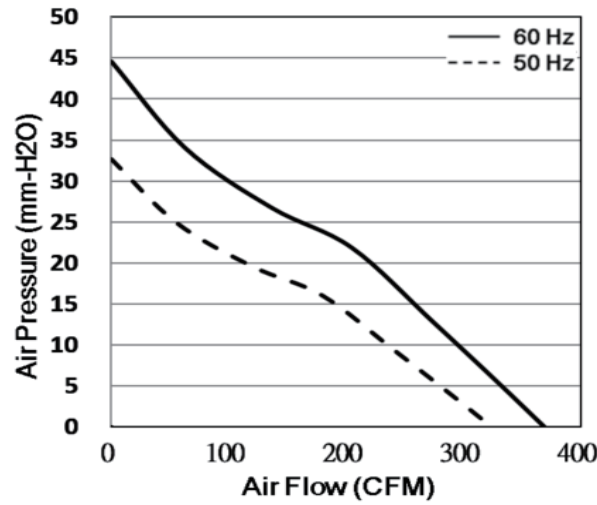
Major Characteristic Parameters

Model	Bearing System	Rated Voltage	Freq.	Input Power	Rated Speed	Maximum Air Flow		Maximum Static Pressure		Sound Level	Weight
Part NO.	B / S	V	Hz	Watt	RPM	m ³ /min	CFM	mm-H ₂ O	In-H ₂ O	dBA	KG
B5AA1968BAH3WAW	B	110	50/60	64/77	2500/2800	9.17/10.45	324/369	32.7/44.6	1.29/1.76	64/67	1.28
B5AA1968BBH3WAW	B	230	50/60	64/77	2500/2800	9.17/10.45	324/369	32.7/44.6	1.29/1.76	64/67	1.28

*All reading are typical values at rated voltage

*Specifications are subject to change without notice

* Bearing system B: Two Ball Bearing S: Sleeve Bearing



EC Axial Fans



BRUSHLESS EC AXIAL FAN



ECDA

SERIES 120*120*38 mm

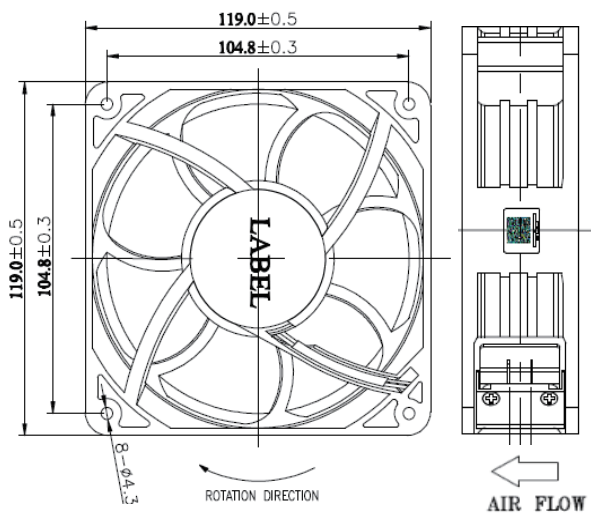
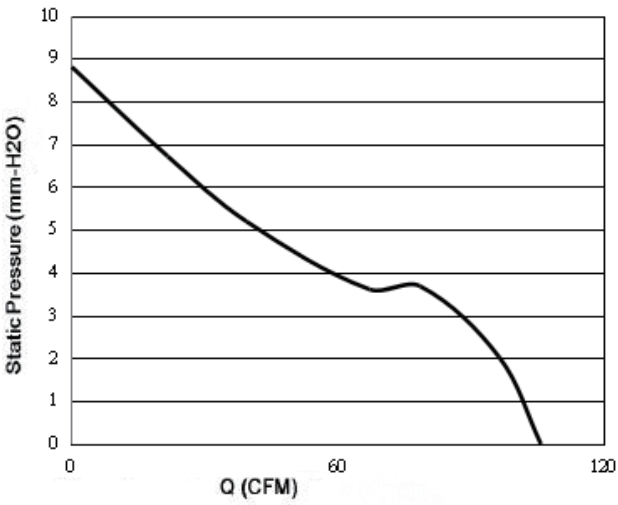
- Frame: Thermoplastic PBT +30%GF(UL94V-0).
- Impeller: Thermoplastic PBT +15%GF(UL94V-0).
- Storage temperature: -40°C to +75°C
- Operating temperature: -10°C to +70°C(B) / +60°C(R/S).

Major Characteristic Parameters

Model	Bearing System	Rated Voltage	Operating Voltage Range	Rated Current	Rated Power	Rated Speed	Maximum Air Flow		Maximum Static Pressure		Sound Level
Part NO.	B / R / S	V	V	A	Watt	RPM	m ³ /min	CFM	mm-H ₂ O	In-H ₂ O	dBA
ECDA1238BBH	B	220V	90~230	0.2	5	2950	3.01	106.18	8.83	0.35	42.0

(Mark " * " may be researched to be the new current balance or speed rank or the more fit of part number needed if there is the optimal one in future.)

*Function type is optional. *All reading are typical values at rated voltage *Specifications are subject to change without notice
 * Bearing system B: Two Ball Bearing R: Hydraulic Bearing S: Sleeve Bearing *Weight : 300g





ASIA VITAL COMPONENTS CO., LTD.
www.avc-europa.de

Asia Vital Components Europa GmbH

Willicher Damm 127
41066 Mönchengladbach
Germany

Phone +49 (0) 2161 566 2790
Fax +49 (0) 2161 566 2799
sales@avc-europa.de

Global Location

AVC Taiwan --- Headquarter
AVC China
AVC USA
AVC Canada
AVC Korea
AVC Europe (Germany)

