

AC Axial Fans



BRUSHLESS AC AXIAL FAN



AS SERIES 120*120*38 mm

- Motor: Shaded pole AC motor.
- Frame & Imeller: Al Die-casting & PBT plastic.
- Storage temperature: -40°C to +75°C
- Operating temperature: -10°C to +70°C(B) / +60°C(S).

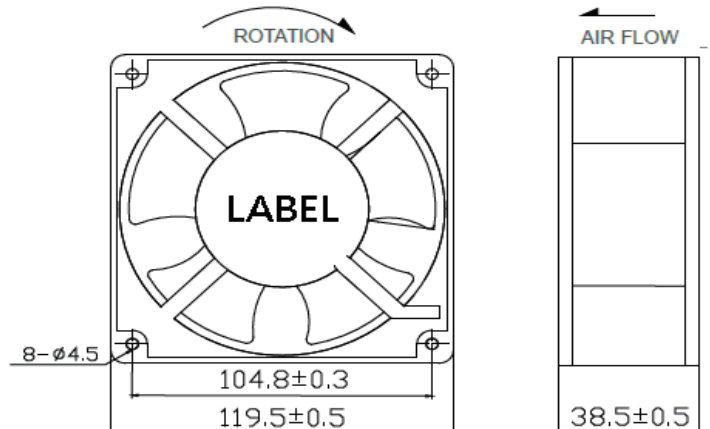
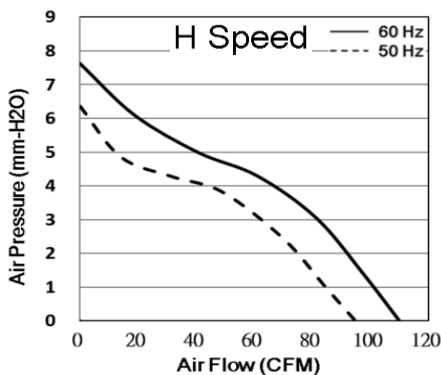
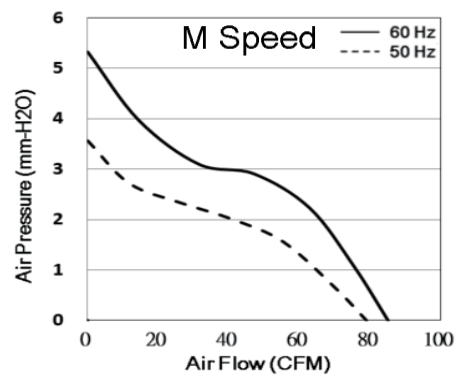
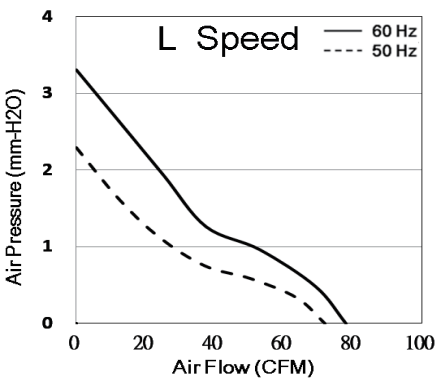
Major Characteristic Parameters

Model	Bearing System	Rated Voltage	Freq.	Input Power	Rated Speed	Maximum Air Flow		Maximum Static Pressure		Sound Level	Weight
						m ³ /min	CFM	mm-H ₂ O	In-H ₂ O		
Part NO.	B / S	V	Hz	Watt	RPM	m ³ /min	CFM	mm-H ₂ O	In-H ₂ O	dB(A)	KG
AS12038-V1L-__	B S	110	50/60	11/11	2150/2300	2.04/2.21	72/78	2.29/3.30	0.09/0.13	26/27	0.53
AS12038-V2L-__	B S	230	50/60	11/11	2150/2300	2.04/2.21	72/78	2.29/3.30	0.09/0.13	26/27	0.53
AS12038-V1M-__	B S	110	50/60	15/15	2400/2600	2.24/2.41	79/85	3.56/5.33	0.14/0.21	36/37	0.53
AS12038-V2M-__	B S	230	50/60	15/15	2400/2600	2.24/2.41	79/85	3.56/5.33	0.14/0.21	36/37	0.53
AS12038-V1H-__	B S	110	50/60	19/16	2600/3100	2.69/3.11	95/110	6.35/7.62	0.25/0.30	43/44	0.53
AS12038-V2H-__	B S	230	50/60	19/16	2600/3100	2.69/3.11	95/110	6.35/7.62	0.25/0.30	43/44	0.53

*All reading are typical values at rated voltage

*Specifications are subject to change without notice

* Bearing system B: Two Ball Bearing S: Sleeve Bearing



BRUSHLESS AC AXIAL FAN



D4

SERIES 225*225*80 mm

- Motor: External Rotor Capacitor Motor.
- Frame & Imeller: Al Die-casting & Metal.
- Storage temperature: -40°C to +75°C
- Operating temperature: -10°C to +70°C.

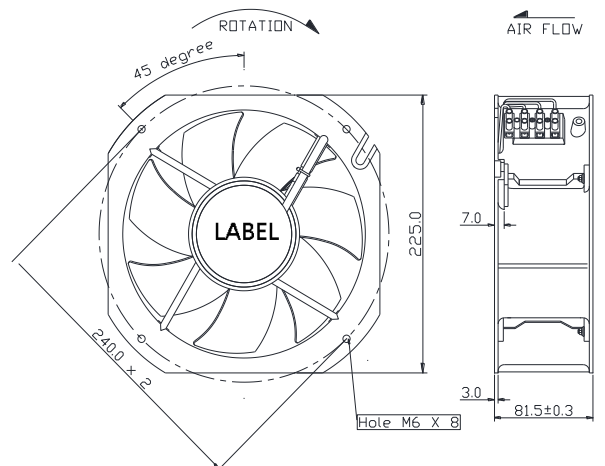
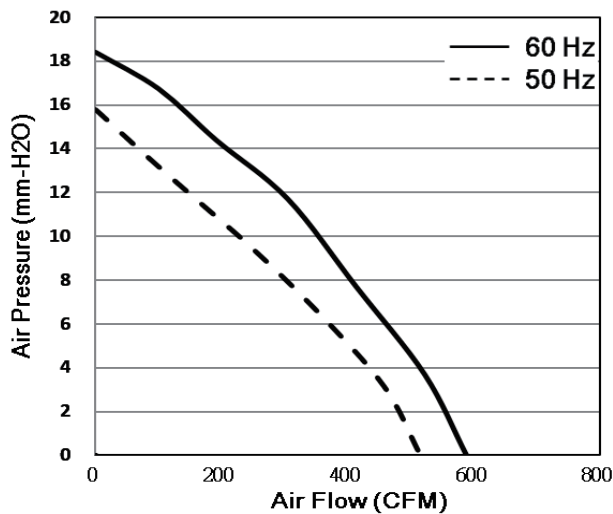
Major Characteristic Parameters

Model	Bearing System	Rated Voltage	Freq.	Input Power	Rated Speed	Maximum Air Flow		Maximum Static Pressure		Sound Level	Weight
Part NO.	B / S	V	Hz	Watt	RPM	m ³ /min	CFM	mm-H ₂ O	In-H ₂ O	dBA	KG
D4KA2280BAH3WAW	B	115	50/60	60/78	2550/2850	14.6/16.7	515/589	15.8/18.4	0.62/0.72	60/62	2.11
D4KA2280BBH3WAW	B	230	50/60	60/78	2550/2850	14.6/16.7	515/589	15.8/18.4	0.62/0.72	60/62	2.11

*All reading are typical values at rated voltage

*Specifications are subject to change without notice

* Bearing system B: Two Ball Bearing S: Sleeve Bearing



BRUSHLESS AC AXIAL FAN



AR SERIES $\Phi 254*89$ mm

- Motor: Induction Capacitor motor.
- Frame & Imeller: Al Die-casting & PBT plastic.
- Storage temperature: -40°C to $+75^{\circ}\text{C}$
- Operating temperature: -10°C to $+70^{\circ}\text{C}$ (B) / $+60^{\circ}\text{C}$ (S).

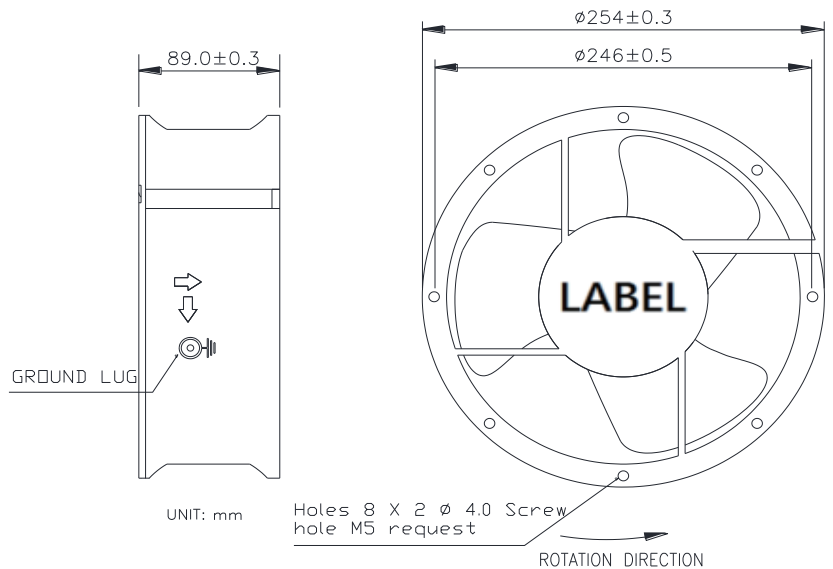
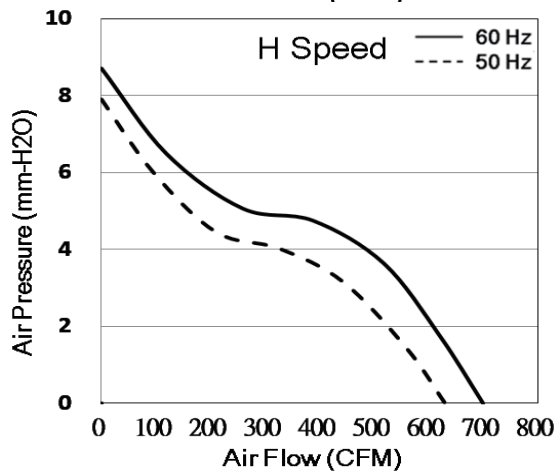
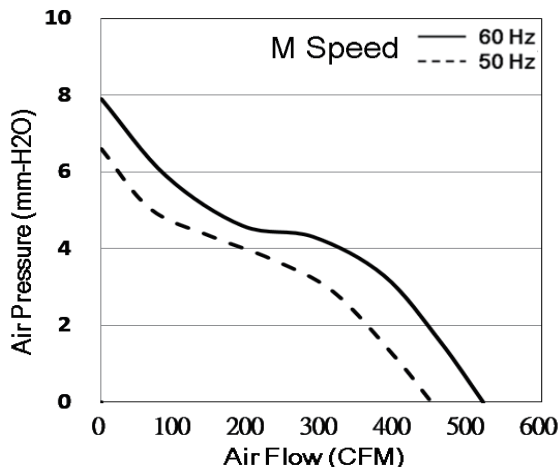
Major Characteristic Parameters

Model	Bearing System	Rated Voltage	Freq.	Input Power	Rated Speed	Maximum Air Flow		Maximum Static Pressure		Sound Level	Weight
						m ³ /min	CFM	mm-H ₂ O	In-H ₂ O		
Part NO.	B / S	V	Hz	Watt	RPM	m ³ /min	CFM	mm-H ₂ O	In-H ₂ O	dB(A)	KG
AR25489-V1M	B	110	50/60	34/37	1400/1600	12.74/14.72	450/520	6.6/7.9	0.26/0.31	49/51	2.00
AR25489-V2M	B	230	50/60	34/37	1400/1600	12.74/14.72	450/520	6.6/7.9	0.26/0.31	49/51	2.00
AR25489-V1H	B	110	50/60	60/67	2000/2150	17.84/19.82	630/700	7.9/8.7	0.31/0.34	54/56	2.00
AR25489-V2H	B	230	50/60	60/67	2000/2150	17.84/19.82	630/700	7.9/8.7	0.31/0.34	54/56	2.00

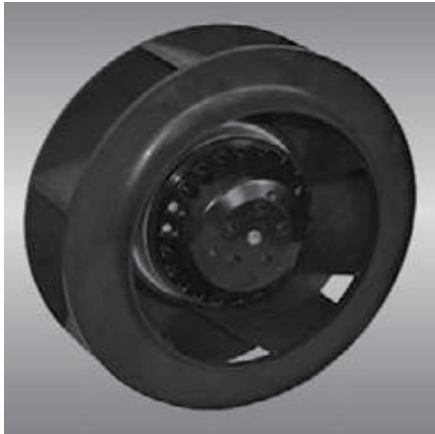
*All reading are typical values at rated voltage

*Specifications are subject to change without notice

* Bearing system B: Two Ball Bearing S: Sleeve Bearing



BRUSHLESS AC CENTRIFUGAL FAN



B5 SERIES $\Phi 190 \times 68$ mm

- Motor: Induction Capacitor motor.
- Frame & Impeller: Al Die-casting & PBT plastic.
- Storage temperature: -40°C to +75°C
- Operating temperature: -10°C to +70°C(B) / +60°C(S).

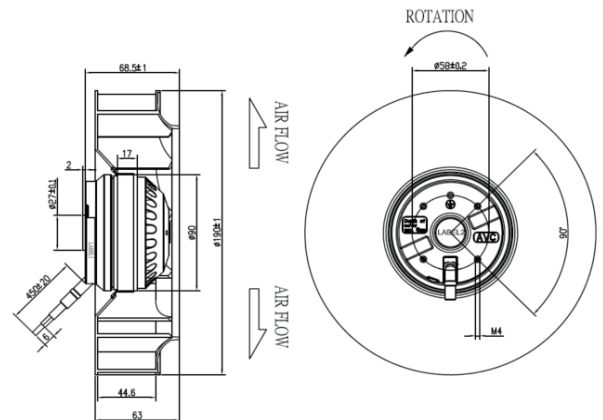
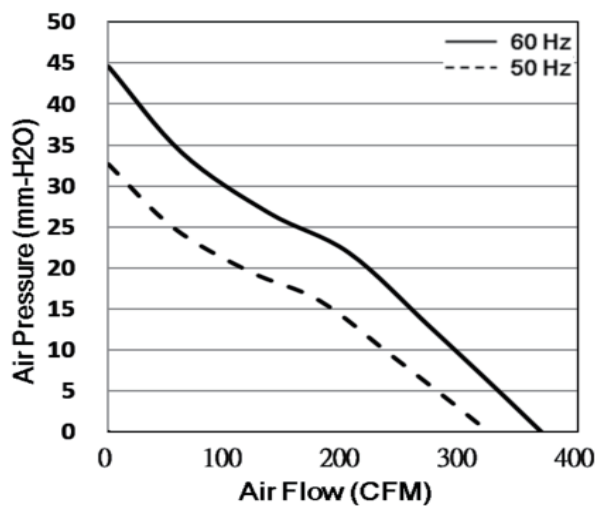
Major Characteristic Parameters

Model	Bearing System	Rated Voltage	Freq.	Input Power	Rated Speed	Maximum Air Flow		Maximum Static Pressure		Sound Level	Weight
Part NO.	B / S	V	Hz	Watt	RPM	m ³ /min	CFM	mm-H ₂ O	In-H ₂ O	dBA	KG
B5AA1968BAH3WAW	B	110	50/60	64/77	2500/2800	9.17/10.45	324/369	32.7/44.6	1.29/1.76	64/67	1.28
B5AA1968BBH3WAW	B	230	50/60	64/77	2500/2800	9.17/10.45	324/369	32.7/44.6	1.29/1.76	64/67	1.28

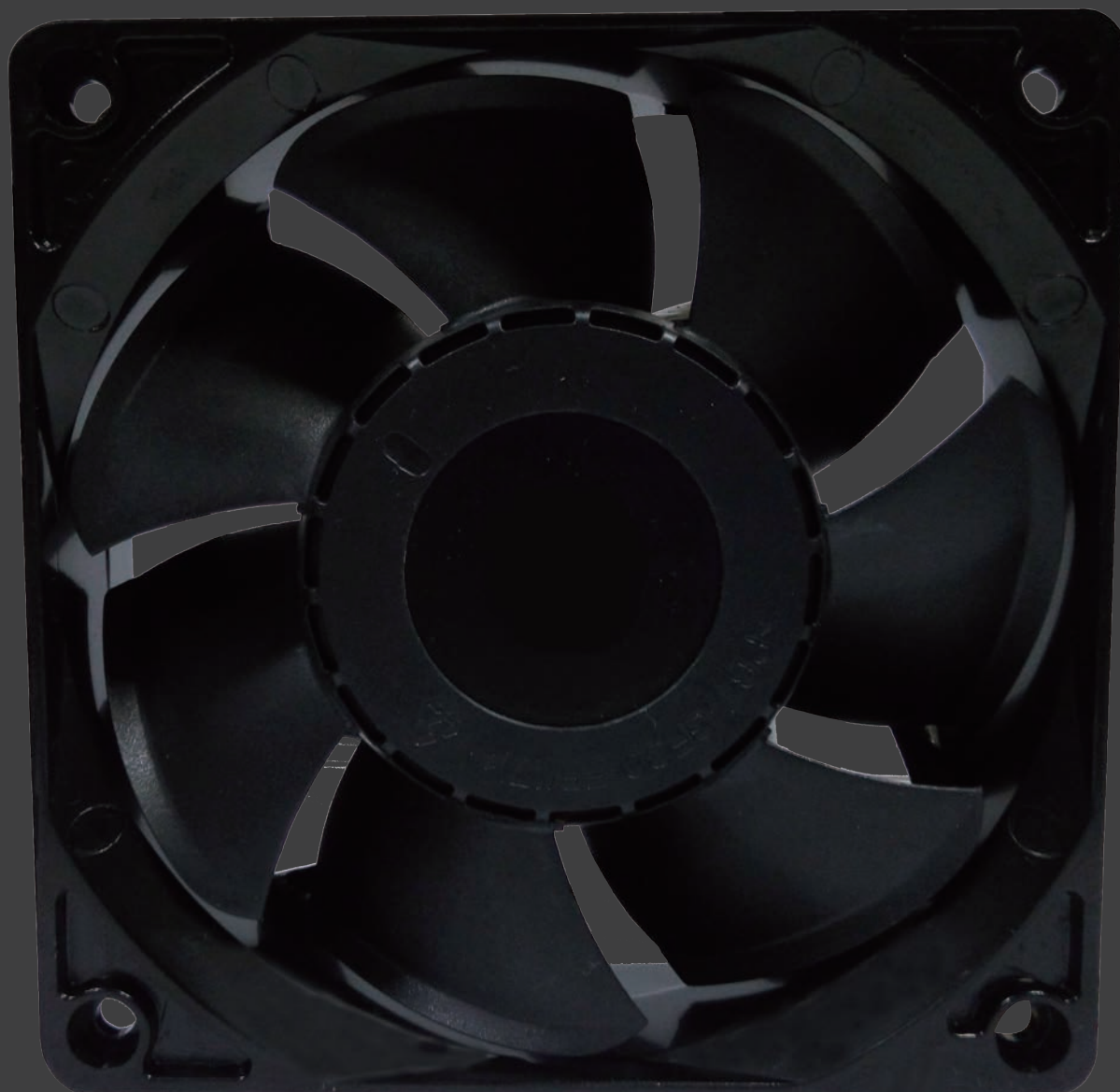
*All reading are typical values at rated voltage

*Specifications are subject to change without notice

* Bearing system B: Two Ball Bearing S: Sleeve Bearing



EC Axial Fans



BRUSHLESS EC AXIAL FAN



ECDA SERIES 120*120*38 mm

- Frame: Thermoplastic PBT +30%GF(UL94V-0).
- Impeller: Thermoplastic PBT +15%GF(UL94V-0).
- Storage temperature: -40°C to +75°C
- Operating temperature: -10°C to +70°C(B) / +60°C(R/S).

Major Characteristic Parameters

Model	Bearing System	Rated Voltage	Operating Voltage Range	Rated Current	Rated Power	Rated Speed	Maximum Air Flow		Maximum Static Pressure		Sound Level
Part NO.	B / R / S	V	V	A	Watt	RPM	m ³ /min	CFM	mm-H ₂ O	In-H ₂ O	dBA
ECDA1238BBH	B	220V	90~230	0.2	5	2950	3.01	106.18	8.83	0.35	42.0

(Mark " * " may be researched to be the new current balance or speed rank or the more fit of part number needed if there is the optimal one in future.)

*Function type is optional. *All reading are typical values at rated voltage
 * Bearing system B: Two Ball Bearing R: Hydraulic Bearing S: Sleeve Bearing *Specifications are subject to change without notice
 *Weight : 300g

