

MW2520 SERIES ~ Wire Wound Ferrite Chip Inductors

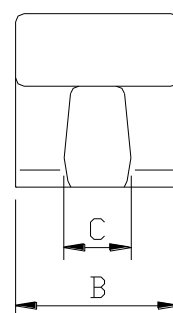
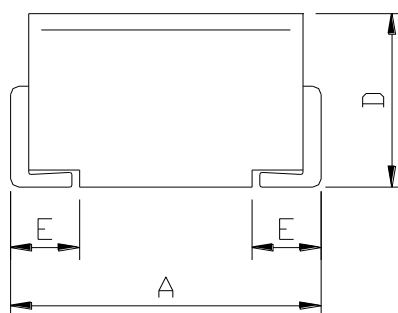
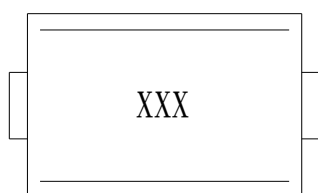


PART NUMBERING SYSTEM

MW	2520	—	1R5J	—	LF
TYPE	DIMENSIONS		INDUCTANCE		LEAD FREE

SHAPES AND DIMENSIONS

UNIT : mm



A=2.5±0.2 B=2.0±0.2 C=1.4±0.1 D=1.8±0.2 E=0.45 Ref.

SPECIFICATION TABLE

PART NUMBER	INDUCTANCE (μ H)	Q. MIN.	TEST FREQ (MHz)	SRF (MHz) MIN.	DCR (Ω) (max)	IDC (mA) (max)
MW2520-R12K-LF	0.12±10%	30	25.2	600	0.37	520
MW2520-R15K-LF	0.15±10%	30	25,2	550	0.42	480
MW2520-R18K-LF	0.18±10%	30	25.2	500	0.46	460
MW2520-R22K-LF	0.22±10%	30	25,2	450	0.52	430
MW2520-R27K-LF	0.27±10%	30	25.2	425	0.60	420
MW2520-R33K-LF	0.33±10%	30	25,2	400	0.65	400
MW2520-R39K-LF	0.39±10%	30	25.2	375	0.68	375
MW2520-R47K-LF	0.47±10%	30	25,2	350	0.75	350
MW2520-R56K-LF	0.56±10%	30	25.2	300	0.85	325



MW2520 SERIES ~ Wire Wound Ferrite Chip Inductors



SPECIFICATION TABLE

PART NUMBER	INDUCTANCE (μ H)	Q. MIN.	TEST FREQ (MHz)	SRF (MHz) MIN.	DCR (Ω) (max)	IDC (mA) (max)
MW2520-R68K-LF	0.68 \pm 10%	30	25.2	270	0.85	300
MW2520-R82K-LF	0.82 \pm 10%	30	25,2	250	1.00	260
MW2520-1R0J-LF	1.0 \pm 5%	30	7.96	245	1.10	245
MW2520-1R2J-LF	1.2 \pm 5%	30	7.96	230	1.20	230
MW2520-1R5J-LF	1.5 \pm 5%	30	7.96	182	1.30	220
MW2520-1R8J-LF	1.8 \pm 5%	30	7.96	135	1.45	210
MW2520-2R2J-LF	2.2 \pm 5%	30	7.96	105	1.55	200
MW2520-2R7J-LF	2.7 \pm 5%	30	7.96	70	1.70	195
MW2520-3R3J-LF	3.3 \pm 5%	30	7.96	55	1.90	185
MW2520-3R9J-LF	3.9 \pm 5%	30	7.96	48	2.10	180
MW2520-4R7J-LF	4.7 \pm 5%	30	7.96	43	2.30	175
MW2520-5R6J-LF	5.6 \pm 5%	25	7.96	42	2.50	170
MW2520-6R8J-LF	6.8 \pm 5%	25	7.96	39	2.70	165
MW2520-8R2J-LF	8.2 \pm 5%	25	7.96	36	3.05	160
MW2520-100J-LF	10.0 \pm 5%	25	2.52	33	3.50	155
MW2520-120J-LF	12.0 \pm 5%	25	2.52	30	3.80	150
MW2520-150J-LF	15.0 \pm 5%	25	2.52	26	4.40	140
MW2520-180J-LF	18.0 \pm 5%	25	2.52	24	4.80	130
MW2520-220J-LF	22.0 \pm 5%	25	2.52	22	5.50	125
MW2520-270J-LF	27.0 \pm 5%	25	2.52	21	6.30	115
MW2520-330J-LF	33.0 \pm 5%	25	2.52	20	7.10	110
MW2520-390J-LF	39.0 \pm 5%	20	2.52	18	9.50	90
MW2520-470J-LF	47.0 \pm 5%	20	2.52	17	11.10	80
MW2520-560J-LF	56.0 \pm 5%	20	2.52	16	12.10	75
MW2520-680J-LF	68.0 \pm 5%	20	2.52	15	16.60	70
MW2520-820J-LF	82.0 \pm 5%	20	2.52	13	19.00	66
MW2520-101J-LF	100 \pm 5%	15	0.769	12	21.00	60

MW3225 SERIES ~ Wire Wound Ferrite Chip Inductors

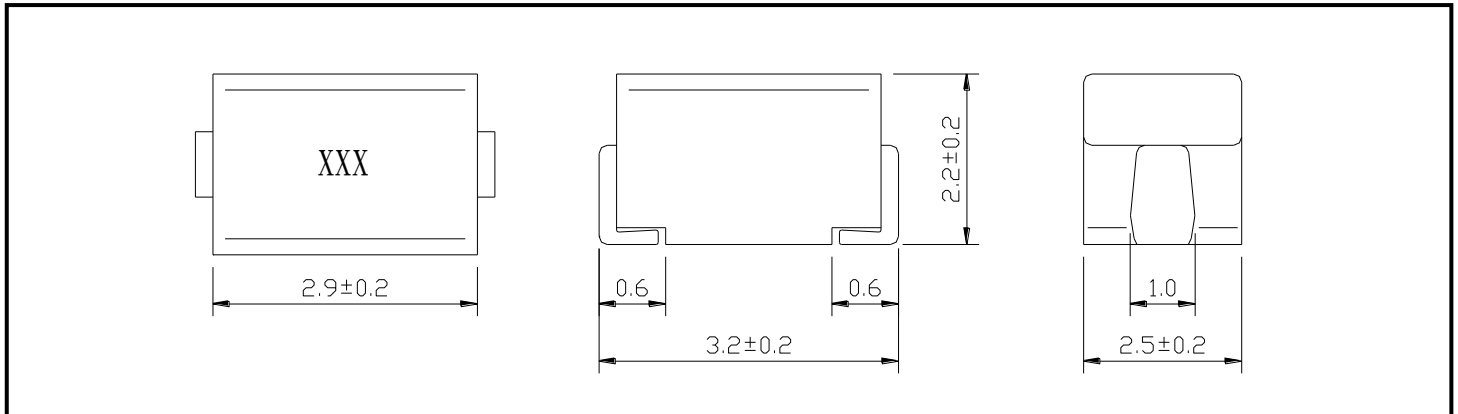


PART NUMBERING SYSTEM

<u>MW</u>	—	<u>3225</u>	—	<u>R33M</u>	—	<u>LF</u>
TYPE		DIMENSIONS		INDUCTANCE		LEAD FREE

SHAPES AND DIMENSIONS

UNIT : mm



FEATURES

- Low DC resistance and high current
- Inductance range from 0.1uH to 100uH
- Precision inductance tolerance is available .
- Application for Personal computers, Hard disk drives , XDSL modern and Cable modern .
- RoHS Compliant .



MW3225 SERIES ~ Wire Wound Ferrite Chip Inductors



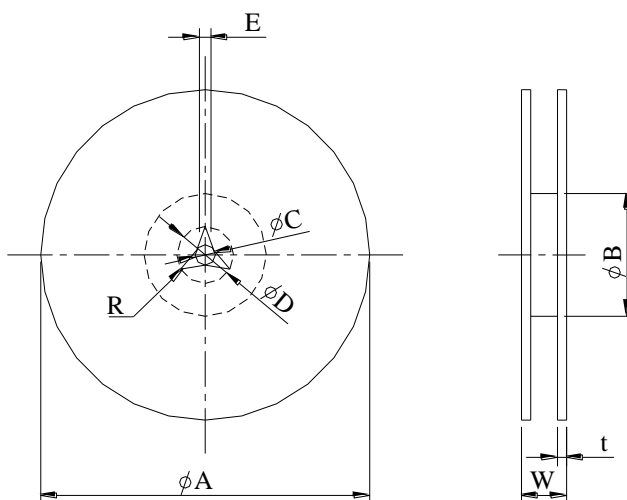
SPECIFICATION TABLE

PART NUMBER	INDUCTANCE (μ H)	Q. MIN.	TEST FREQ (MHz)	SRF (MHz) MIN.	DCR (Ω) (max)	IDC (mA) (max)
MW3225-R10M-LF	0.10 \pm 20%	28	100	700	0.44	450
MW3225-R12M-LF	0.12 \pm 20%	30	25.2	500	0.22	450
MW3225-R15M-LF	0.15 \pm 20%	30	25.2	450	0.25	450
MW3225-R18M-LF	0.18 \pm 20%	30	25.2	400	0.28	450
MW3225-R22M-LF	0.22 \pm 20%	30	25.2	350	0.32	450
MW3225-R27M-LF	0.27 \pm 20%	30	25.2	320	0.36	450
MW3225-R33M-LF	0.33 \pm 20%	30	25.2	300	0.40	400
MW3225-R39M-LF	0.39 \pm 20%	30	25.2	250	0.45	450
MW3225-R47M-LF	0.47 \pm 20%	30	25.2	220	0.50	450
MW3225-R56M-LF	0.56 \pm 20%	30	25.2	180	0.55	450
MW3225-R68M-LF	0.68 \pm 20%	30	25.2	160	0.60	450
MW3225-R82M-LF	0.82 \pm 20%	30	25.2	140	0.65	450
MW3225-1R0K-LF	1.0 \pm 10%	30	7.96	120	0.70	400
MW3225-1R2K-LF	1.2 \pm 10%	30	7.96	100	0.75	390
MW3225-1R5K-LF	1.5 \pm 10%	30	7.96	85	0.85	370
MW3225-1R8K-LF	1.8 \pm 10%	30	7.96	8	0.90	350
MW3225-2R2K-LF	2.2 \pm 10%	30	7.96	75	1.00	320
MW3225-2R7K-LF	2.7 \pm 10%	30	7.96	70	1.10	290
MW3225-3R3K-LF	3.3 \pm 10%	30	7.96	60	1.20	260
MW3225-3R9K-LF	3.9 \pm 10%	30	7.96	55	1.30	250
MW3225-4R7K-LF	4.7 \pm 10%	30	7.96	50	1.50	220
MW3225-5R6K-LF	5.6 \pm 10%	30	7.96	47	1.60	200
MW3225-6R8K-LF	6.8 \pm 10%	30	7.96	43	1.80	180
MW3225-8R2K-LF	8.2 \pm 10%	30	7.96	40	2.00	170
MW3225-100K-LF	10.0 \pm 10%	30	2.52	36	2.10	150
MW3225-120K-LF	12.0 \pm 10%	30	2.52	33	2.50	140
MW3225-150K-LF	15.0 \pm 10%	30	2.52	28	2.80	130
MW3225-180K-LF	18.0 \pm 10%	30	2.52	25	3.30	120
MW3225-220K-LF	22.0 \pm 10%	30	2.52	23	3.70	110
MW3225-270K-LF	27.0 \pm 10%	30	2.52	18	5.00	80
MW3225-330K-LF	33.0 \pm 10%	30	2.52	17	5.60	70
MW3225-390K-LF	39.0 \pm 10%	30	2.52	16	6.40	65
MW3225-470K-LF	47.0 \pm 10%	30	2.52	15	7.00	60
MW3225-560K-LF	56.0 \pm 10%	30	2.52	13	8.00	55
MW3225-680K-LF	68.0 \pm 10%	30	2.52	12	9.00	50
MW3225-820K-LF	82.0 \pm 10%	30	2.52	11	10.00	45
MW3225-101K-LF	100 \pm 10%	20	0.769	10	11.00	40

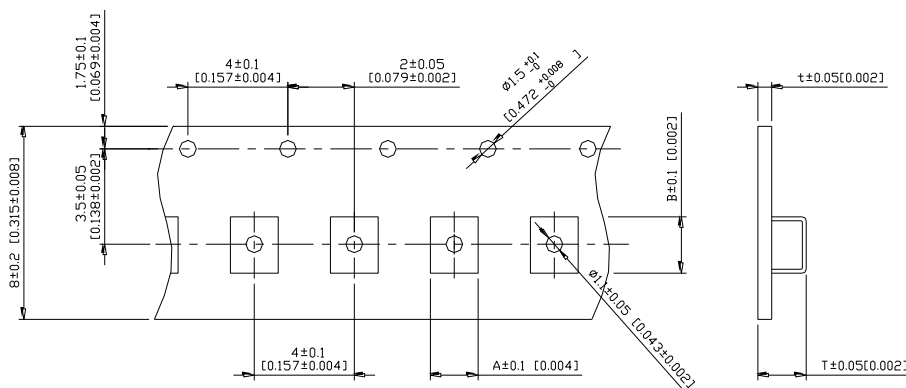
MW3225 SERIES ~ Wire Wound Ferrite Chip Inductors



PACKAGING SPECIFICATION



	A	B	C	D	E	W8	W12	t	R
T($\psi 178\text{mm}$) Reel	$\psi 178 \pm 2$	$\psi 60 \pm 1$	$\psi 13 \pm 0.8$	$\psi 21 \pm 0.8$	2	10 ± 1.5	14.5 ± 1.5	1.27 ± 0.2	1



TYPE	A	B	T	t	T($\psi 178\text{mm}$)	T($\psi 330\text{mm}$)
MW3225	2.90	3.60	1.70	0.25	2000 pcs/reel	-

MW3225C SERIES ~ Wire Wound Ferrite Chip Inductors

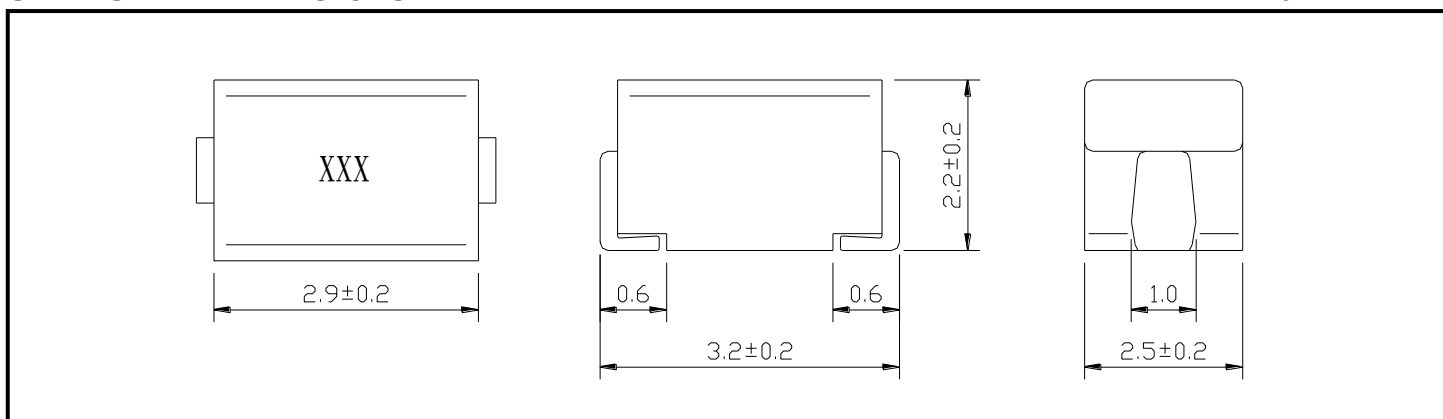


PART NUMBERING SYSTEM

MW	3225C	—	6R8M	—	LF
TYPE	DIMENSIONS		INDUCTANCE		LEAD FREE

SHAPES AND DIMENSIONS

UNIT : mm



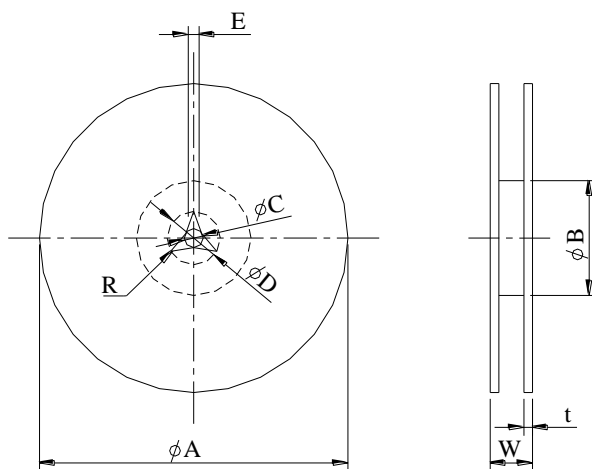
SPECIFICATION TABLE

PART NUMBER	INDUCTANCE (μ H)	Q. MIN.	TEST FREQ (MHz)	SRF (MHz) MIN.	DCR (Ω) (max)	IDC (mA) (max)
MW3225C-1R0M-LF	$1.0 \pm 10\%$	10	7.96	100	0.156	770
MW3225C-1R5M-LF	$1.5 \pm 10\%$	10	7.96	80	0.195	580
MW3225C-2R2M-LF	$2.2 \pm 10\%$	10	7.96	65	0.260	480
MW3225C-3R3M-LF	$3.3 \pm 10\%$	10	7.96	55	0.325	400
MW3225C-4R7M-LF	$4.7 \pm 10\%$	10	7.96	45	0.520	320
MW3225C-6R8M-LF	$6.8 \pm 10\%$	10	7.96	35	0.650	280
MW3225C-100K-LF	$10.0 \pm 10\%$	15	2.52	28	1.105	220
MW3225C-150K-LF	$15.0 \pm 10\%$	15	2.52	25	1.690	180
MW3225C-220K-LF	$22.0 \pm 10\%$	15	2.52	20	2.600	145
MW3225C-330K-LF	$33.0 \pm 10\%$	15	2.52	15	3.640	115
MW3225C-470K-LF	$47.0 \pm 10\%$	20	2.52	13	5.460	105
MW3225C-680K-LF	$68.0 \pm 10\%$	20	2.52	10	8.450	85
MW3225C-101K-LF	$100.0 \pm 10\%$	20	0.796	8	10.140	75

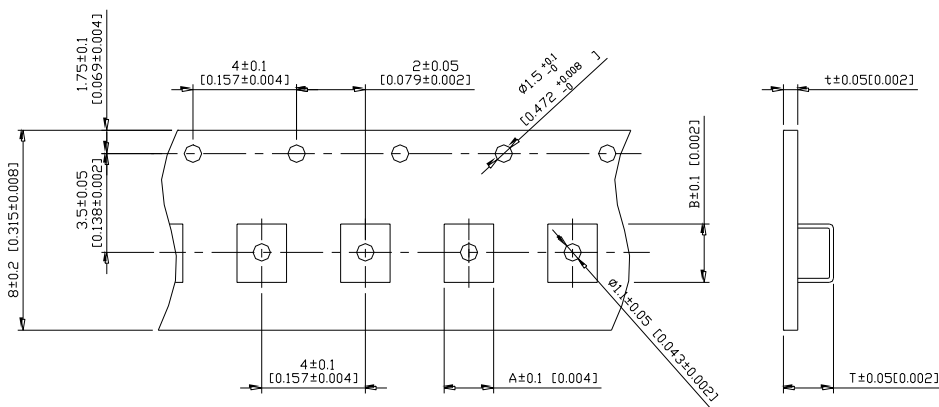
MW3225C SERIES ~ Wire Wound Ferrite Chip Inductors



PACKAGING SPECIFICATION



	A	B	C	D	E	W8	W12	t	R
T($\psi 178\text{mm}$) Reel	$\psi 178 \pm 2$	$\psi 60 \pm 1$	$\psi 13 \pm 0.8$	$\psi 21 \pm 0.8$	2	10 ± 1.5	14.5 ± 1.5	1.27 ± 0.2	1



TYPE	A	B	T	t	T($\psi 178\text{mm}$)	T($\psi 330\text{mm}$)
MW3225C	2.90	3.60	1.70	0.25	2000 pcs/reel	-

MW4532 SERIES ~ Wire Wound Chip Inductors

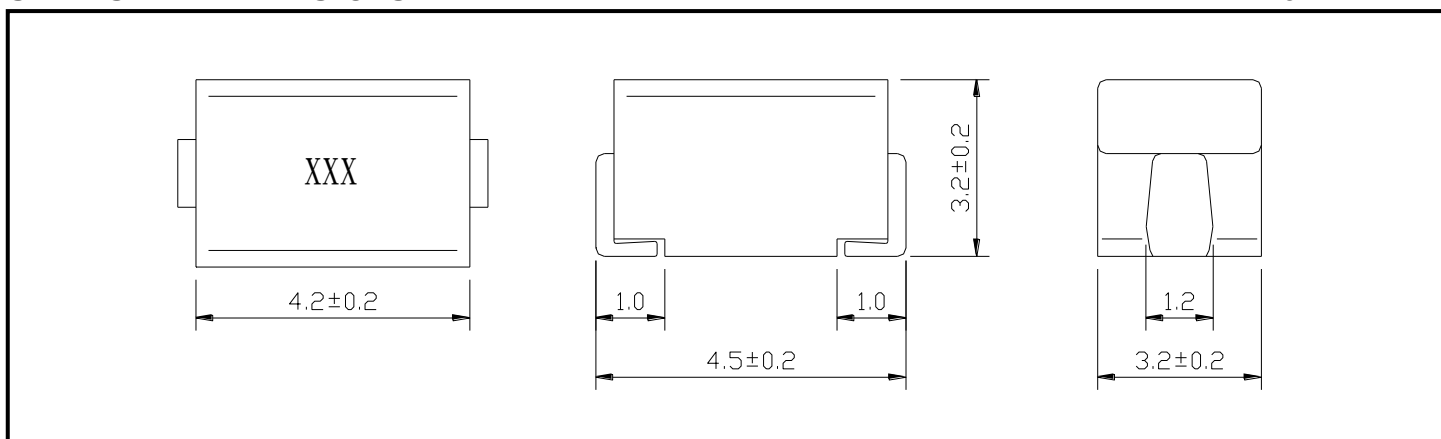


PART NUMBERING SYSTEM

MW	4532	—	2R2K	—	LF
TYPE	DIMENSIONS		INDUCTANCE		LEAD FREE

SHAPES AND DIMENSIONS

UNIT : mm



SPECIFICATION TABLE

PART NUMBER	INDUCTANCE (μ H)	Q. MIN.	TEST FREQ (MHz)	SRF (MHz) MIN.	DCR (Ω) (max)	IDC (mA) (max)
MW4532-R10M-LF	0.10±20%	35	25.2	300	0.18	800
MW4532-R12M-LF	0.12±20%	35	25.2	280	0.20	770
MW4532-R15M-LF	0.15±20%	35	25.2	250	0.22	730
MW4532-R18M-LF	0.18±20%	35	25.2	220	0.24	700
MW4532-R22M-LF	0.22±20%	40	25.2	200	0.25	665
MW4532-R27M-LF	0.27±20%	40	25.2	180	0.26	635
MW4532-R33M-LF	0.33±20%	40	25.2	165	0.28	605
MW4532-R39M-LF	0.39±20%	40	25.2	150	0.30	575
MW4532-R47M-LF	0.47±20%	40	25.2	145	0.32	545
MW4532-R56M-LF	0.56±20%	40	25.2	140	0.36	520
MW4532-R68M-LF	0.68±20%	40	25.2	135	0.40	500
MW4532-R82M-LF	0.82±20%	40	25.2	130	0.45	475
MW4532-1R0K-LF	1.0±10%	50	7.96	100	0.50	450
MW4532-1R2K-LF	1.2±10%	50	7.96	80	0.55	430
MW4532-1R5K-LF	1.5±10%	50	7.96	70	0.60	410
MW4532-1R8K-LF	1.8±10%	50	7.96	60	0.65	390
MW4532-2R2K-LF	2.2±10%	50	7.96	55	0.70	380



MW4532 SERIES ~ Wire Wound Chip Inductors



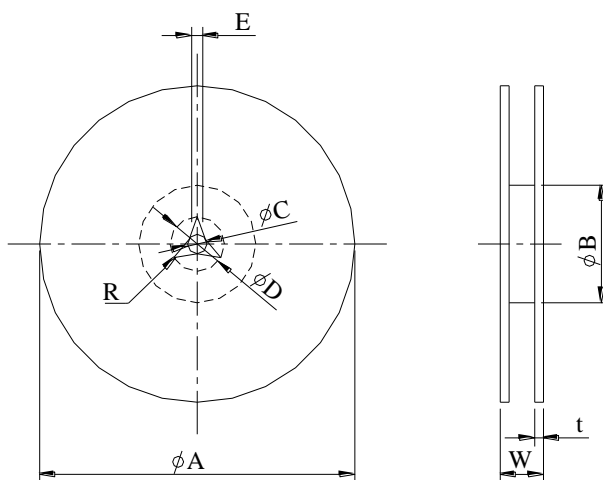
SPECIFICATION TABLE

PART NUMBER	INDUCTANCE (μ H)	Q. MIN.	TEST FREQ (MHz)	SRF (MHz) MIN.	DCR (Ω) (max)	IDC(mA) (max)
MW4532-2R7K-LF	2.7 \pm 10%	50	7.96	50	0.75	370
MW4532-3R3K-LF	3.3 \pm 10%	50	7.96	45	0.80	355
MW4532-3R9K-LF	3.9 \pm 10%	50	7.96	40	0.90	330
MW4532-4R7K-LF	4.7 \pm 10%	50	7.96	35	1.00	315
MW4532-5R6K-LF	5.6 \pm 10%	50	7.96	33	1.10	300
MW4532-6R8K-LF	6.8 \pm 10%	50	7.96	27	1.20	285
MW4532-8R2K-LF	8.2 \pm 10%	50	7.96	25	1.40	270
MW4532-100K-LF	10.0 \pm 10%	50	2.52	20	1.60	250
MW4532-120K-LF	12.0 \pm 10%	50	2.52	18	2.00	225
MW4532-150K-LF	15.0 \pm 10%	50	2.52	17	2.50	200
MW4532-180K-LF	18.0 \pm 10%	50	2.52	15	2.80	190
MW4532-220K-LF	22.0 \pm 10%	50	2.52	13	3.20	180
MW4532-270K-LF	27.0 \pm 10%	50	2.52	12	3.60	170
MW4532-330K-LF	33.0 \pm 10%	50	2.52	11	4.00	160
MW4532-390K-LF	39.0 \pm 10%	50	2.52	10	4.50	150
MW4532-470K-LF	47.0 \pm 10%	50	2.52	10	5.00	140
MW4532-560K-LF	56.0 \pm 10%	50	2.52	9.0	5.50	135
MW4532-680K-LF	68.0 \pm 10%	50	2.52	9.0	6.00	130
MW4532-820K-LF	82.0 \pm 10%	50	2.52	8.0	7.00	120
MW4532-101K-LF	100 \pm 10%	40	0.769	8.0	8.00	110
MW4532-121K-LF	120 \pm 10%	40	0.769	6.0	8.00	110
MW4532-151K-LF	150 \pm 10%	40	0.769	5.0	9.00	105
MW4532-181K-LF	180 \pm 10%	40	0.769	5.0	9.50	102
MW4532-221K-LF	220 \pm 10%	40	0.769	4.0	10.0	100
MW4532-271K-LF	270 \pm 10%	40	0.769	4.0	12.0	92
MW4532-331K-LF	330 \pm 10%	40	0.769	3.5	14.0	85
MW4532-391K-LF	390 \pm 10%	40	0.769	3.0	18.0	80
MW4532-471K-LF	470 \pm 10%	40	0.769	3.0	26.0	62
MW4532-561K-LF	560 \pm 10%	30	0.769	3.0	30.0	50
MW4532-681K-LF	680 \pm 10%	30	0.769	3.0	30.0	50
MW4532-821K-LF	820 \pm 10%	30	0.769	2.5	35.0	30
MW4532-102K-LF	1000 \pm 10%	20	0.252	2.5	40.0	30

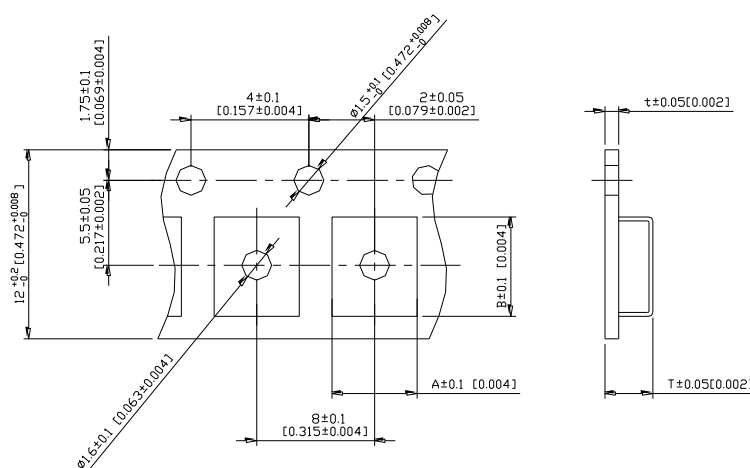
MW4532 SERIES ~ Wire Wound Chip Inductors



PACKAGING SPECIFICATION



	A	B	C	D	E	W8	W12	t	R
T(ψ178mm) Reel	ψ178±2	ψ60±1	ψ13±0.8	ψ21±0.8	2	10±1.5	14.5±1.5	1.27±0.2	1



TYPE	A	B	T	t	T(ψ178mm)	T(ψ330mm)
MW4532	3.60	4.90	2.05	0.3	500 pcs/reel	-

MW4532C SERIES ~ Wire Wound Ferrite Chip Inductors



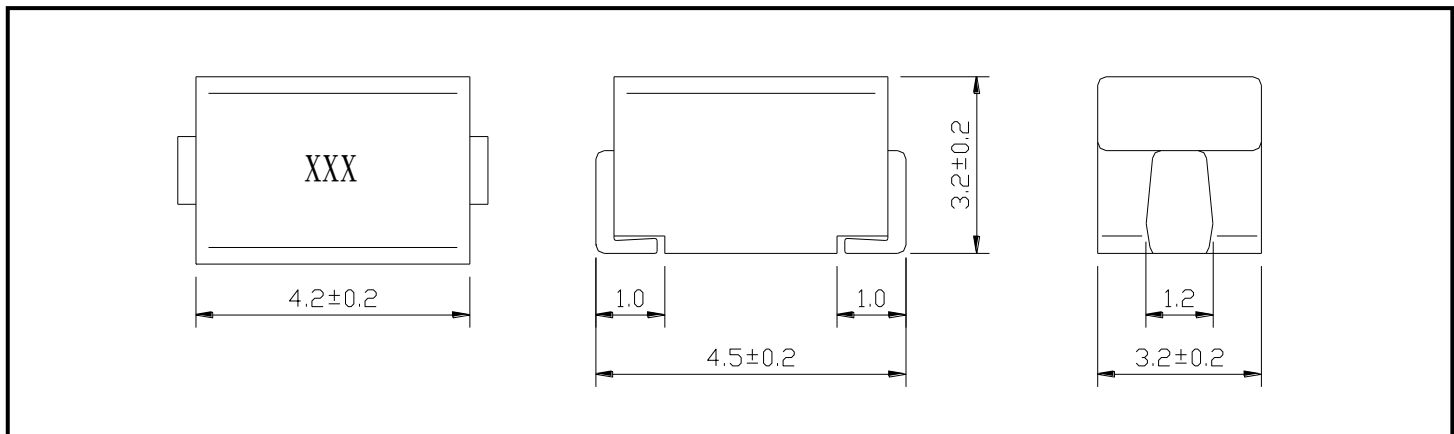
Wire Wound Chip Inductors Large Current

PART NUMBERING SYSTEM

MW	4 5 3 2 C	—	R 1 0 M	—	L F
TYPE	DIMENSIONS		INDUCTANCE		LEAD FREE

SHAPES AND DIMENSIONS

UNIT : mm



SPECIFICATION TABLE

PART NUMBER	INDUCTANCE (μ H)	Q. MIN.	TEST FREQ (MHz)	SRF (MHz) MIN.	DCR (Ω) (max)	IDC (mA) (max)
MW4532C-1R0K-LF	1.0±10%	10	7.96	200	0.11	1050
MW4532C-1R2K-LF	1.2±10%	10	7.96	160	0.12	1000
MW4532C-1R5K-LF	1.5±10%	10	7.96	130	0.15	950
MW4532C-1R8K-LF	1.8±10%	10	7.96	100	0.16	900
MW4532C-2R2K-LF	2.2±10%	10	7.96	80	0.18	850
MW4532C-2R7K-LF	2.7±10%	10	7.96	60	0.20	800
MW4532C-3R3K-LF	3.3±10%	10	7.96	45	0.22	750
MW4532C-3R9K-LF	3.9±10%	10	7.96	40	0.24	700
MW4532C-4R7K-LF	4.7±10%	10	7.96	35	0.27	650
MW4532C-5R6K-LF	5.6±10%	10	7.96	30	0.30	650
MW4532C-6R8K-LF	6.8±10%	10	7.96	28	0.35	600
MW4532C-8R2K-LF	8.2±10%	10	7.96	25	0.40	600



MW4532C SERIES ~ Wire Wound Ferrite Chip Inductors



Wire Wound Chip Inductors Large Current

SPECIFICATION TABLE

PART NUMBER	INDUCTANCE (μ H)	Q. MIN.	TEST FREQ (MHz)	SRF (MHz) MIN.	DCR (Ω) (max)	IDC(mA) (max)
MW4532C-100K-LF	10.0 \pm 10%	10	2.52	22	0.50	550
MW4532C-120K-LF	12.0 \pm 10%	10	2.52	21	0.60	500
MW4532C-150K-LF	15.0 \pm 10%	10	2.52	20	0.70	450
MW4532C-180K-LF	18.0 \pm 10%	10	2.52	19	0.80	400
MW4532C-220K-LF	22.0 \pm 10%	10	2.52	18	0.90	370
MW4532C-270K-LF	27.0 \pm 10%	10	2.52	16	1.2	330
MW4532C-330K-LF	33.0 \pm 10%	10	2.52	14	1.4	300
MW4532C-390K-LF	39.0 \pm 10%	10	2.52	12	1.6	280
MW4532C-470K-LF	47.0 \pm 10%	10	2.52	11.5	1.9	260
MW4532C-560K-LF	56.0 \pm 10%	10	2.52	11.0	2.2	240
MW4532C-680K-LF	68.0 \pm 10%	10	2.52	10.0	2.6	220
MW4532C-820K-LF	82.0 \pm 10%	10	2.52	9.0	3.5	200
MW4532C-101K-LF	100 \pm 10%	20	0.796	8.0	4.0	180
MW4532C-121K-LF	120 \pm 10%	20	0.796	7.5	4.5	160
MW4532C-151K-LF	150 \pm 10%	20	0.796	7.0	6.5	140
MW4532C-181K-LF	180 \pm 10%	20	0.796	6.5	7.5	120
MW4532C-221K-LF	220 \pm 10%	20	0.796	5.5	9	120
MW4532C-271K-LF	270 \pm 10%	20	0.796	5.0	11	100
MW4532C-331K-LF	330 \pm 10%	20	0.796	4.0	13	90
MW4532C-391K-LF	390 \pm 10%	20	0.796	3.8	23	80
MW4532C-471K-LF	470 \pm 10%	20	0.796	3.5	26	75
MW4532C-561K-LF	560 \pm 10%	20	0.796	2.8	30	70
MW4532C-681K-LF	680 \pm 10%	20	0.796	2.6	40	65
MW4532C-821K-LF	820 \pm 10%	20	0.796	2.5	45	60
MW4532C-102K-LF	1000 \pm 10%	20	0.796	2.3	50	55

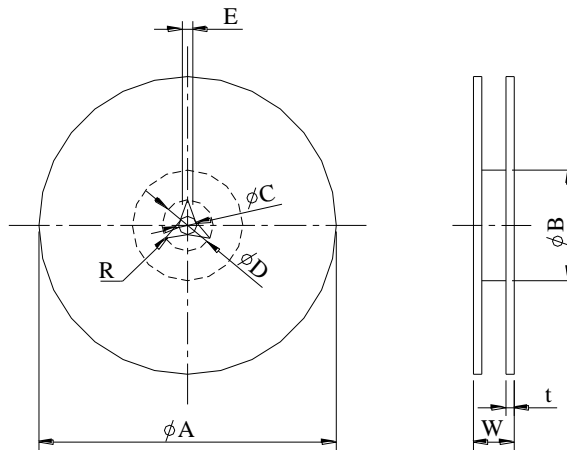


MW4532C SERIES ~ Wire Wound Ferrite Chip Inductors

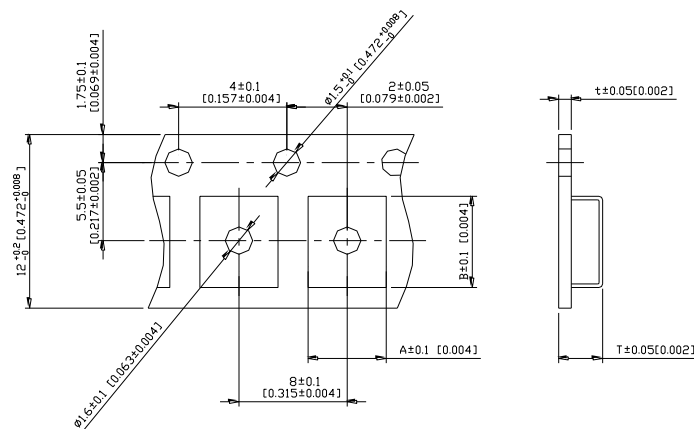


Wire Wound Chip Inductors Large Current

PACKAGING SPECIFICATION



	A	B	C	D	E	W8	W12	t	R
T($\psi 178\text{mm}$) Reel	$\psi 178 \pm 2$	$\psi 60 \pm 1$	$\psi 13 \pm 0.8$	$\psi 21 \pm 0.8$	2	10 ± 1.5	14.5 ± 1.5	1.27 ± 0.2	1



TYPE	A	B	T	t	T($\psi 178\text{mm}$)	T($\psi 330\text{mm}$)
MW4532C	3.60	4.90	2.05	0.3	500 pcs/reel	-

MW5650 SERIES ~ Wire Wound Chip Inductors

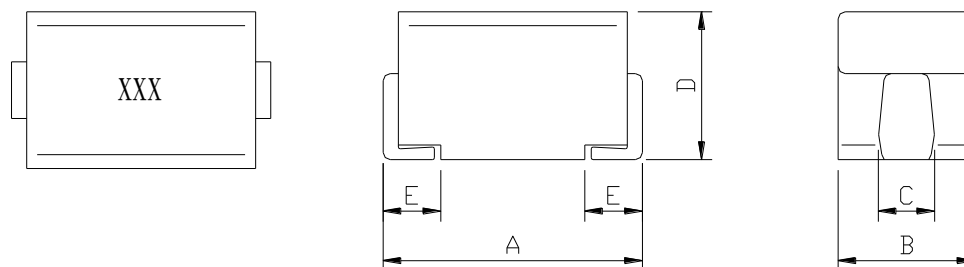


PART NUMBERING SYSTEM

MW	5 6 5 0	—	1 R 0 K	—	LF
TYPE	DIMENSIONS		INDUCTANCE		LEAD FREE

SHAPES AND DIMENSIONS

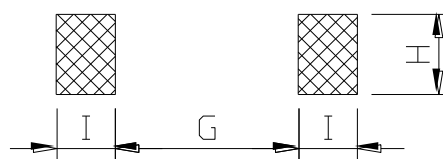
UNIT : mm



A=5.6±0.3 B=5.0±0.3 C=4.0±0.2 D=5.3 Max. E=1.0 Ref.

RECOMMENDED PATTERNS

UNIT : mm



G=4.0 H=4.5 I=2.0

FEAUTES

- Low DC resistance and high current
- Inductance range from 1uH to 10000uH
- Application for Personal computers, Hard disk drives , XDSL modern and Cable modern .
- RoHS Compliant .

MW5650 SERIES ~ Wire Wound Chip Inductors



SPECIFICATION TABLE

PART NUMBER	INDUCTANCE (μ H)	Q. MIN.	TEST FREQ (MHz)	SRF (MHz) MIN.	DCR (Ω) (max)	IDC (mA) (max)
MW5650-1R0K-LF	1.0 \pm 10%	10	7.96	95	0.030	1800
MW5650-1R2K-LF	1.2 \pm 10%	10	7.96	70	0.035	1700
MW5650-1R5K-LF	1.5 \pm 10%	10	7.96	55	0.04	1600
MW5650-1R8K-LF	1.8 \pm 10%	10	7.96	47	0.05	1400
MW5650-2R2K-LF	2.2 \pm 10%	10	7.96	42	0.06	1300
MW5650-2R7K-LF	2.7 \pm 10%	10	7.96	37	0.07	1200
MW5650-3R3K-LF	3.3 \pm 10%	10	7.96	34	0.08	1120
MW5650-3R9K-LF	3.9 \pm 10%	10	7.96	32	0.09	1050
MW5650-4R7K-LF	4.7 \pm 10%	10	7.96	29	0.11	950
MW5650-5R6K-LF	5.6 \pm 10%	10	7.96	26	0.13	880
MW5650-6R8K-LF	6.8 \pm 10%	10	7.96	24	0.15	810
MW5650-8R2K-LF	8.2 \pm 10%	10	7.96	22	0.18	750
MW5650-100K-LF	10.0 \pm 10%	10	2.52	19	0.21	690
MW5650-120K-LF	12.0 \pm 10%	10	2.52	17	0.25	630
MW5650-150K-LF	15.0 \pm 10%	10	2.52	16	0.30	580
MW5650-180K-LF	18.0 \pm 10%	10	2.52	14	0.36	530
MW5650-220K-LF	22.0 \pm 10%	10	2.52	13	0.43	480
MW5650-270K-LF	27.0 \pm 10%	10	2.52	11.5	0.52	440
MW5650-330K-LF	33.0 \pm 10%	10	2.52	10.5	0.62	400
MW5650-390K-LF	39.0 \pm 10%	10	2.52	9.5	0.72	370
MW5650-470K-LF	47.0 \pm 10%	10	2.52	8.5	0.85	340
MW5650-560K-LF	56.0 \pm 10%	10	2.52	7.8	1.0	310
MW5650-680K-LF	68.0 \pm 10%	10	2.52	7.0	1.2	290
MW5650-820K-LF	82.0 \pm 10%	10	2.52	6.4	1.4	270

- Rated DC current : Base on temperature rise not to exceed at 20°C and inductance is 90% more than its nominal value.
- Operating temperature : -40°C to 105°C.



MW5650 SERIES ~ Wire Wound Chip Inductors



SPECIFICATION TABLE

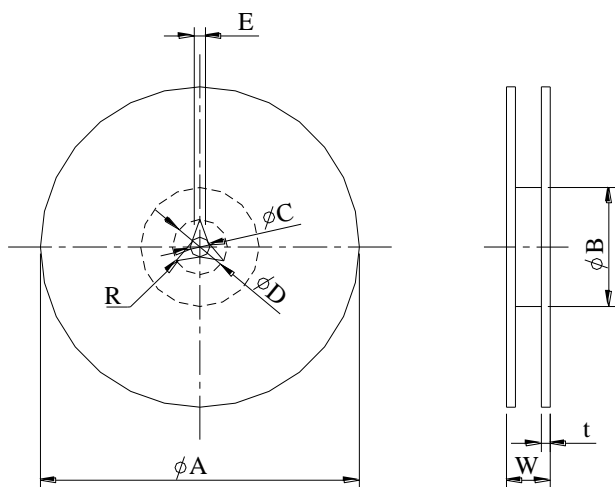
PART NUMBER	INDUCTANCE (μ H)	Q. MIN.	TEST FREQ (MHz)	SRF (MHz) MIN.	DCR (Ω) (max)	IDC (mA) (max)
MW5650-101K-LF	100 \pm 10%	20	0.796	6.0	1.6	250
MW5650-121K-LF	120 \pm 10%	20	0.796	5.4	1.9	230
MW5650-151K-LF	150 \pm 10%	20	0.796	4.8	2.2	210
MW5650-181K-LF	180 \pm 10%	20	0.796	4.4	2.8	190
MW5650-221K-LF	220 \pm 10%	20	0.796	3.9	3.4	170
MW5650-271K-LF	270 \pm 10%	20	0.796	3.6	4.2	155
MW5650-331K-LF	330 \pm 10%	20	0.796	3.2	4.9	140
MW5650-391K-LF	390 \pm 10%	20	0.796	2.9	5.8	130
MW5650-471K-LF	470 \pm 10%	20	0.796	2.6	7.0	120
MW5650-561K-LF	560 \pm 10%	20	0.796	2.4	8.5	110
MW5650-681K-LF	680 \pm 10%	20	0.796	2.2	10	100
MW5650-821K-LF	820 \pm 10%	20	0.796	2.0	13	90
MW5650-102K-LF	1000 \pm 10%	20	0.252	1.8	15	85
MW5650-122J-LF	1200 \pm 5%	20	0.252	1.5	17	75
MW5650-152J-LF	1500 \pm 5%	20	0.252	1.4	20	70
MW5650-182J-LF	1800 \pm 5%	20	0.252	1.3	30	60
MW5650-222J-LF	2200 \pm 5%	20	0.252	1.2	35	55
MW5650-272J-LF	2700 \pm 5%	20	0.252	1.1	55	45
MW5650-332J-LF	3300 \pm 5%	20	0.252	1.0	60	40
MW5650-392J-LF	3900 \pm 5%	20	0.252	1.0	70	38
MW5650-472J-LF	4700 \pm 5%	20	0.252	0.9	78	36
MW5650-562J-LF	5600 \pm 5%	20	0.252	0.8	85	33
MW5650-682J-LF	6800 \pm 5%	20	0.252	0.7	110	30
MW5650-822J-LF	8200 \pm 5%	20	0.252	0.6	125	28
MW5650-103J-LF	10000 \pm 5%	15	0.0796	0.5	150	25

- Rated DC current : Base on temperature rise not to exceed at 20°C and inductance is 90% more than its nominal value.
- Operating temperature : -40°C to 105°C.

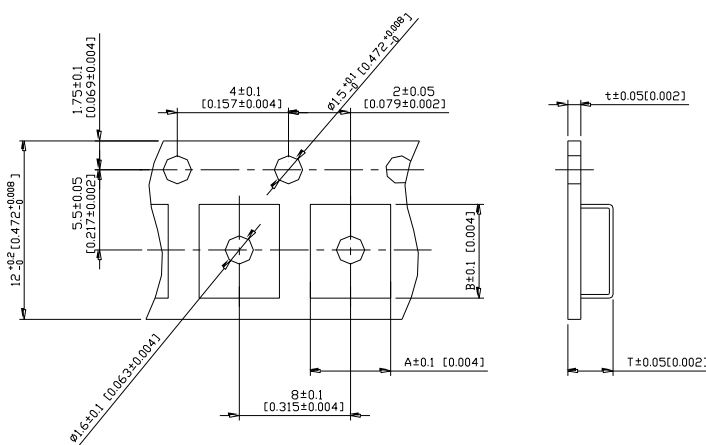
MW5650 SERIES ~ Wire Wound Chip Inductors



PACKAGING SPECIFICATION



	A	B	C	D	E	W8	W12	t	R
T($\psi 330\text{mm}$) Reel	$\psi 330$	—	$\psi 13 \pm 1.0$	$\psi 23 \pm 1.0$	2.5 ± 0.5	—	—	—	—



TYPE	A	B	T	t	T($\psi 330\text{mm}$)
MW5650	—	—	—	—	1000 pcs/reel