



ONE - STOP ENCLOSURE MANUFACTURER

精工壳体一站式服务商



# AK-DR SERIES

## DIN RAIL ENCLOSURE

AK - DR 系列 导轨 外壳

Whatsapp / Mobile: +86-13723481458

Tel: 86-755-83222882

E-mail: ivy@szomk.com.cn

Web: www.chinaenclosure.com

ADD: 616 Room,505 Building,Shangbu

industry,Hangtian road,Futian

district.Shenzhen.China

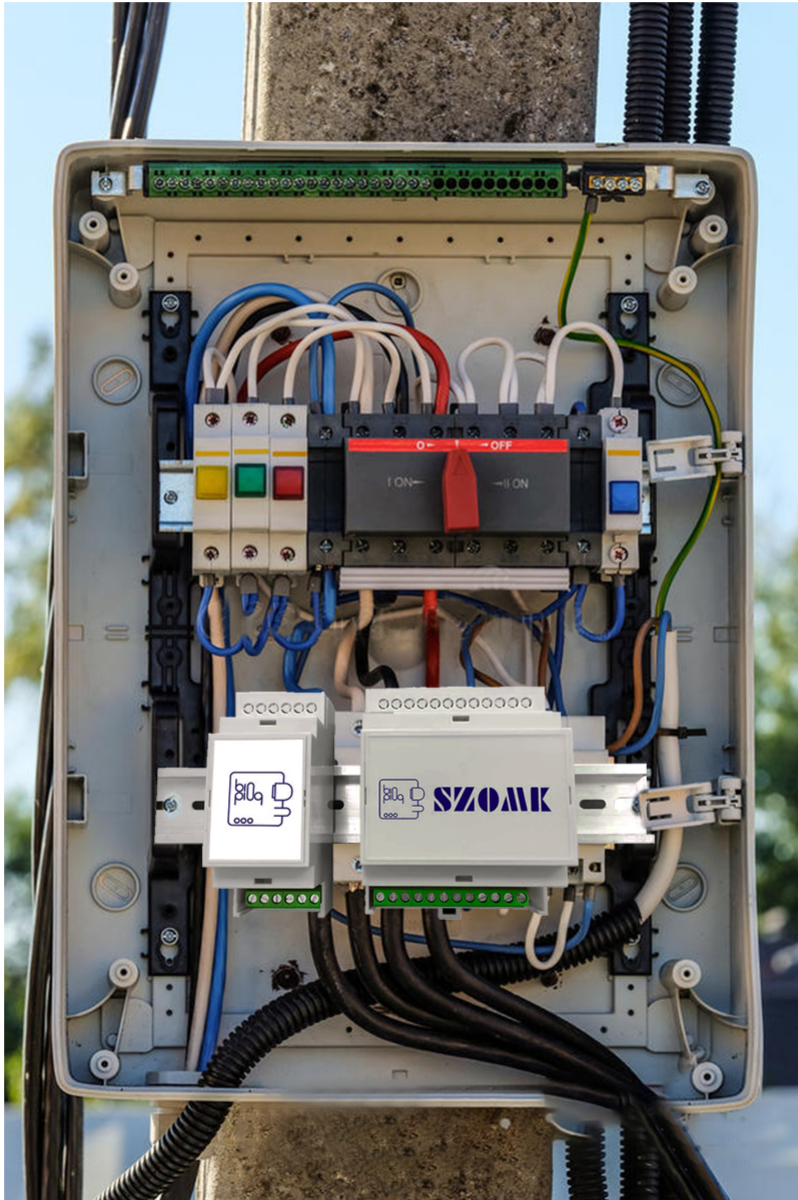
深圳市福田区航天路上步工业区505栋616室

Room 101, Building 1, No. 267, Zhen'an West Road,

Chang'an Town, Dongguan City

东莞市长安镇长安振安西路267号1栋101室

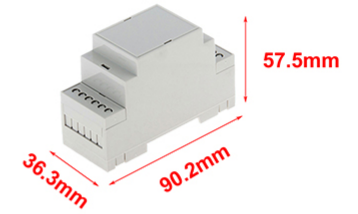
SHENZHEN OMK ELECTRONICS CO.,LTD  
深圳市奥科姆电子有限公司



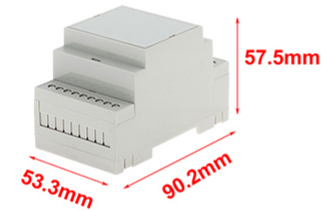
## SIZE LIST



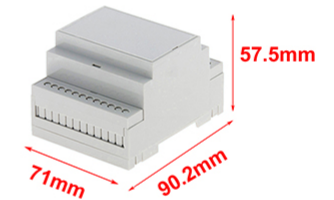
**AK-DR-101**  
18.1x90.2x57.5mm



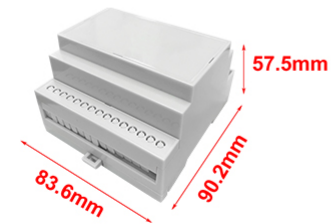
**AK-DR-102**  
36.3x90.2x57.5mm



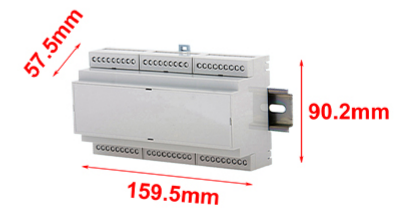
**AK-DR-103**  
53.3x90.2x57.5mm



**AK-DR-104**  
71x90.2x57.5mm



**AK-DR-105**  
83.6x90.2x57.5mm



**AK-DR-106**  
159.5x90.2x57.5mm

## PRODUCT PARAMETERS

**Product Name:**

Din Rail Enclosure

**Material:**

PC

**For Use With:**

TH35

**Flame Retardant Rating**

UL94-V0

**Application:**

Protection Box

**Terminal Guards:**

5.08mm



\* The product and the actual product may have some color differences due to differences in the display. Those who mind taking photos should be cautious

## INSTALL INTRODUCE

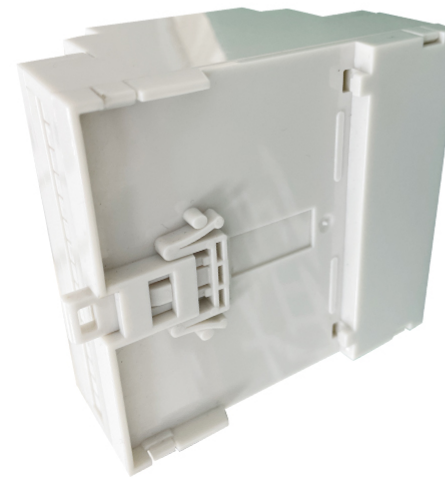
1

Removable Terminal Guard



2

Wall Clip-Easy to Install





3

For Use With TH35



## SIZE INFORMATION

| Product Model | External Size (mm) | Material | Flame Retardant Rating | Terminal Guards |
|---------------|--------------------|----------|------------------------|-----------------|
| AK-DR-101     | 18.1x90.2x57.5     | PC       | UL94-V0                | 5.08mm          |
| AK-DR-102     | 36.3x90.2x57.5     | PC       | UL94-V0                | 5.08mm          |
| AK-DR-103     | 53.3x90.2x57.5     | PC       | UL94-V0                | 5.08mm          |
| AK-DR-104     | 71x90.2x57.5       | PC       | UL94-V0                | 5.08mm          |
| AK-DR-105     | 83.6x90.2x57.5     | PC       | UL94-V0                | 5.08mm          |
| AK-DR-106     | 159.5x90.2x57.5    | PC       | UL94-V0                | 5.08mm          |

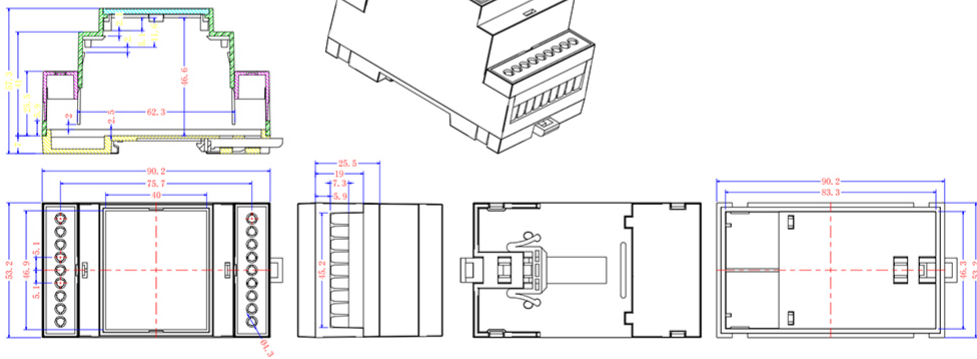
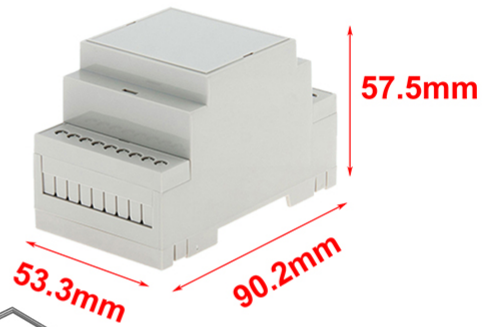
## PROCESSING CUSTOMIZATION

Cutout, Silkscreen Printing, Pad Printing, Laser Engraving, UV printing, Sticker, Acrylic Plate, Oil Painting, Surface Treatment

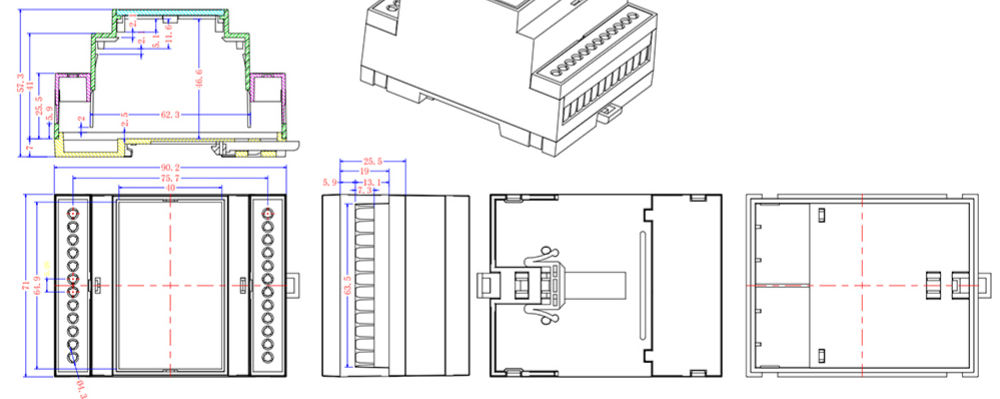
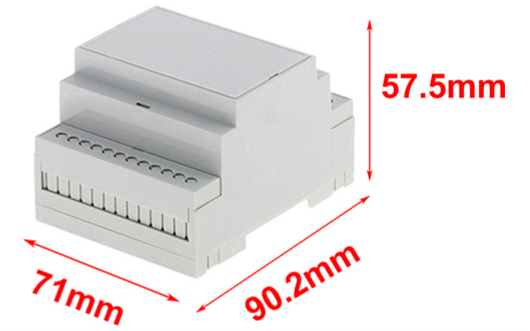




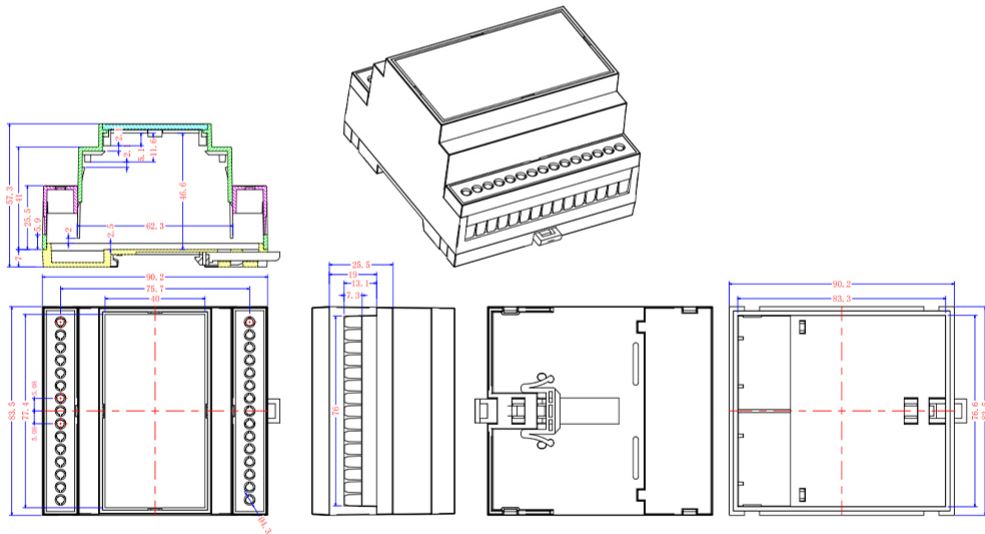
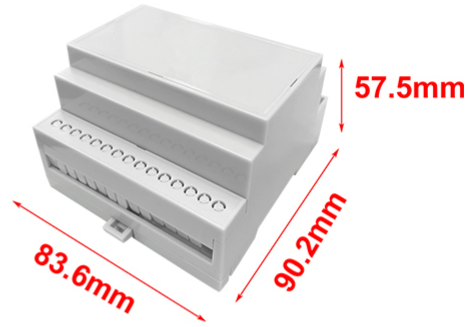
**AK-DR-103** 53.3x90.2x57.5 mm



**AK-DR-104** 71x90.2x57.5 mm



**AK-DR-105** 83.6x90.2x57.5 mm



**AK-DR-106** 159.5x90.2x57.5 mm

