



TC1608 Series ~ High Current Power Choke



PART NUMBERING SYSTEM

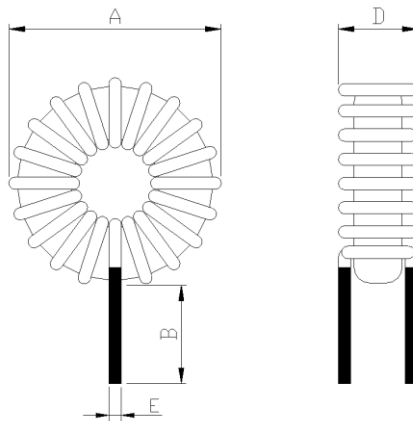
TC	1608	—	2R2M	—	LF
TYPE	DIMENSIONS		INDUCTANCE		LEAD FREE

FEATURES :

- Highest common mode impedance over the widest frequency range.
- 1500 Vrms, one minute isolation between windings
- Inductance range: 1.2 μ H – 47 μ H
- Inductance values up to 47 μ H; current ratings as high as 3 Amps.
- RoHS-compliant. Tin-silver over copper terminations.

SHAPES AND DIMENSIONS :

UNIT : mm



A=19.5 Max. B=10.0 Ref. D=12.0 Max. E=0.8 Ref.



TC1608 Series ~ High Current Power Choke



SPECIFICATION TABLE

PART NUMBER	INDUCTANCE (μ H)	I _{rms} (A) (Typ.)	DCR (m Ω) (Max.)
TC1608-1R2-LF	1.2	20.2	2.2
TC1608-3R3-LF	3.3	11.1	6.7
TC1608-3R9-LF	3.9	10.5	7.4
TC1608-4R7-LF	4.7	10.1	7.7
TC1608-6R8-LF	6.8	7.2	13.0
TC1608-100-LF	10.0	6.6	15.0
TC1608-150-LF	15.0	4.7	29.0
TC1608-180-LF	18.0	4.5	32.0
TC1608-220-LF	22.0	4.3	35.0
TC1608-330-LF	33.0	3.5	54.0
TC1608-470-LF	47.0	3.2	64.0

- I_{rms} : Average current for a 40°C temperature rise above 25°C ambient.
- The tolerance for Inductance value is $\pm 20\%$
- Test Frequency at 1KHz
- Operating temperature range -40°C to +105°C , Electrical specifications at 25°C.